

User Manual **Rack Mount Display Monitor - 4K**



RMB-17W- 4K

7U 17.3 inch Rack Mount Display Monitor

Options :

- DC 9~36V power input
- Touchscreen
- AR hardness glass



Contents

< Part. 1 > RMB-17W-4K

- | | | |
|-----|-------------------------------|---------|
| 1.1 | Package Content | P.1 |
| 1.2 | Structure Diagram & Dimension | P.1 - 2 |
| 1.3 | Installation | |

< Part. 2 > Specifications / OSD

- | | | |
|-----|-------------------------------------|---------|
| 2.1 | Product Specifications | P.4 - 5 |
| 2.2 | On-screen Display Operation (OSD) | P.6 |

< Part. 3 > Options

- | | | |
|-----|-------------|-----|
| 3.1 | Touchscreen | P.7 |
|-----|-------------|-----|

Before Installation

- It is very important to mount the equipment in a suitable cabinet or on a stable surface.
- Make sure the place has a good ventilation, is out of direct sunlight, away from sources of excessive dust, dirt, heat, water, moisture and vibration.

Unpacking

The equipment comes with the standard parts shown in package content. Check and make sure they are included and in good condition. If anything is missing, or damaged, contact the supplier immediately.

How To Clean Your LCD Monitor



Caution :

- To avoid the risk of electric shock, make sure your hands are dry before unplugging your monitor from or plugging your monitor into an electrical outlet.
- When you clean your monitor, do not press down on the LCD screen. Pressing down on the screen can scratch or damage your display. Pressure damage is not covered under warranty.
- Use only cleansers made specifically for cleaning monitors and monitor screens. Cleansers not made to clean monitors and monitor screens can scratch the LCD display or strip off the finish.
- Do not spray any kind of liquid directly onto the screen or case of your monitor. Spraying liquids directly onto the screen or case can cause damage which is not covered under warranty.
- Do not use paper towels or abrasive pads to clean your monitor. Using an abrasive pad or any wood based paper product such as paper towels can scratch your LCD screen.

Cleaning Your Monitor

To clean your LCD safely, please follow these steps :

- ① Disconnect the power cord.
- ② Gently wipe the surface using a clean, dry microfiber cloth. Use as little pressure as possible.

Cleaning Tough Marks and Smudges

To remove tough marks and smudges, please follow these steps :

- ① Disconnect the power cord.
- ② Spray a small amount of non-abrasive cleanser on a microfiber cloth.



Caution : Do not spray or apply any liquids directly onto the monitor. Always apply the solution to your microfiber cloth first, not directly on the parts you are cleaning.

- ③ Gently wipe the surface. Use as little pressure as possible.
- ④ Wait until your monitor is completely dry before plugging it in and powering it up.

< Part 1 >

< 1.1 > Package Content

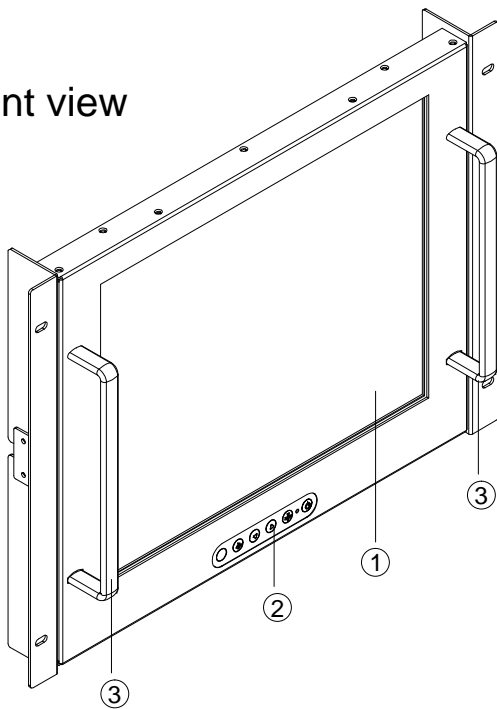


Rack mount monitor unit X 1

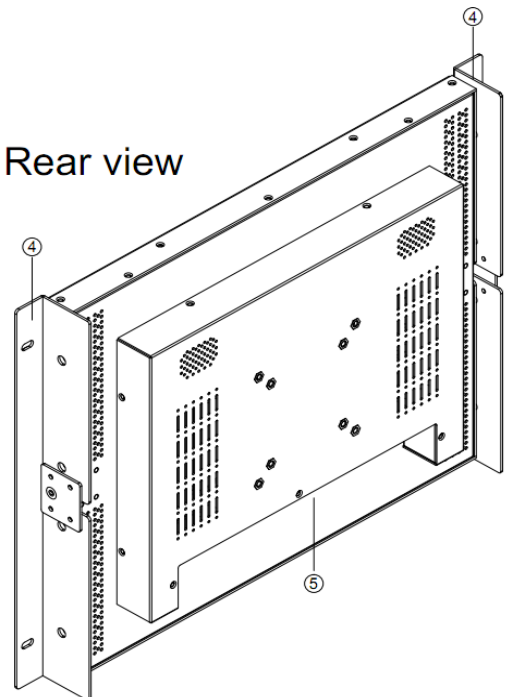
- 1.8 M Display port cable X 1
- 1.8 M HDMI cable X 1
- Power cord X 1

< 1.2 > Structure Diagram

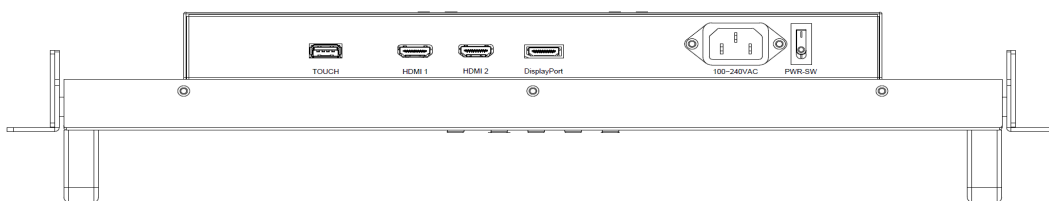
Front view



Rear view

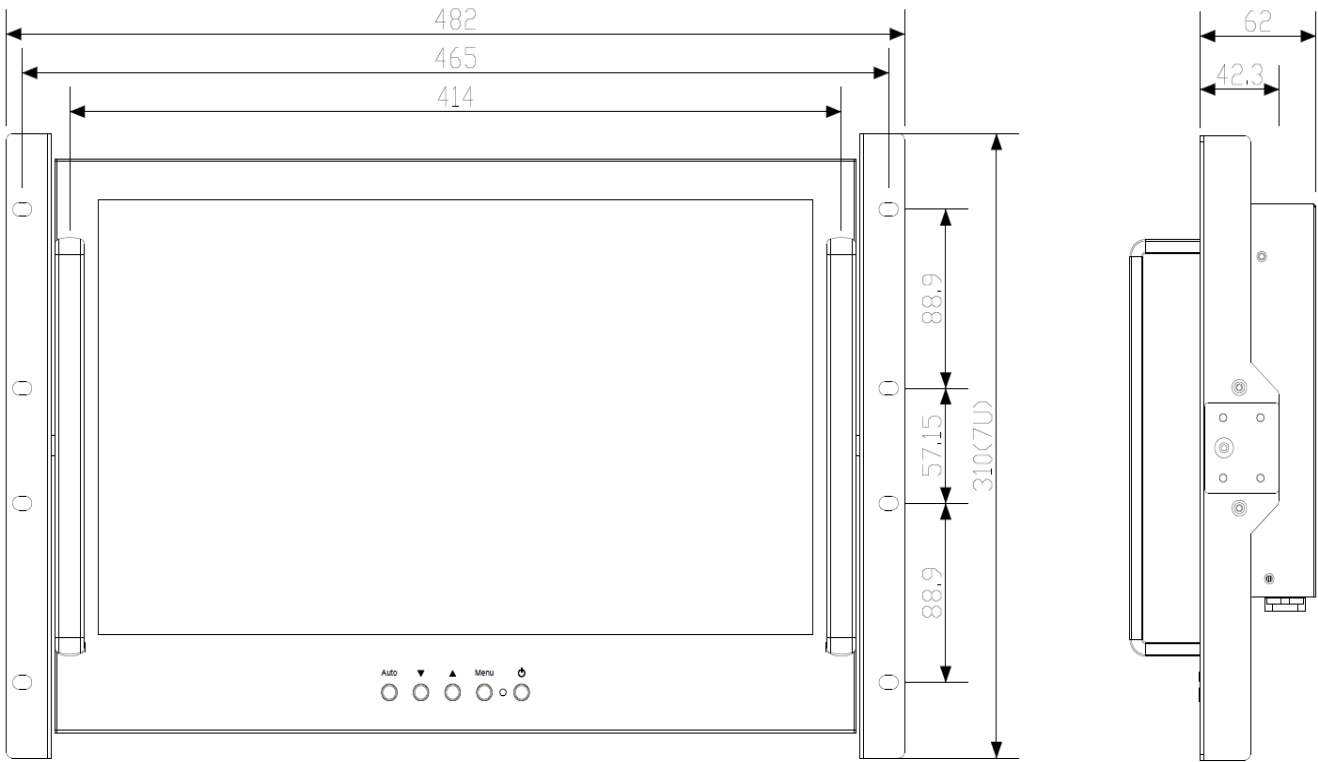


- ① LCD PANEL
- ② LCD OSD
- ③ Handle
- ④ Mounting bracket
- ⑤ I/O bracket

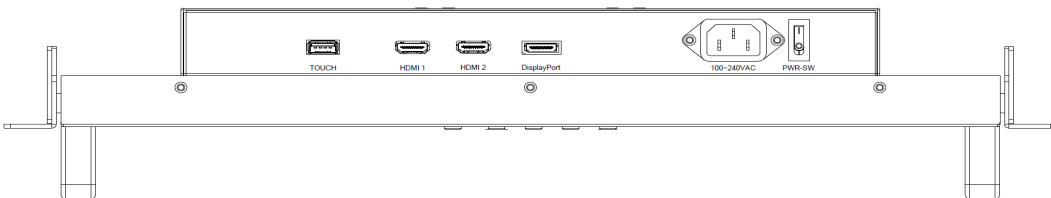
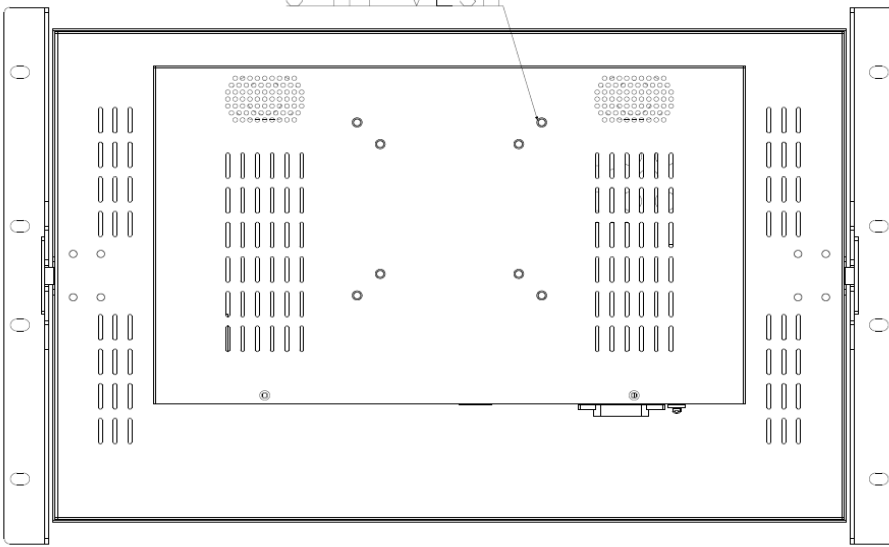


Basic I/O : HDMI + Display port
Options : Touchscreen & DC power

< 1.2 > Dimension

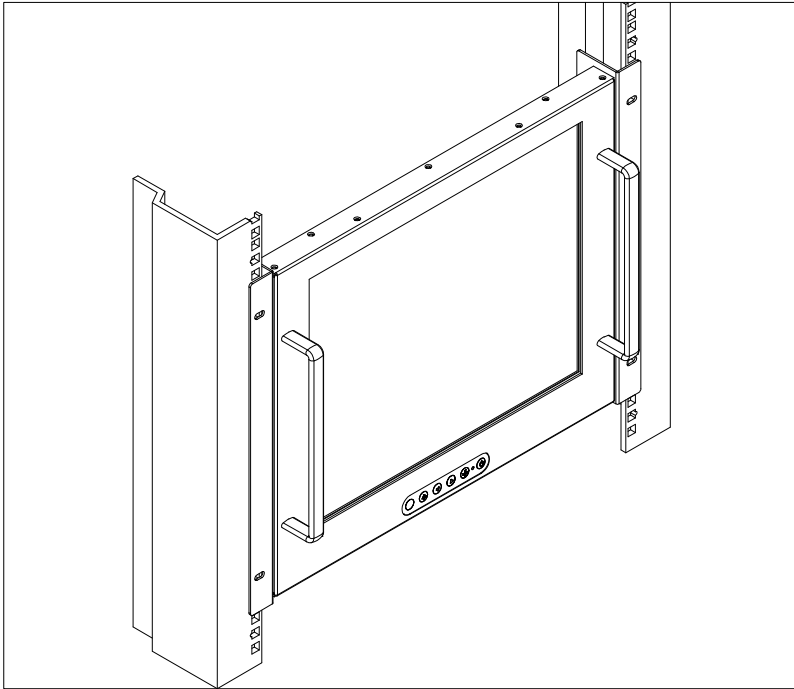


8-M4-VESA



Model	Product Dimension (W x D x H)	Packing Dimension (W x D x H)	Net Weight	Gross Weight
RMB-17W-4K	482 x 62 x 310 mm	620 x 210 x 400 mm	7 kg	9 kg

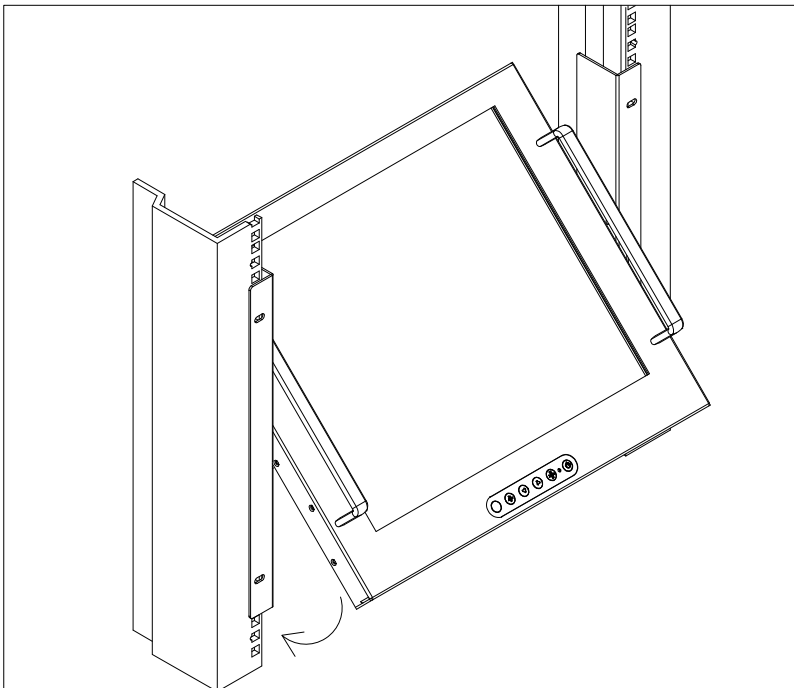
< 1.3 > Rack Mounting Installation



Step ①

Mount the RMB-17W-4K display panel with M6 screw set
4 x M6 screw set are required

M6 screw sets are not provided.



Step ②

90° tilt adjustment while mounted in rack: +45°~-45°

< Part 2 >

< 2.1 > Product Specifications

LCD Panel	Manufacturer	AUO
	Panel Size (diagonal)	17.3 inch widescreen
	Display pixel (dots x lines)	3840 x 2160 / 1920 x 1200 / 1920 x 1080
	Brightness (typ.)	400
	Contrast Ratio (typ.)	1000:1
	Color	16.7M
	Viewing Angle (H/V)	178/178
	Response Time (ms)	16
	Dot pitch (mm)	0.0995(H) x 0.0995(V)
	Backlight Type	LED

Video	Digital	Display port	DP 1.4 / HDCP 2.2
		HDMI	HDMI 2.0 / HDCP 2.2

Power	Power Supply	Range	Auto-sensing 100 to 240VAC, 50 / 60Hz

Regulatory	Safety	FCC & Certified
	Environmental	RoHS2 & REACH compliant

Environmental Conditions	Operating	Temperature	0 to 50°C degree
		Humidity	5~95%, non-condensing
		Altitude	16,000 ft
	Storage / Non-operating	Temperature	-20 to 60°C degree
		Humidity	5~90%, non-condensing
		Altitude	40,000 ft
		Shock	15G acceleration (11ms duration)
		Vibration	5~500Hz 1G RMS random

Physical Specification	Product (W x D x H)	482 x 62 x 310 mm
	Packing (W x D x H)	620 x 210 x 400 mm
	Net Weight	7 kg
	Gross Weight	9 kg

Applicable Format	Display Port Input	PC Signal	3840 x 2160 x 60Hz	
			1920 x 1080 x 60Hz	
			1600 x 1200 x 60Hz	
			1360 x 768 x 60Hz	
			1280 x 1024 x 60 / 75Hz	
			1280 x 768 x 60Hz	
			1024 x 768 x 60 / 70 / 75Hz	
			800 x 600 x 60 / 72 / 75Hz	
			720 x 400 x 70Hz	
			640 x 480 x 60 / 72 / 75Hz	
	Audio Signal	2ch Linear PCM		
	HDMI Input	HDMI 2.0	3840 x 2160 x 60Hz	
			HDMI 2.0 / 1.4	3840 x 2160 x 30Hz
				1920 x 1080 x 50 / 60Hz (1080p)
				1920 x 1080 x 25 / 30Hz (1080i)
1280 x 720 x 50 / 60Hz (720p)				
720 x 480 x 50 / 60Hz (576p / 480p)				
Audio Signal	2ch Linear PCM			

< 2.2 > On-screen Display Operation (OSD)

OSD Control buttons

LCD OSD can establish and setup LCD display. Setup instructions of four buttons are as follows:

Button	Functions
POWER	Turn on or off the LCD Display
Menu/Enter	Activate OSD menu, select a menu and press MENU key to confirm the selection and enter the submenu.
▲	Press this key to increase setting or scroll up the menu bar
▼	Press this key to Decrease setting or scroll down the menu bar
Source	Video input selection

< Part 3 >

< 3.1 > Options : Touchscreen



USB Touchscreen Specification

Model	TRB e-Resistive	TCB e-Capacitive
Technology	5-Wire Resistive	Capacitive
Touch Point	Single	Single
Method	Stylus or Finger	Finger
Activation Force	≤ 50g / Stylus=R0.8	≤ 50g
Durability	10 million touches	300 million touches
Response Time	15 ms	20 ms
Optical Transmittance	80% ± 3%	87% ±2%
Surface Hardness	3H	9H
Haze	8% ± 3%	7%
Glass	3.2 ±0.2 mm	2.8 mm ±10%
Connector	USB Type A	
Compatibility	Windows 7 / XP / Vista, Linux	

- USB touchscreen package includes 2 x 1.8 M USB cable, quick reference guideline and CD disc
- For detailed information, please refer to the attached CD disc
- As the touchscreen unit is not made of toughened glass, please handle it carefully

SAIS - Sacasa Industries & Systèmes
8 rue André Marie Ampère
28500 Vernouillet - France
09 70 440 600 - (+ 33) 970 440 600
<https://clavier-ecran-rackable.fr>
contact@sacasa.info