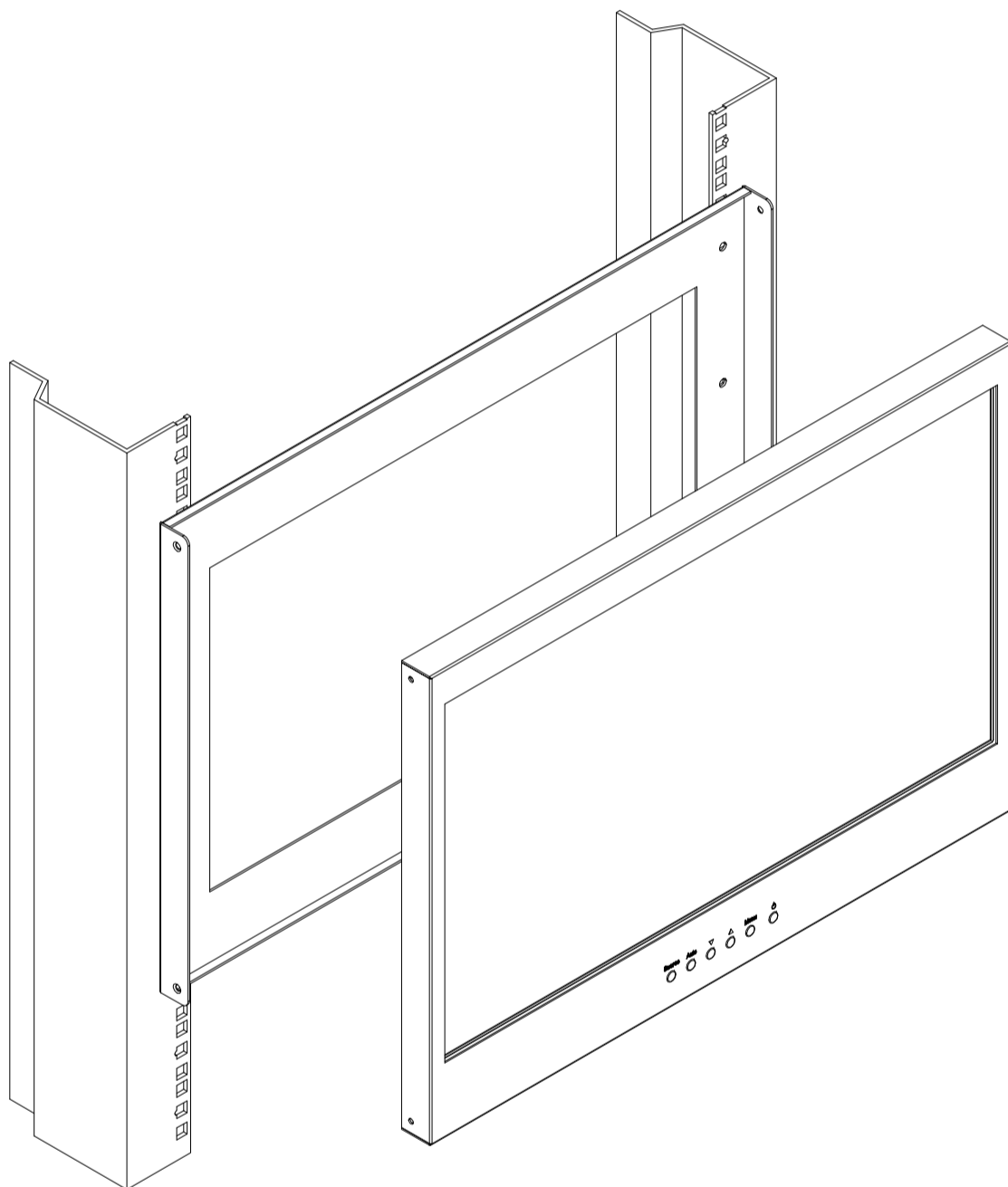


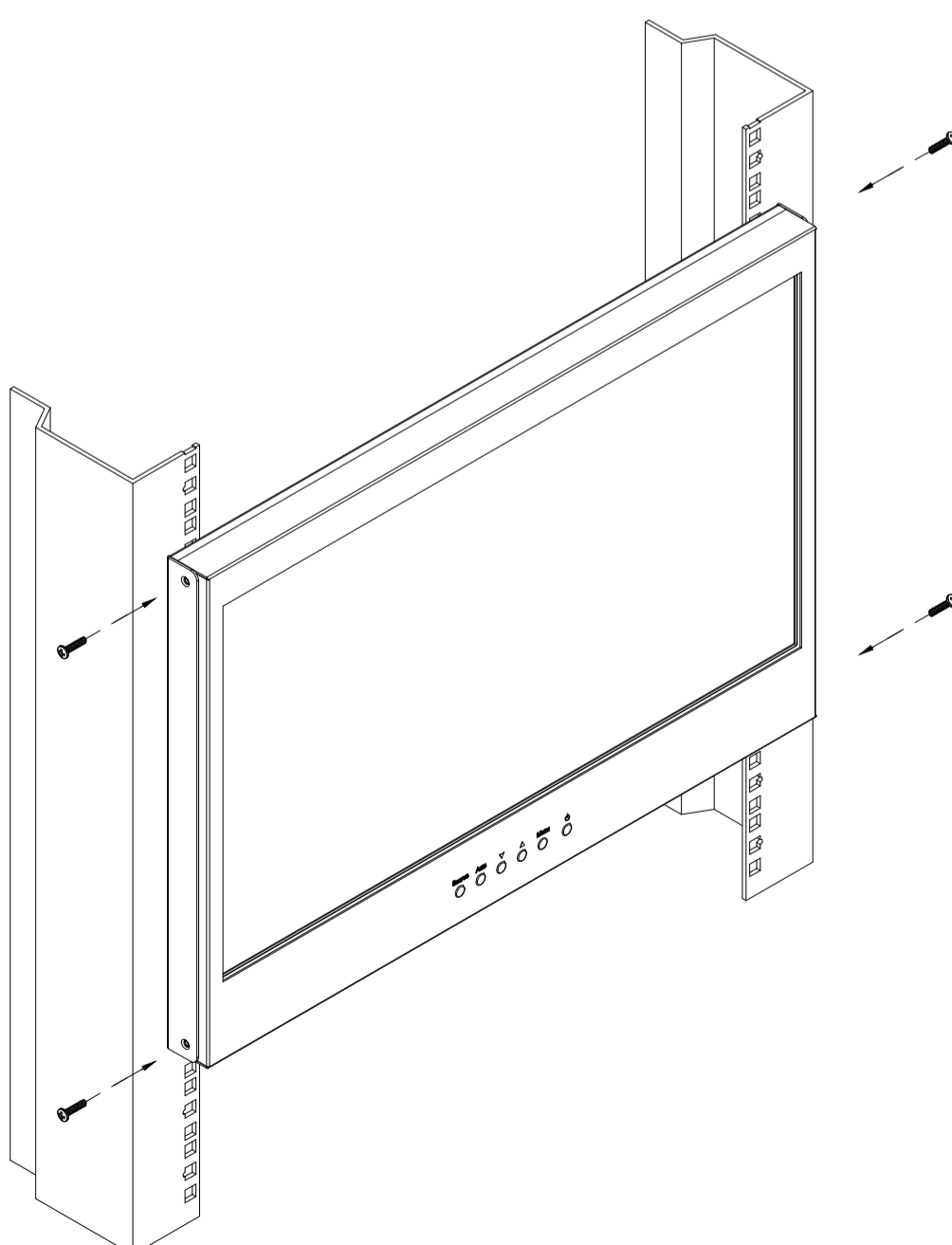
### Step 1

- Mount the rear bracket with M6 screw set.
  - 8 x M6 screw set are required
- M6 screw sets are not provided**



### Step 2

- Insert the display panel into the rear bracket.



### Step 3

- Fix the display panel into the rear bracket with two fasteners (Left & right side).