

Rack Mount Industrial Display Drawer

Model # RMD-17W



Features

- 1U Foldable Compact 19 inch rack mountable
- 17.3 inch wide screen 1920 x 1080 WUXGA Ultra high resolution
- Support FHD with 1080p resolution
- DVI-D, VGA, Audio input
- Heavy duty steel chassis construction
- Front osd control buttons to optimized display
- Build in 2x 2watts stereo speakers
- Self-Locking and Auto Release rail for ultra convenience

Option

- Composite video input
- HDMI or Display port input
- 3G / HD / SD-SDI broadcast grade input
- DC 9~36 V power input
- AR Hardness glass
- Touch screen



Rear of RMD-17W

LCD Characteristics :

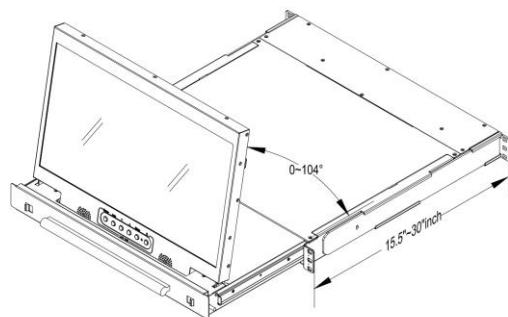
Screen Size	17.3"
Backlight Type	LED
Resolution	1920*1080
Contrast Ratio	400:1
Brightness (cd/m2)	300
View Angles (H/V)	140/120
Pixel Size (HxV) mm	0.1989x0.1989
Max. Color	262K
MTBF (Hrs.)	10,000

Input Signals:

DVI-D	DVI-D 24Pin Connector (Female)
VGA	D-SUB 15Pin Connector (Female)
Audio	3.5" Jack
Power Input	Standard IEC Inlet
Touch-USB (option)	USB A Type connector
Touch-RS232 (option)	D-SUB 9P connector (Female)

Power Specifications :

AC Power Input	Standard IEC Type Power Cord with Internal Power adapter, 100-240V AC Input
Wide Range DC Power Input (option)	Screw Type Terminal Block with internal wide Range DC 9-36V power module



User Controls Interface:

Power ON / OFF via Front Button
Power Mode Status LED indicator
OSD (On Screen Display) Buttons

Mechanical and Environment:

Height	1U Foldable
Rack Depth	15.5" to 30" (cabinet front rail to rear rail)
Mounting	Rack Mount with tilt adjustment
Construction	Metal Housing
Operating Temperature	0 - 50 deg. C
Operating Humidity	5% - 95% (non -condensing)
Anti-Vibration	5 - 500 Hz / 1 Grms PTP
Anti-Shock	15G / Peak (11 ms)
Physical Dimension (WxHxD)	443 x 44 x 425 (mm)
Packing Dimension (WxHxD)	715 x 140 x 600 (mm)
Net Weight / Gross Weight	12.5 / 17 (KGs)
Certification and Approvals	CE / FCC / RoHs

