

Rack Mount Industrial Display Monitor

Model # RMB-21W



Features

- Compact 19 inch rack mountable with 8U height
- 21.5 inch widescreen LCD panel
- 1920 x 1200 WUXGA Ultra high resolution
- Support FHD with 1080p resolution
- DVI-D, VGA, Audio input
- Heavy duty steel chassis with hardness glass protect screen
- Front osd control buttons to optimized display
- Build in 2x 2watts stereo speakers

Option

- Composite video input
- HDMI or Display port input
- 3G / HD / SD-SDI broadcast grade input
- DC 9~36 V power input
- AR Hardness glass
- Touch screen

LCD Characteristics :

Screen Size	21.5 inch widescreen
Backlight Type	LED
Resolution	1920x1080 (up to 1920x 1200)
Contrast Ratio	3000:1
Brightness (cd/m2)	250
View Angles (H/V)	178/178
Pixel Size (HxV) mm	0.24825x0.24825
Max. Color	16.7M
MTBF (Hrs.)	50,000

Input Signals:

DVI-D	DVI-D 24Pin Connector (Female)
VGA	D-SUB 15Pin Connector (Female)
Audio	3.5" Jack
Power Input	Standard IEC Inlet
Touch-USB (option)	USB A Type connector
Touch-RS232 (option)	D-SUB 9P connector (Female)

Power Specifications :

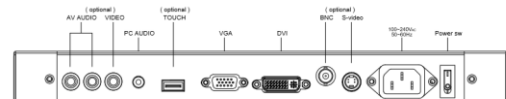
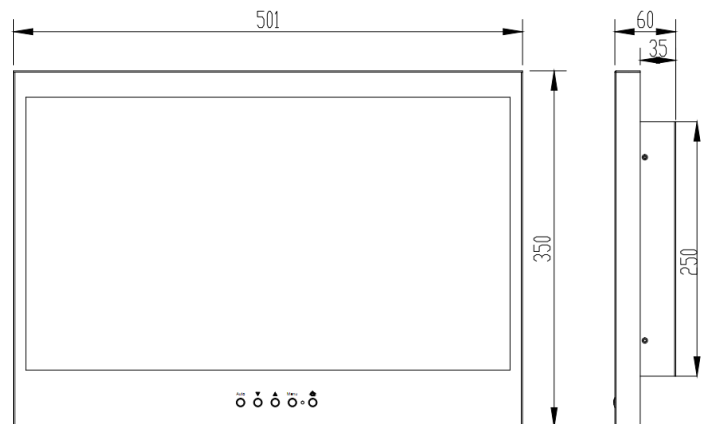
AC Power Input	Standard IEC Type Power Cord with Internal Power adapter, 100-240V AC Input
Wide Range DC Power Input (option)	Screw Type Terminal Block with internal wide Range DC 9-36V power module

User Controls Interface:

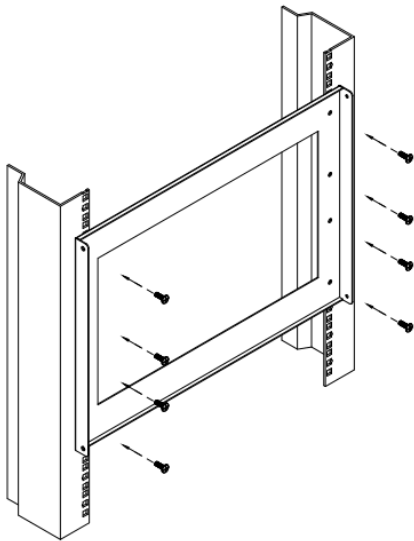
Power ON / OFF via Front Button
Power Mode Status LED indicator
OSD (On Screen Display) Buttons

Mechanical and Environment:

Height	8U
IP Protect	N/A
Mounting	VESA Mount and Rack Mount
Construction	Metal Housing
Operating Temperature	0 - 50 deg. C
Operating Humidity	5% - 95% (non -condensing)
Anti-Vibration	5 - 500 Hz / 1 Grms PTP
Anti-Shock	15G / Peak (11 ms)
Physical Dimension (WxHxD)	501 x 350 x 60 (mm)
Packing Dimension (WxHxD)	620 x 480 x 210 (mm)
Net Weight / Gross Weight	9.5 / 12 (KGs)
Certification and Approvals	CE / FCC / RoHS

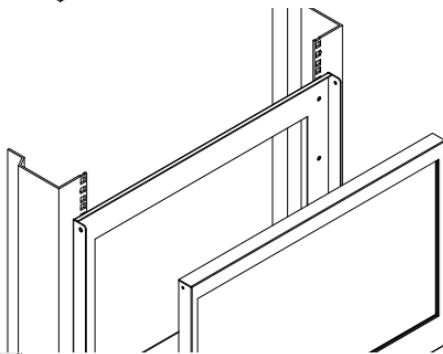


Installation Guide



Step 1

- Mount the rear bracket with M6 screw set.
- 8 x M6 screw set are required.
- M6 screw sets are not provided



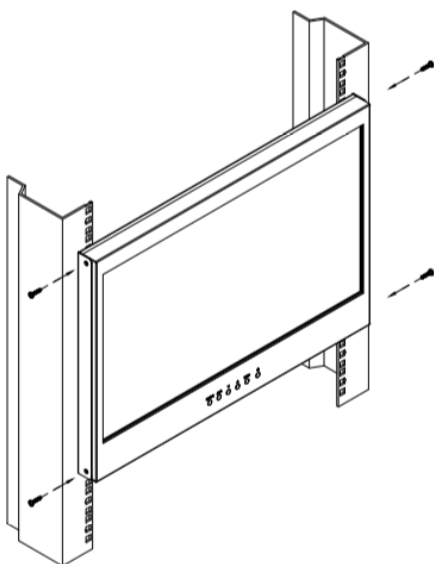
Step 2

- Insert the RMB-22W display panel into the rear bracket .



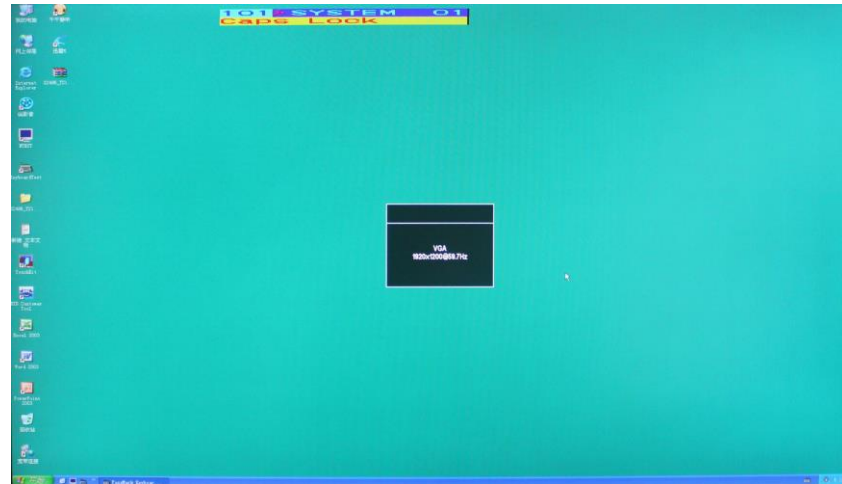
Step 3

- Fix the RMB-22W display panel into the rear bracket with two fasteners (Left & right side).

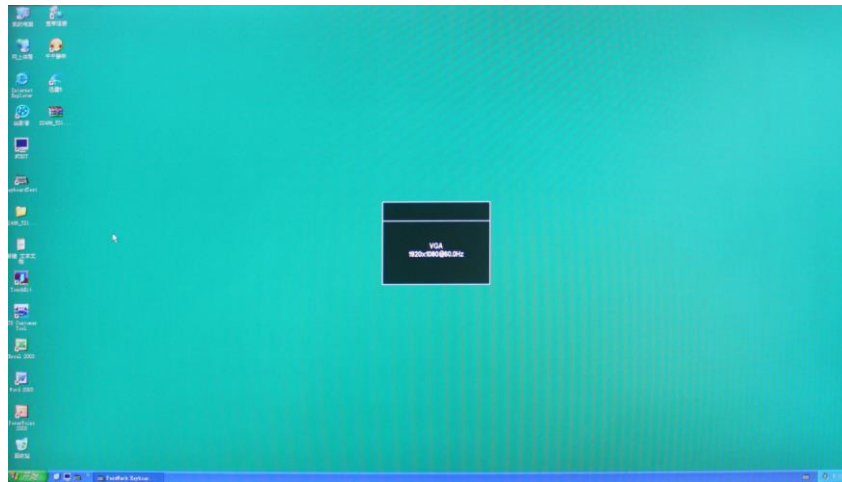


Display present on different resolution

Resolution 1920 x 1200



Resolution 1920 x 1080



Resolution 1600 x 1200

