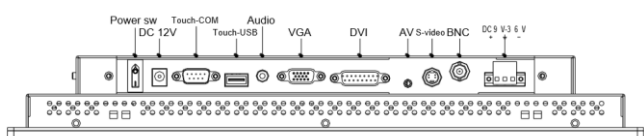


Panel Mount Industrial Display Monitor

Model # IPMB-17W



Features

- 6mm aluminum front bezel with hardness glass protect screen
- 17.3 inch wide screen 1920 x 1080 WUXGA Ultra high resolution
- Support FHD with 1080p resolution
- DVI-D, VGA, Audio input
- Front bezel NEMA4 / IP65 compliant
- Front osd control buttons to optimized display
- Build in 2x 2watts stereo speakers
- Panel (Flush) mount with clips
- Meet standard VESA hole, support desk stand / wall mount / Swing Arm mounting

Option

- Composite video input
- BNC Loop-in-out
- HDMI or Display port input
- 3G / HD / SD-SDI broadcast grade input
- DC 9~36 V power input
- AR Hardness glass
- Touch screen

LCD Characteristics :

Screen Size	17.3"
Backlight Type	LED
Resolution	1920*1080
Contrast Ratio	400:1
Brightness (cd/m2)	300
View Angles (H/V)	140/120
Pixel Size (HxV) mm	0.1989x0.1989
Max. Color	262K
MTBF (Hrs.)	10,000

Input Signals:

DVI-D	DVI-D 24Pin Connector (Female)
VGA	D-SUB 15Pin Connector (Female)
Audio	3.5" Jack
Power Input	12V DC jack with hanger
Touch-USB (option)	USB A Type connector
Touch-RS232 (option)	D-SUB 9P connector (Female)

User Controls Interface:

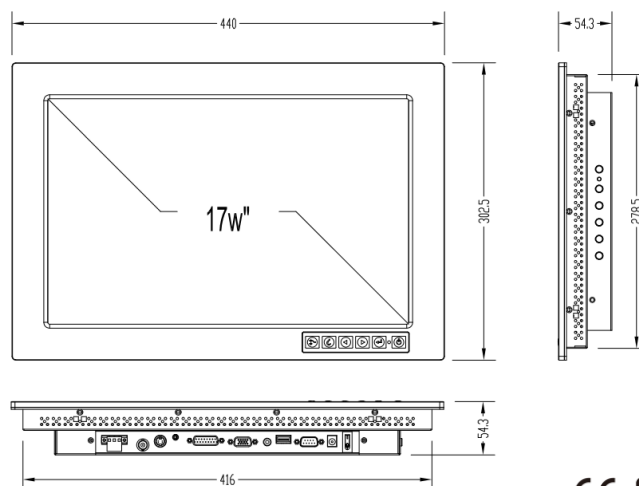
Power ON / OFF via Front Button
Power Mode Status LED indicator
OSD (On Screen Display) Buttons

Power Specifications :

AC Power Input	External Power Adapter , 100-240V AC Input
Wide Range DC Power Input (option)	Screw Type Terminal Block with internal wide Range DC 9-36V power module

Mechanical and Environment:

IP Protect	Front IP65 Grade
Mounting	Panel (Flush) Mount with clips, VESA Mount
Construction	Aluminum Front Bezel + Metal Housing
Operating Temperature	0 - 50 deg. C
Operating Humidity	5% - 95% (non -condensing)
Anti-Vibration	5 - 500 Hz / 1 Grms PTP
Anti-Shock	15G / Peak (11 ms)
Physical Dimension (WxHxD)	440 x 303 x 54 (mm)
Packing Dimension (WxHxD)	550 x 420 x 200 (mm)
Net Weight / Gross Weight	8 / 10.5 (KGs)
Certification and Approvals	CE / FCC / RoHS



SAIS - Sacasa Industries & Systèmes
 8 rue André Marie Ampère
 28500 Vernouillet - France
 09 70 440 600 - (+ 33) 970 440 600
<https://clavier-ecran-rackable.fr>
contact@sacasa.info

