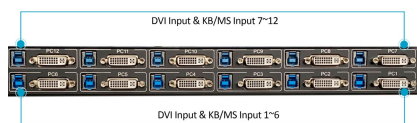


DVI LCD Console Drawers

Screen Rotate Version
Optimize rack space. Maximize rack monitoring



Our range of LCD console drawers provides a variety of features that simplify to access servers to making system monitoring, troubleshooting and software upgrades. The self-locking rails when in the fully extended open position and the ultra convenient auto lock release when the LCD panel is closed, make for simple and hassle free operation. Available with 21.5" or 23.8" Full HD AGrade LCD panels, integrated 12 port DVI KVM switch, USB-DVI & Audio Support USB HUB 2.0 and touch screen enable function.



Rear of KVM-2112/2412WPD-M5

Features

- Facilitated by screen rotate function
- Support USB-DVI & Audio interface
- Support digital DVI and analog VGA input signal
- Front 1x USB, Rear 2x USB 2.0 Type A, Sharing USB peripheral Device for computer (ex, flash disk, hard driver, KB/Mouse)
- Additional two USB console port to add local KB/Mouse
- Build in 2x 2 watts stereo speakers
- Durable 104-key keyboard and touch pad
- Quick and simple installation
- Self-locking and auto release rails for ultra-convenience

Part No.	KVM-2112WPD-M5	KVM-2412WPD-M5	
Direct no. of Computers	8		
Maximum no. of Computers	8		
LCD	Size	21.5 inch FULL HD display	23.8 inch FULL HD display
	Backlight	LED	
	Resolution	1920*1080 (support resolution up to 1920*1200)	
	Max.color	16.7M	
	Luminance	250 cd/m2	
	View Angel (H/V)	178 / 178	
	Contrast Ratio	3000 : 1	
Port Selection	Push Button, Hotkey		
USB Local console	Yes , USB x2 for KB/ Mouse		
USB HUB	1x Front , 2xRear USB 2.0 Type A for Peripheral USB Device		
Touch Screen	Yes , for option (Driver needed)		
KB/Mouse Emulation	USB		
Rack Depth	600mm to 1300mm (rack cabinet front rails to rear rails)		
Power	100-240V AC 50/60Hz via IEC Type power cord		
Environment	Operation temp: 0 to 50 °C Storage temp: -20 to 60 °C Humidity: 10% - 90%, non-condensing Shock: 10G acceleration (11ms duration) Vibration: 17 to 500Hz 1G PTP		
Physical Dimensions / Net Weights	448x44x790mm (WxHxD) / 19.5KG		
Packing Dimensions / Gross weights	580x190x840mm / 23 KG		
Accessory			
1.8meter IEC Type Power Cord			
Option Relate Item			
CD-018	1.8meter DVI-D Cable	CU-018	1.8meter USB Cable
CA-018	1.8meter Audio Cable		

SAIS - Sacasa Industries & Systèmes
 8 rue André Marie Ampère
 28500 Vernouillet - France
 09 70 440 600 - (+ 33) 970 440 600
<https://clavier-ecran-rackable.fr>
contact@sacasa.info

DVI LCD Console Drawers

Screen Rotate Version

Optimize rack space. Maximize rack monitoring



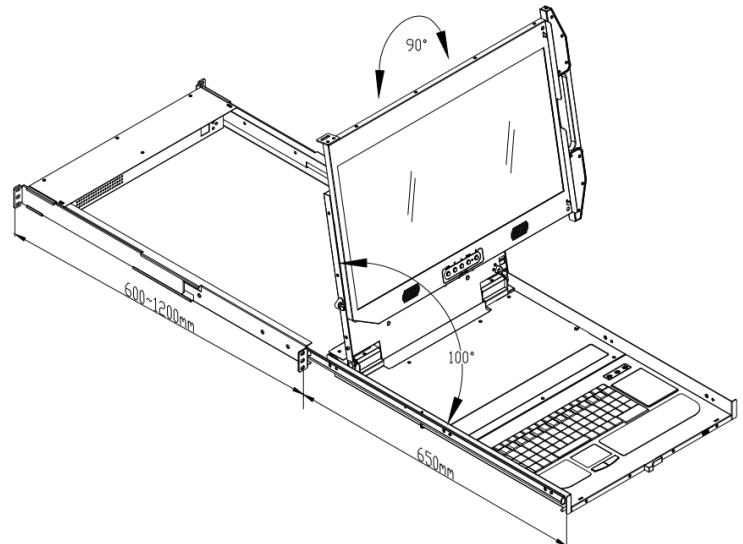
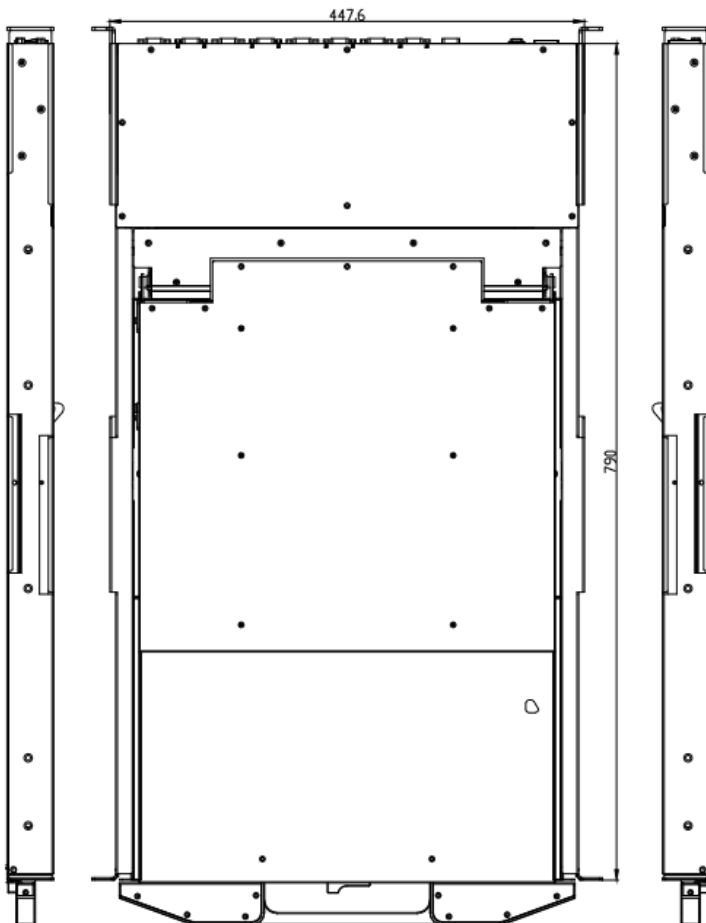
Lift the display



Display rotate to the right



Operating position



SAIS - Sacasa Industries & Systèmes
8 rue André Marie Ampère
28500 Vernouillet - France
09 70 440 600 - (+ 33) 970 440 600
<https://clavier-ecran-rackable.fr>
contact@sacasa.info