

# 19" Marine Bridge System Display

## Model # MBPM-19

Ver. 2023-5-31



### Features

- Front hyper dimming knob control backlight brightness from nearly 0%-100%.
- Rugged construction, Front bezel NEMA4 / IP65 compliant.
- Front hardness glass protects screen (AR glass & touch for optional).
- Front OSD control buttons to optimized display.
- Build in 2x 2watts stereo speakers.
- Standard with HDMI, DVI, VGA, Composite Video, Audio input.
- Panel (Flush) mount with clips.
- Meet standard VESA mount and optional robust mounting bracket.
- IEC60945 certificated.

### TFT Characteristics:

Screen Size	19 inch TFT LCD
Backlight Type	LED
Resolution	Native 1280x1024, support 1920x1200
Contrast Ratio	1000:1
Brightness ( cd/m2 )	350 (high brightness 1000 cd/m2 for option)
View Angles ( H/V )	170/160
Max. Color	16.7M

### Input Signals:

HDMI Signal	HDMI (Female)
DVI Signal	DVI-D (Female)
VGA Signal	D-SUB 15P connector (Female)
Composite Video	RCA Phono plug
Audio	3.5" jack
AC Power Input	Standard IEC Inlet
DC Power Input ( option )	Screw Terminal Block
Touch Screen ( option )	USB-A or D-SUB 9P connector (Female)

### User Controls:

Power On/Off via front buttons
VR Brightness Knob adjustment
Power Mode Status LED indicator
On Screen Display control(OSD)

### Power Specifications:

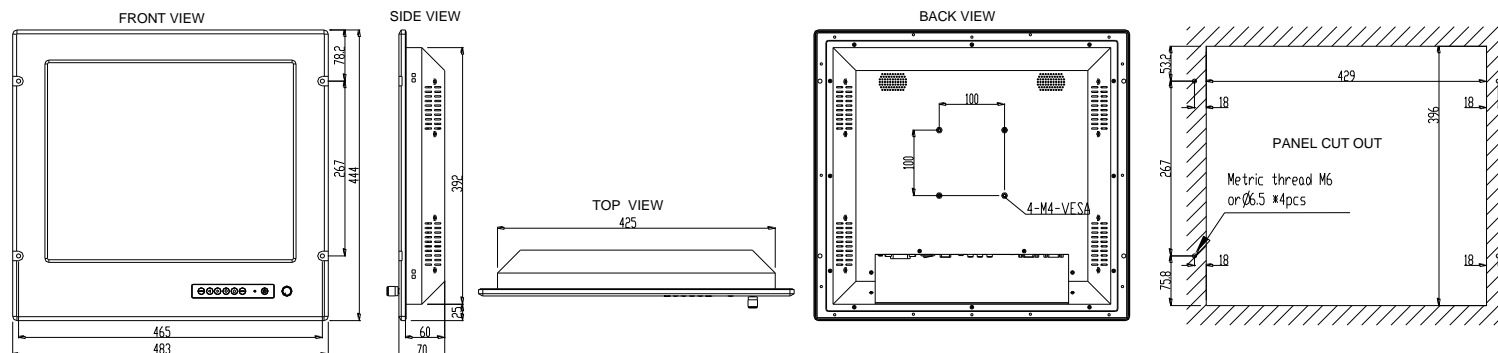
AC Power Input	Standard IEC Type power cord with Internal Power Adapter , 100-240V AC Input
DC Power Input ( option )	Screw Type Terminal Block with internal isolate DC 12V/24V/48V/125V power module

### Mechanical and Environmental:

IP Protect	Front IP65 Grade
Mounting	Panel (Flush) Mount, VESA Mount, Robust Bracket, Sun-visor Bracket
Construction	Aluminum Front Bezel + Metal Housing
Operating Temperature	0 - 50 deg. C
Operating Humidity	5% - 95% (non -condensing)
Anti-Vibration	5 - 500 Hz / 1 Grms PTP
Anti-Shock	15G / Peak (11 ms)
Physical Dimension (WxHxD)	483 x 444 x 70 mm
Packing Dimension (WxHxD)	610 x 530 x 240 mm
Net Weight / Gross Weight	12 / 15.5 KGs
Certification and Approvals	CE / FCC / RoHs / IEC60945

### Available Options:

Touch Screen	Resistive, Projected capacitive touch
AR Hardness Glass	3mm Anti-Reflective Protect Glass
DC Power	Isolate 12V/24V/48V/125V DC Power
SR-BKT	Stand & Roof Mounting Bracket
RT-BKT	Rotary Plate Robust Bracket
SV-BKT	Sun-Visor Bracket



**SAIS - Sacasa Industries & Systèmes**  
 8 rue André Marie Ampère  
 28500 Vernouillet - France  
 09 70 440 600 - (+ 33) 970 440 600  
<https://clavier-ecran-rackable.fr>  
[contact@sacasa.info](mailto:contact@sacasa.info)

