

# Combo CAT6 LCD Console Drawers Screen Rotate Version

Optimize rack space. Maximize rack monitoring



The Annso range of LCD console drawers provides a variety of features that simplify to access servers to making system monitoring, troubleshooting and software upgrades.

The self-locking rails when in the fully extended open position and the ultra-convenient auto lock release when the LCD panel is closed, make for simple and hassle free operation.

Configure with 21.5 or 23.8 inch A-Grade FHD LCD panels, Combo CAT6 8, 16 or 32 port integrated KVM switch & additional one USB local console.

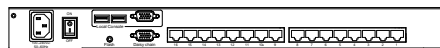
Using CAT5 or CAT6 Ethernet cable, support max. Computer distance up to 40 meters away

## Features

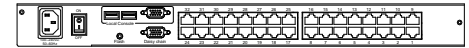
- Facilitated by screen rotate function.
- Support combo interface, VGA-USB & VGA-PS/2.
- Additional one USB Local console to add local KB/Mouse & VGA.
- Up to 40 meters between Servers to KVM.
- Durable 104-key keyboard and touch pad.
- Quick and simple installation.
- Self-locking and auto release rails for ultra-convenience.
- Port selection via push buttons or On-Screen-Display (OSD).
- Dedicated daisy chain port to expand up to 256 servers.



Rear of KVM-2108ASL-M5/ULC  
Rear of KVM-2408ASL-M5/ULC



Rear of KVM-2116ASL-M5/ULC  
Rear of KVM-2416ASL-M5/ULC



Rear of KVM-2132ASL-M5/ULC  
Rear of KVM-2432ASL-M5/ULC

Part No.	KVM-2108ASL-M5/ULC	KVM-2116ASL-M5/ULC	KVM-2132ASL-M5/ULC	KVM-2408ASL-M5/ULC	KVM-2416ASL-M5/ULC	KVM-2432ASL-M5/ULC
Direct no. of Computers	8	16	32	8	16	32
Maximum no. of Computers	232 (Daisy Chain)	240 (Daisy Chain)	256 (Daisy Chain)	232 (Daisy Chain)	240 (Daisy Chain)	256 (Daisy Chain)
LCD	Size	21.5"			23.8"	
	Backlight	LED			LED	
	Resolution	1920*1080 FULL HD (support up to 1920*1200)			1920*1080 FULL HD (support up to 1920*1200)	
	Max.color	16.7M			16.7M	
	Luminance	250cd/m2			250cd/m2	
	View Angel (H/V)	178 / 178			178 / 178	
	Contrast Ratio	3000 : 1			1000 : 1	
USB HUB	2x Rear USB 2.0 Type A for peripheral USB devices					
Touch Screen	YES , for option ( Driver needed )					
KB/Mouse Emulation	USB & PS2					
Rack Depth	600mm to 1300mm ( rack cabinet front rails to rear rails )					
Power	100-240V AC 50/60Hz via IEC Type power cord					
Environment	Operation temp: 0 to 50°C					
	Storage temp: -20 to 60°C					
	Humidity: 10% - 90%, non-condensing					
	Shock: 10G acceleration ( 11ms duration) Vibration: 17 to 500Hz 1G PTP					
Physical Dimensions / Net Weights	448 x 44 x 790mm (WxHxD) / 19.5KG					
Packing Dimensions / Gross weights	580 x 195 x 940mm (WxHxD) / 23KG					
<b>Accessory</b>						
1.8meter IEC Type Power Cord						
<b>Option Relate Item</b>						
DGU	CAT6 KVM Dongle-USB&VGA		DGP	CAT6 KVM Dongle -PS/2&VGA		
DGD	CAT6 KVM Dongle-USB&DVI					

**SAIS - Sacasa Industries & Systèmes**

**8 rue André Marie Ampère**

**28500 Vernouillet - France**

**09 70 440 600 - (+ 33) 970 440 600**

**<https://clavier-ecran-rackable.fr>**

**[contact@sacasa.info](mailto:contact@sacasa.info)**

# Combo CAT6 LCD Console Drawers Screen Rotate Version

Optimize rack space. Maximize rack monitoring



Lift the display



Display rotate to the right



Operating position

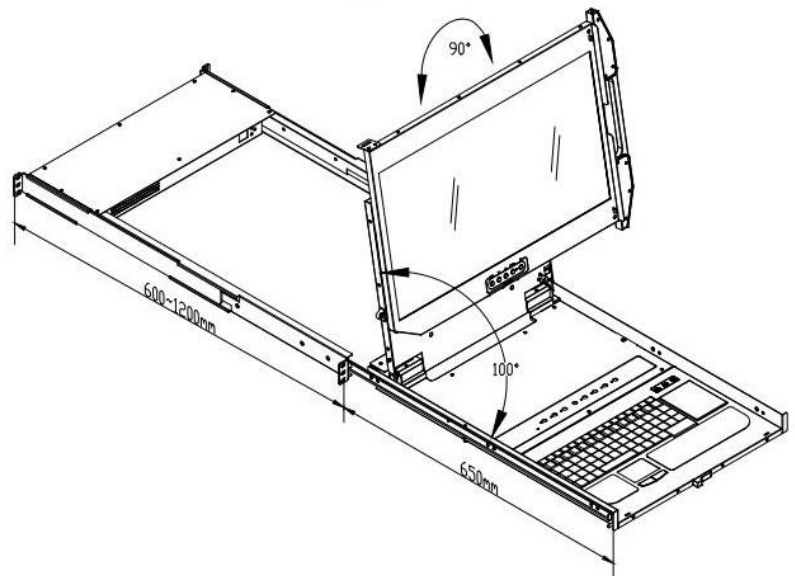
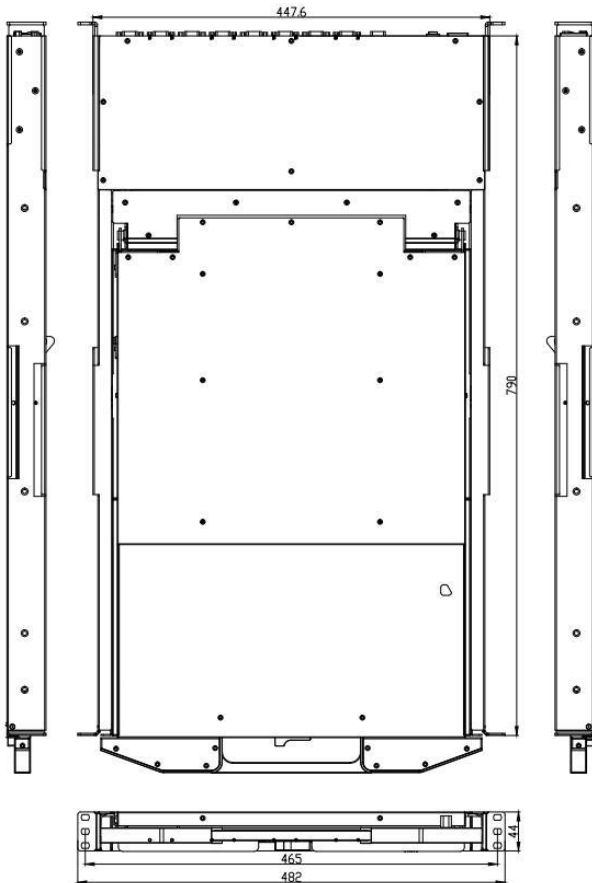
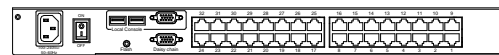
Rear of KVM-2108ASL-M5/ULC  
Rear of KVM-2408ASL-M5/ULC



Rear of KVM-2116ASL-M5/ULC  
Rear of KVM-2416ASL-M5/ULC



Rear of KVM-2132ASL-M5/ULC  
Rear of KVM-2432ASL-M5/ULC



**SAIS - Sacasa Industries & Systèmes**  
8 rue André Marie Ampère  
28500 Vernouillet - France  
09 70 440 600 - (+ 33) 970 440 600  
<https://clavier-ecran-rackable.fr>  
[contact@sacasa.info](mailto:contact@sacasa.info)