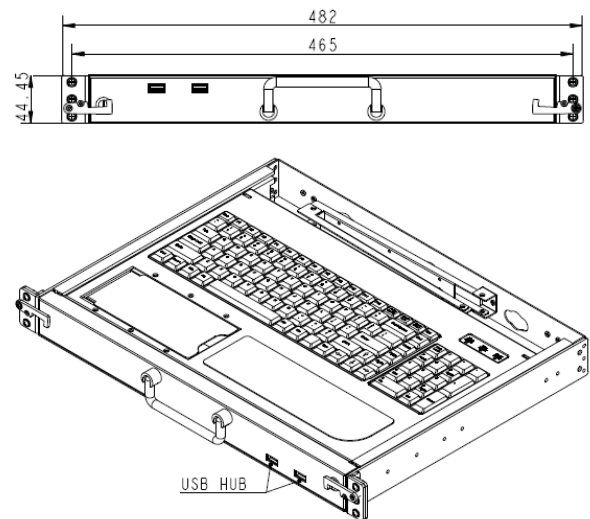
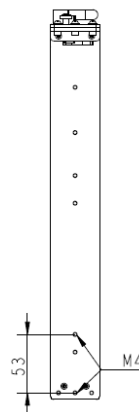
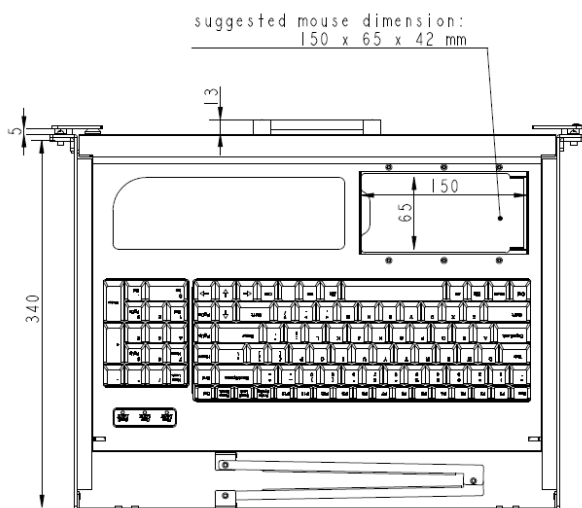




Features

- Smart and compact design for rack-mount application
- 1U (1.75") height to save space
- Full-size keyboard layout with standard 104 keys
- Built-in storage compartment to securely hold an optical mouse when not in use
- One in the storage, two front sharing USB peripheral Device for computer (ex, flash disk, hard driver, KB/Mouse)
- Lockable rails ensure stability and prevent unintended movement
- Key locker design for enhanced security and protection
- Optional wired or wireless optical mouse

Part No.	KB-101-MS
Physical Dimension (W x H x D)/Net Weight	482 x 44 x 340 mm / 6.5 KG
Packing Dimension (W x H x D)/Gross Weight	560 x 150 x 490 mm / 8.5 KG
Construction	Heavy-duty steel
Color	black
No. of Keys	104
Optical Mouse (optional)	USB interface, wire or wireless
USB HUB	1 x in the storage, 2 x front USB 2.0 Type A for peripheral USB devices
Rack Depth	340mm to 650mm (rack cabinet front rails to rear rails)
Keyboard Drawer Interface	USB
LED	Num. Cap. Scroll Lock
MTBF	10 million strokes
Safety	CE / FCC / RoHs
Storage Temp	0° ~ 70°C (32° ~ 167°)
Operating Humidity	5% ~ 95%, Non-condensing
Storage Humidity	5% ~ 95%



SAIS - Sacasa Industries & Systèmes
 8 rue André Marie Ampère
 28500 Vernouillet - France
 09 70 440 600 - (+ 33) 970 440 600
<https://clavier-ecran-rackable.fr>
contact@sacasa.info