

1 2 3 4 5 6 7 8

A

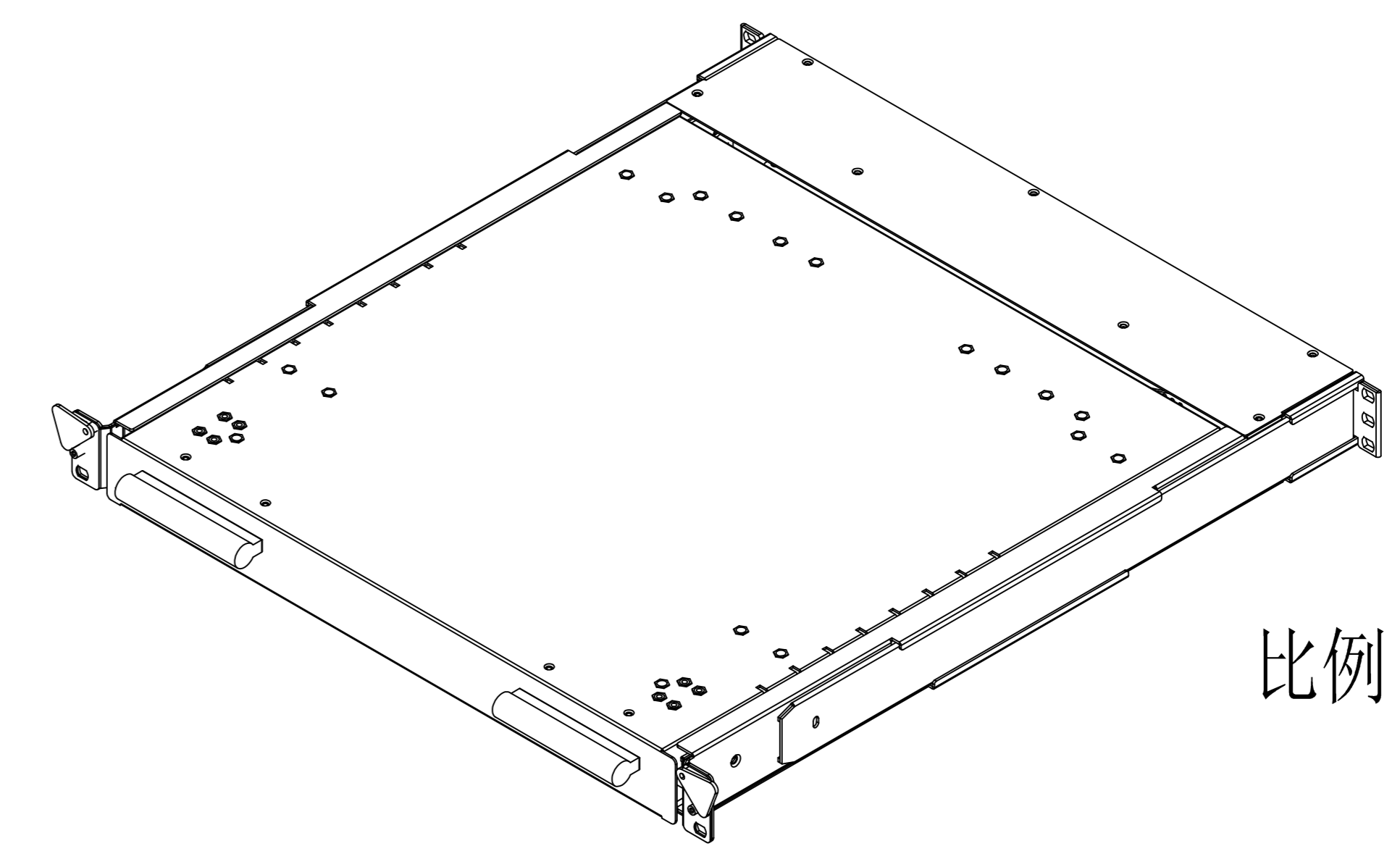
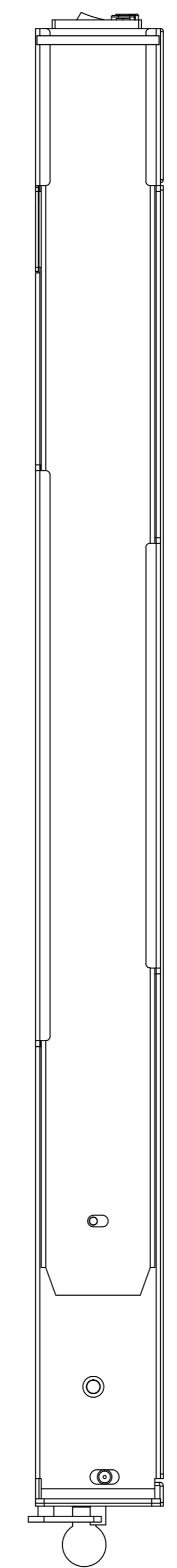
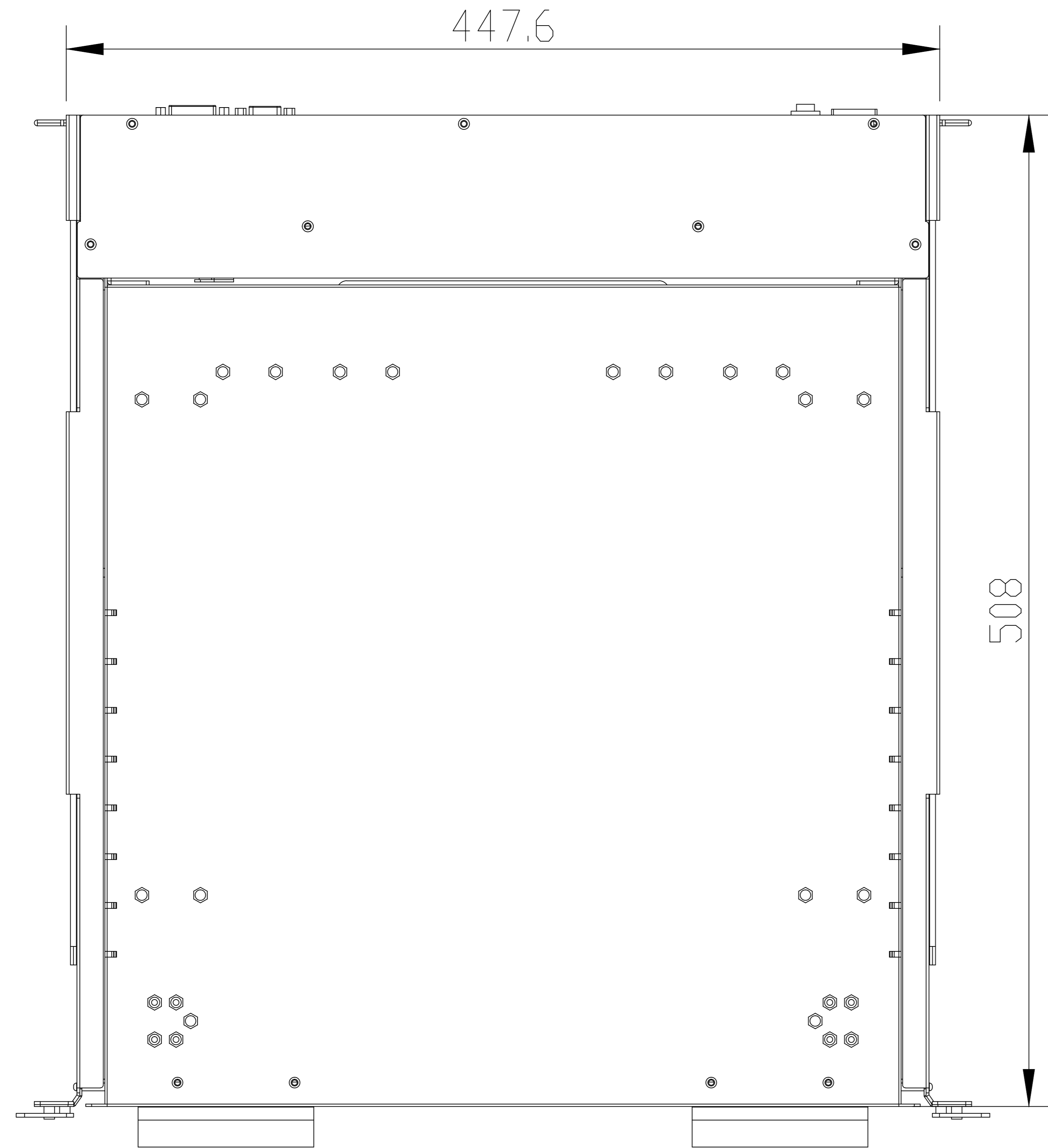
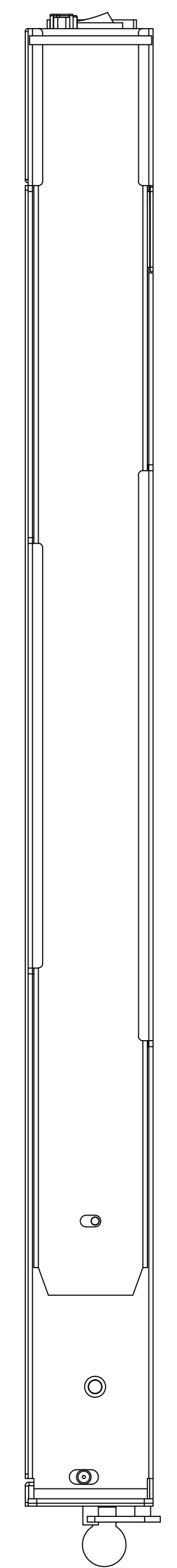
B

C

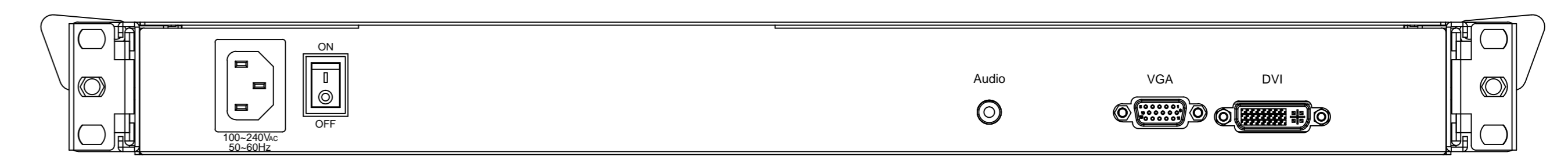
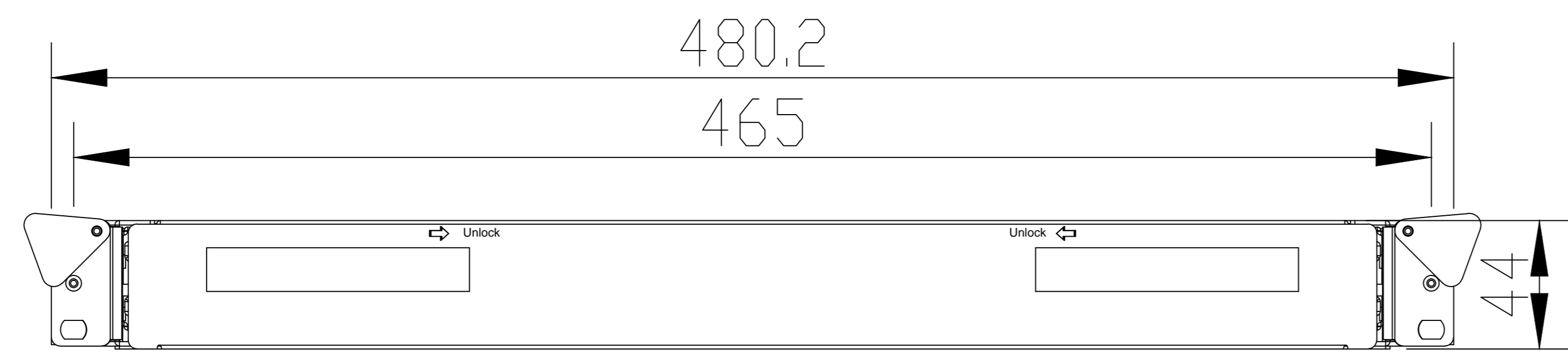
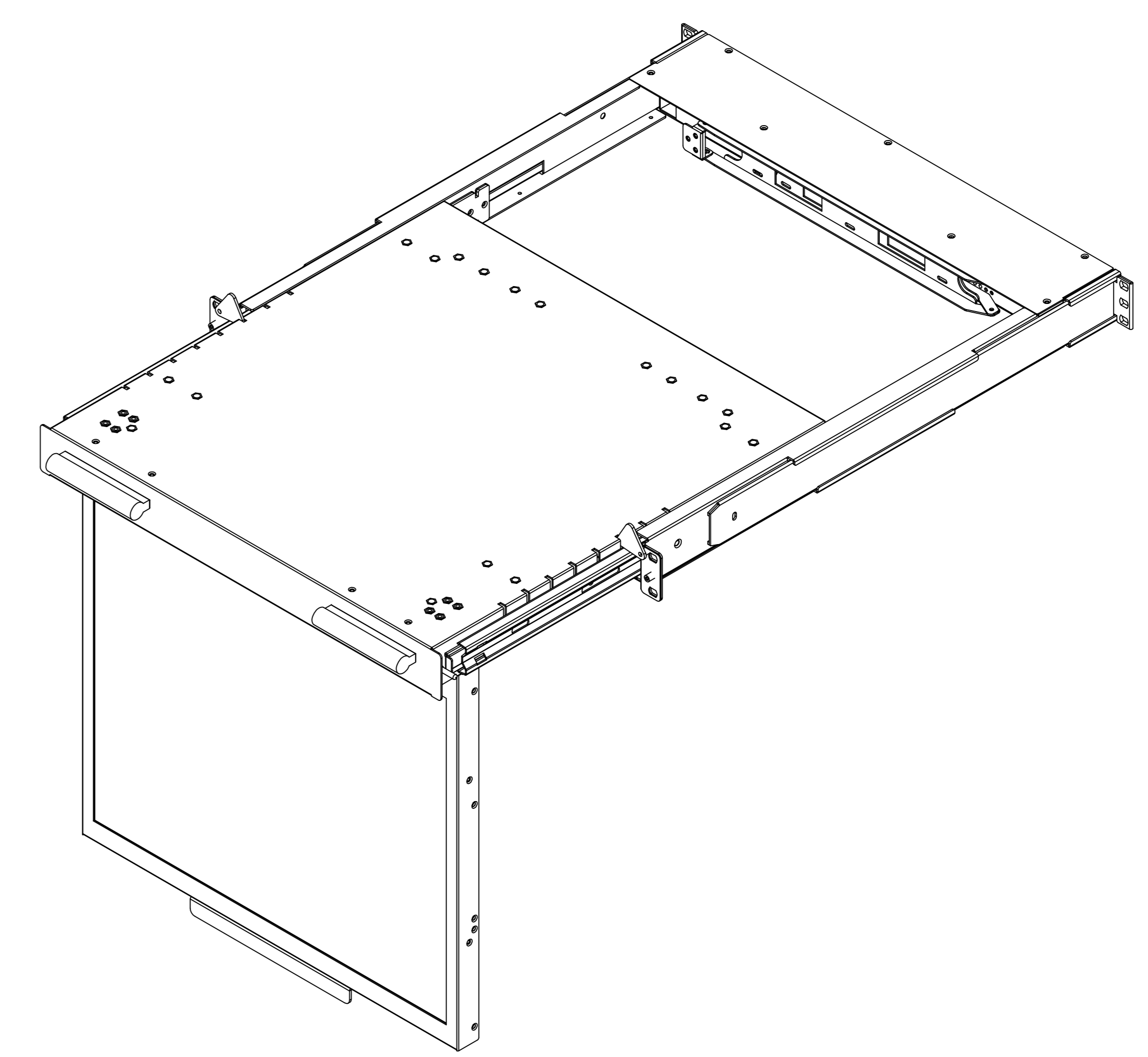
D

E

F



比例 0.125



△			
△			
△			
MARK	DESCRIPTION	SING	DATE
1			
2			

注意：  
 1. 所有工件必须倒毛刺 去接刀痕。  
 2. 所有线性尺寸按GB1804-M级。  
 3. Finish: Coating (Spec. See Sample)

毛边朝	1、绿色面	2、白色面
TOL	< 30 : ±0.1 30 < 120 : ±0.15 120 < 315 : ±0.2 315 < : ±0.3	±0.1 ±0.15 ±0.2 ±0.3
	ANGLE TOL : ±0.5°	

**SAIS - Sacasa Industries & Systèmes**  
 8 rue André Marie Ampère  
 28500 Vernouillet - France  
 09 70 440 600 - (+ 33) 970 440 600  
<https://clavier-ecran-rackable.fr>  
[contact@sacasa.info](mailto:contact@sacasa.info)

UNIT : mm	FINISHING	PART NO.	***	Ver.	A0
3RD ANGLE'S	MATERIAL	MOLD NO.	RMD-19-U	Q'ty	1
APPROVED		TITLE	RMD-19-U-3D3V		
CHECKED		DRAWING NO.	RMD-19-U-3D3V.DWG		
DESIGNED	LCH	2008-5-9	SIZE	A3	SCALE
DRAWN			A3	SCALE	0.25
			SHEET:	1	OF 1