

1 2 3 4 5 6 7 8

A

A

B

B

C

C

D

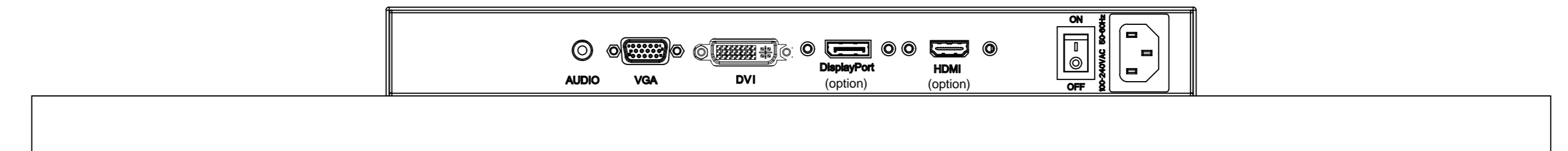
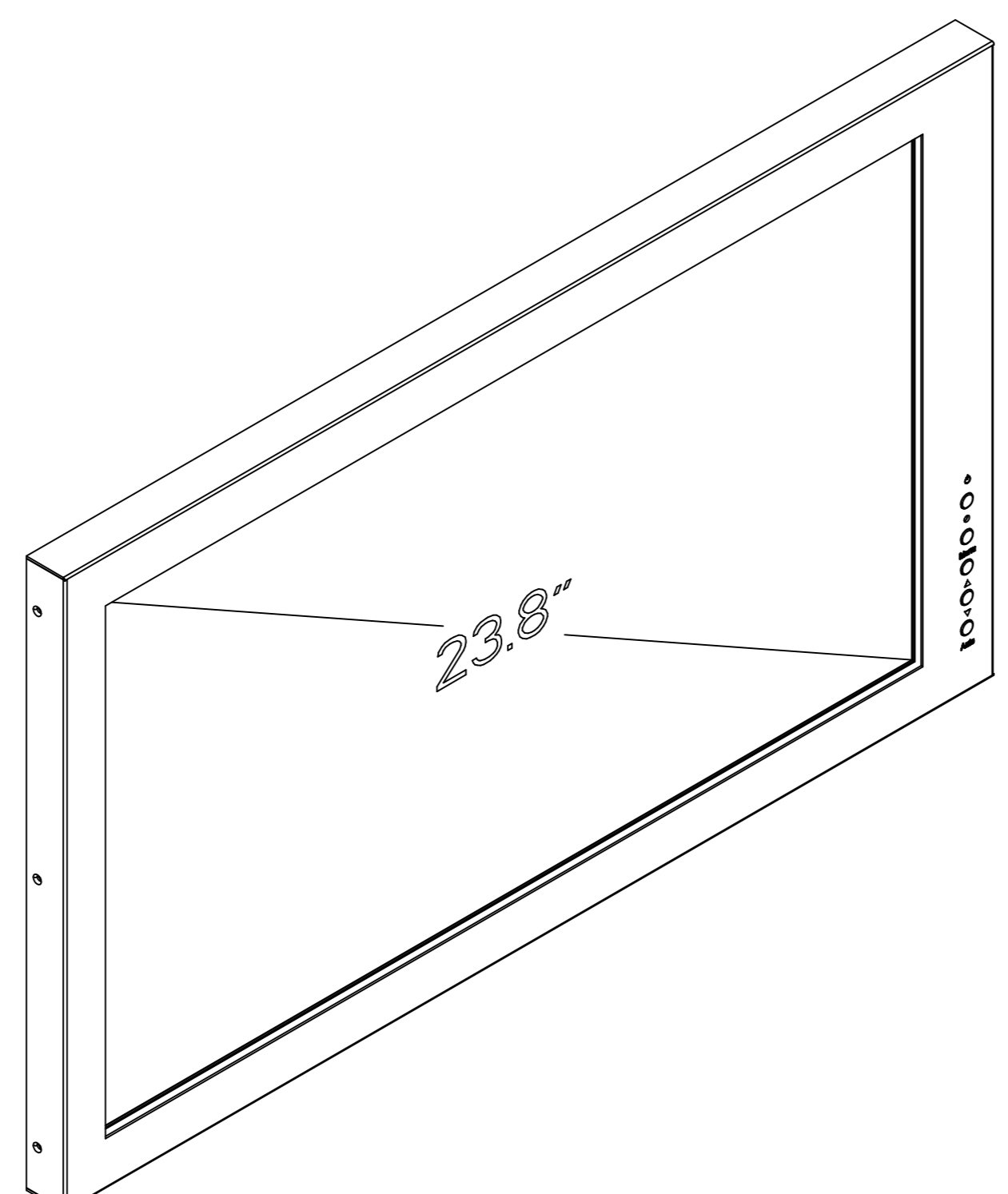
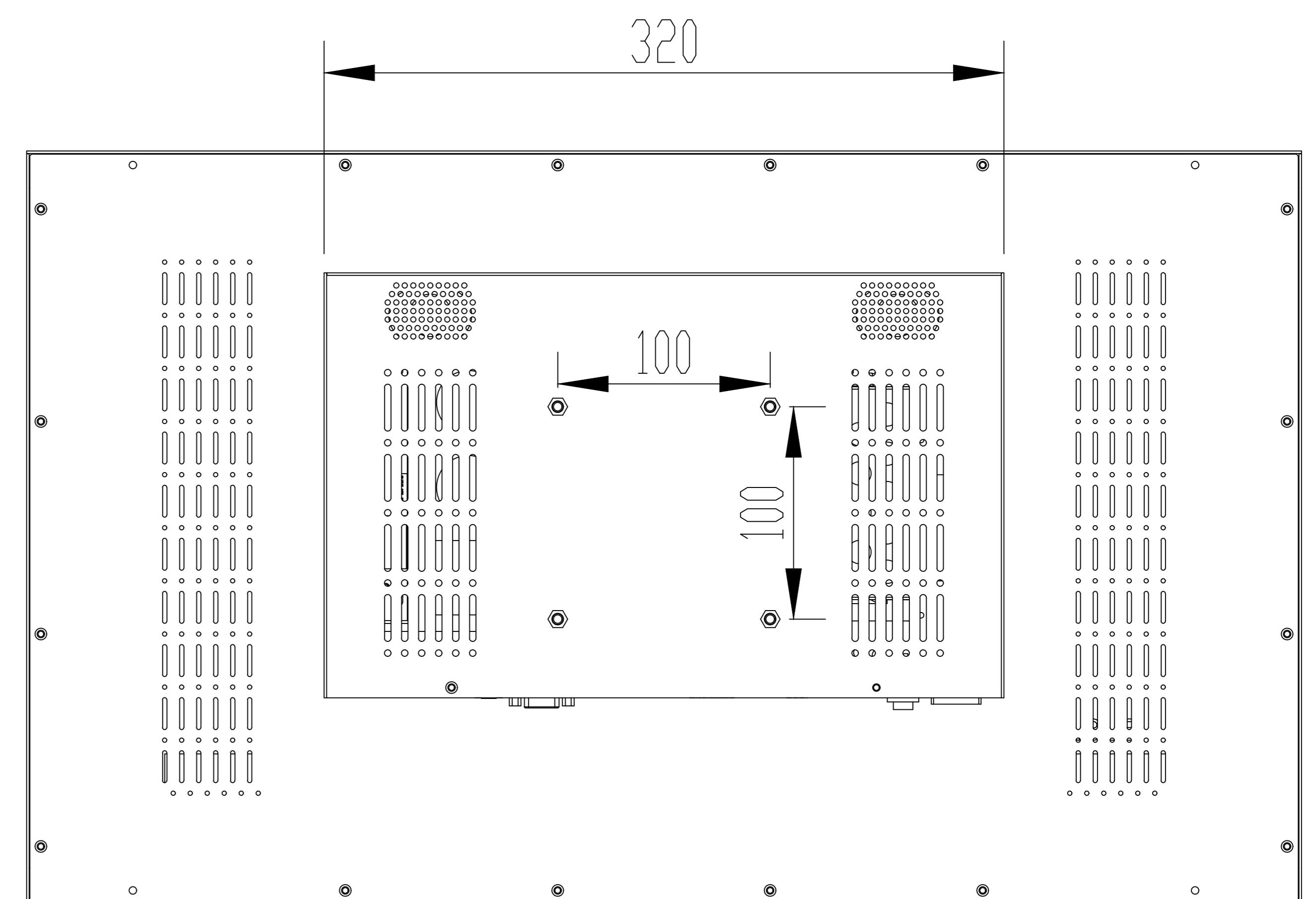
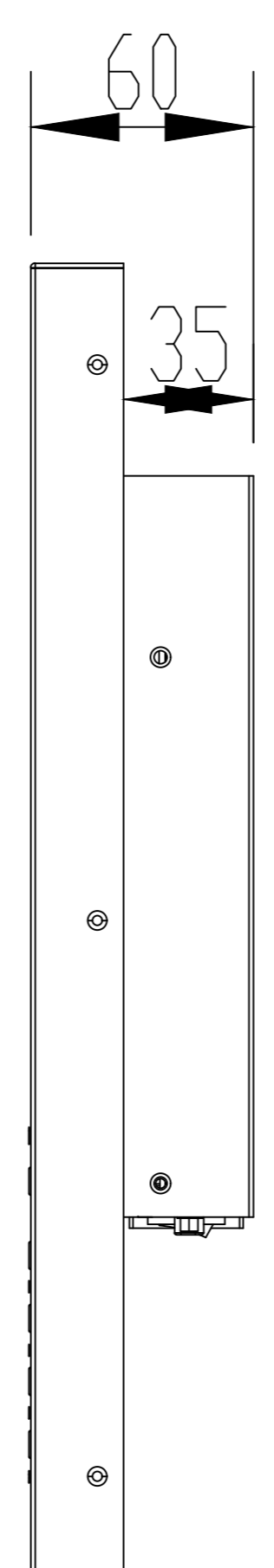
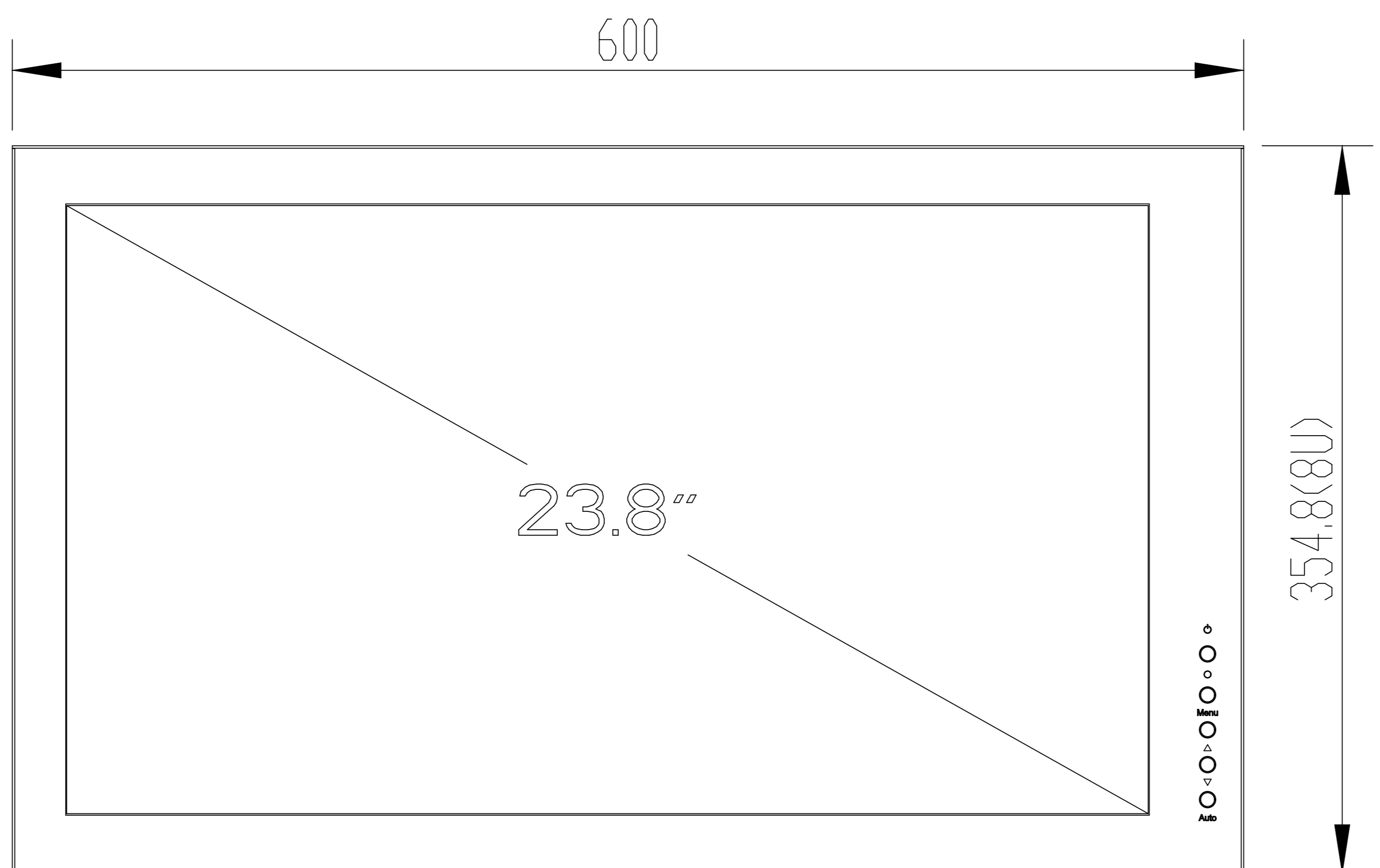
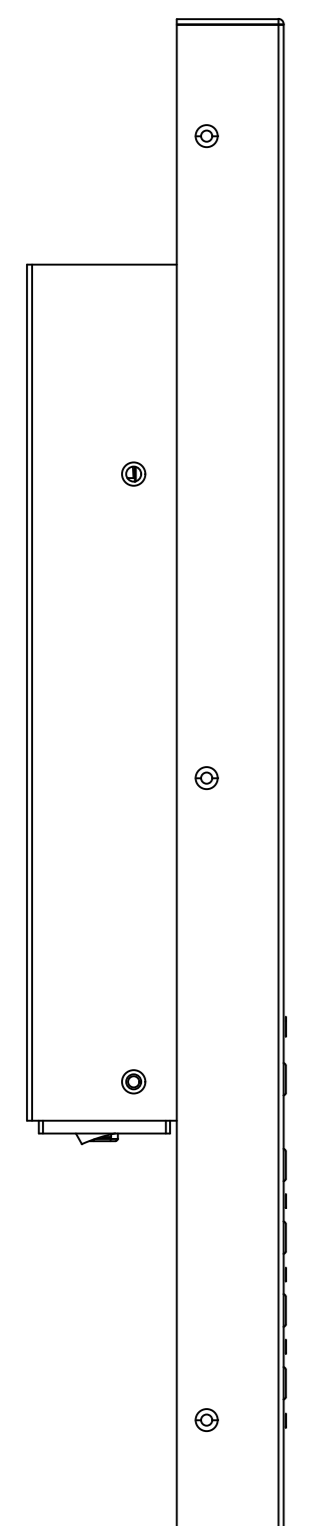
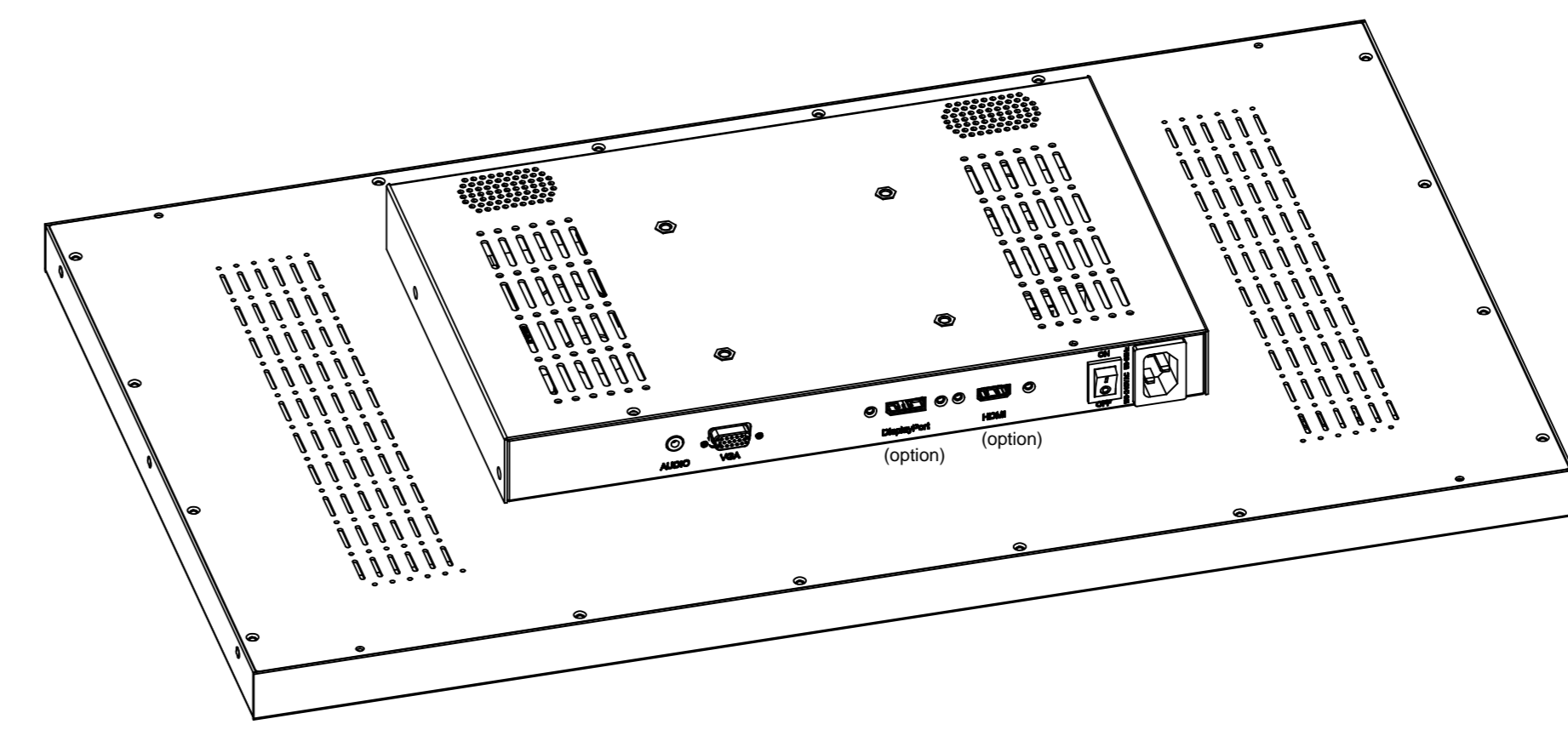
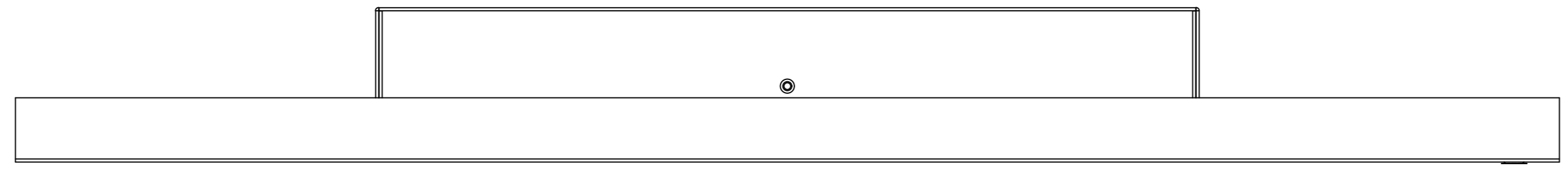
D

E

E

F

F



△			
△			
△			
MARK	DESCRIPTION	SING	DATE
1		2	

TOL	< 30	: ±0.1	UNIT : mm	FINISHING	PART NO.	Ver.	A0			
	30 < 120	: ±0.15				MOLD NO.	RMB-24W	Qty	1	
	120 < 315	: ±0.2	3RD ANGLE'S	MATERIAL	TITLE	RMB-24W				
	315 <	: ±0.3	APPROVED	DESIGNED	Liuchunhua	2020-9-28	DRAWING NO.	RMB-24W		
	ANGLE TOL	: ±0.5°						CHECKED		SIZE
SAIS - Sacasa Industries & Systèmes 8 rue André Marie Ampère 28500 Vernouillet - France 09 70 440 600 - (+ 33) 970 440 600 https://clavier-ecran-rackable.fr contact@sacasa.info										