

1 2 3 4 5 6 7 8

A

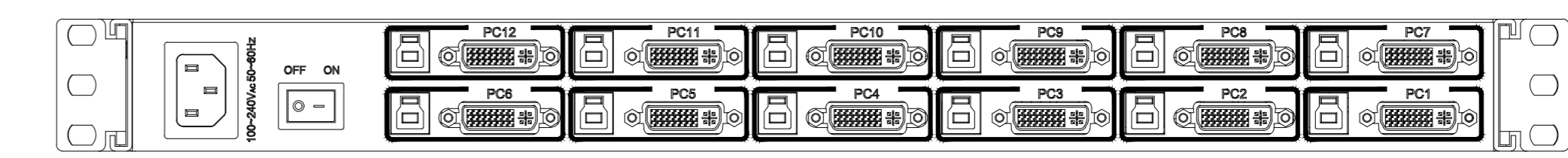
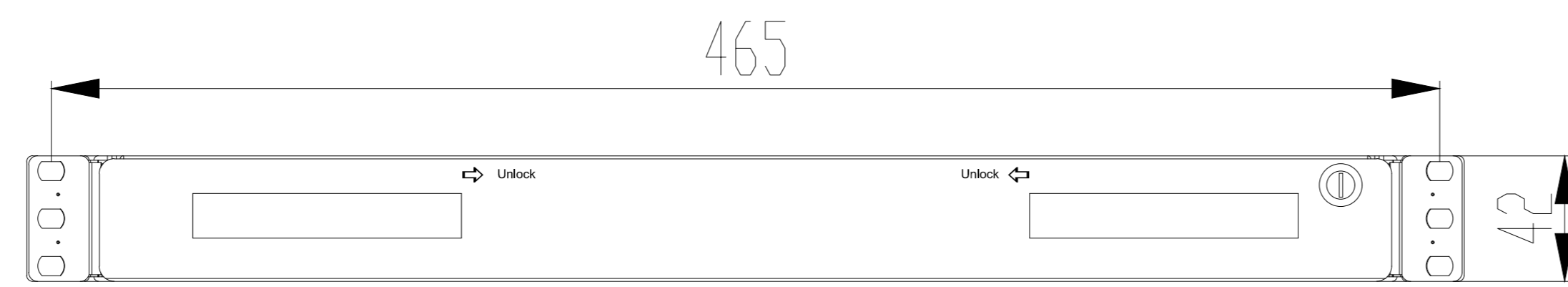
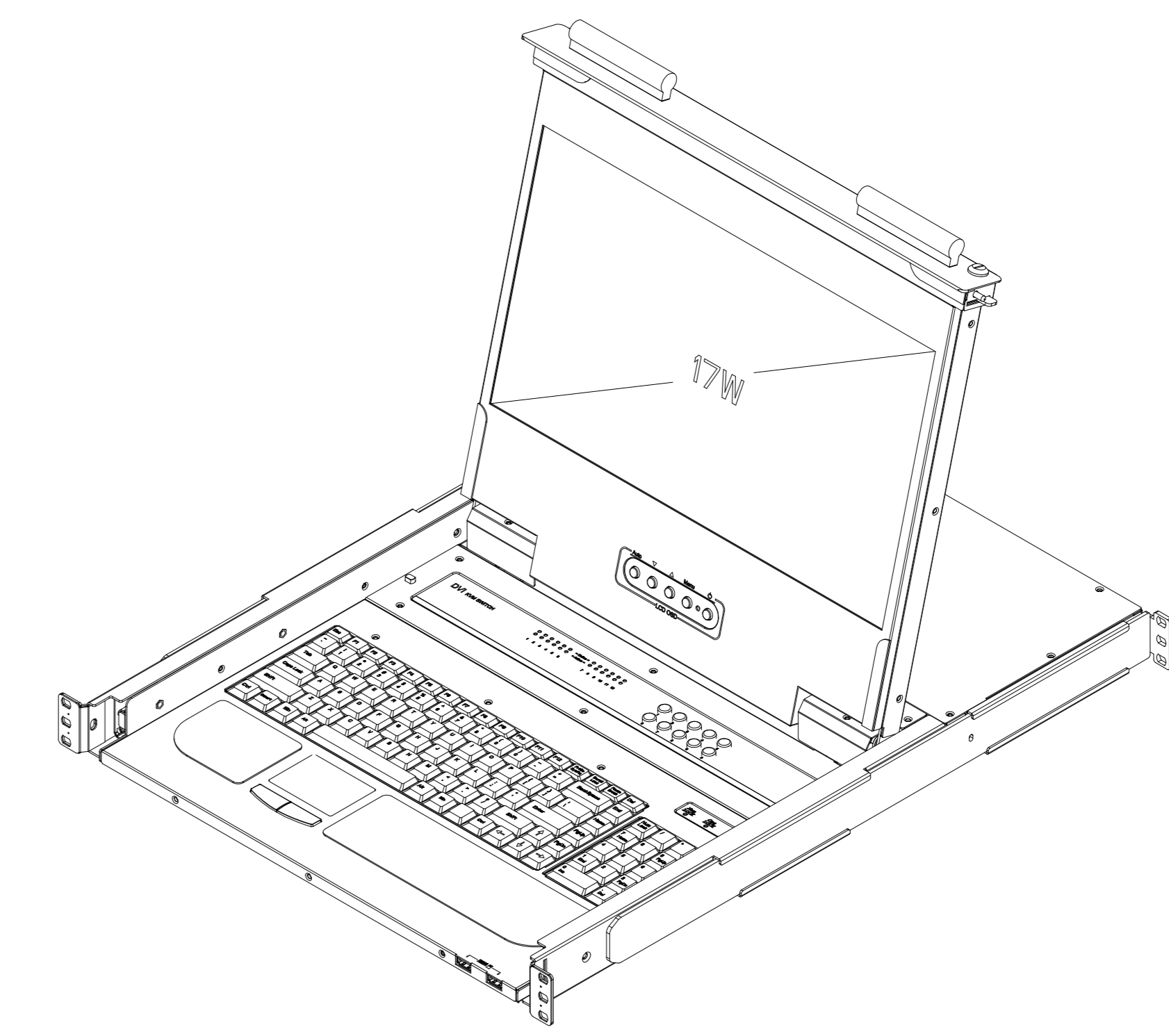
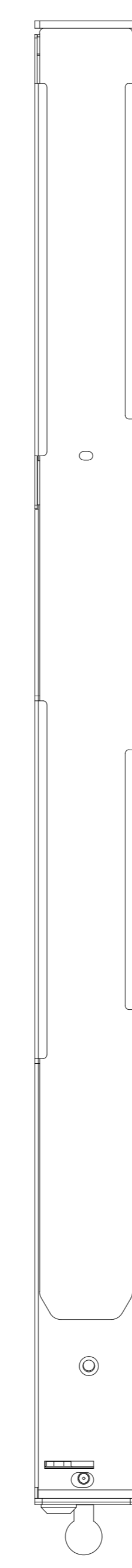
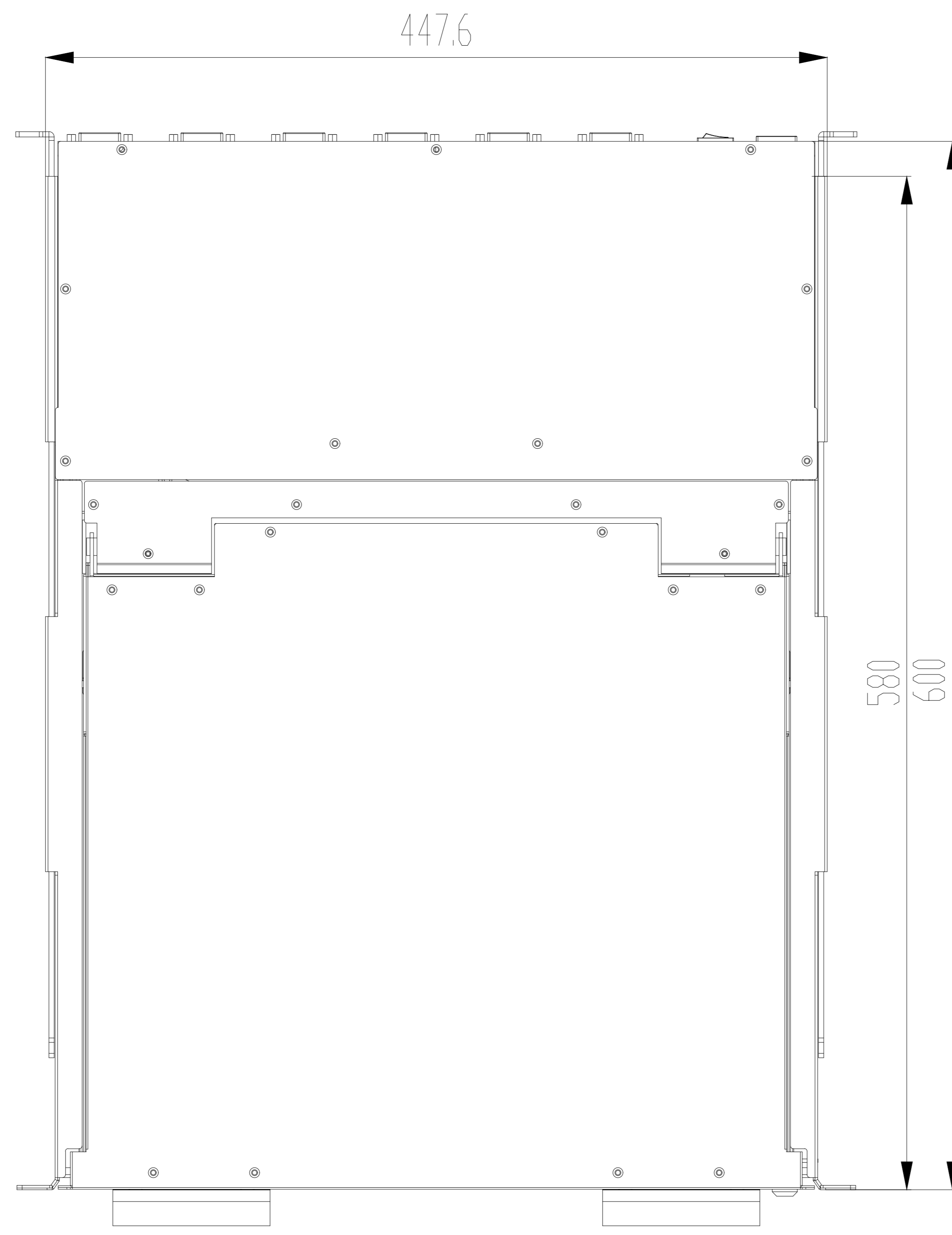
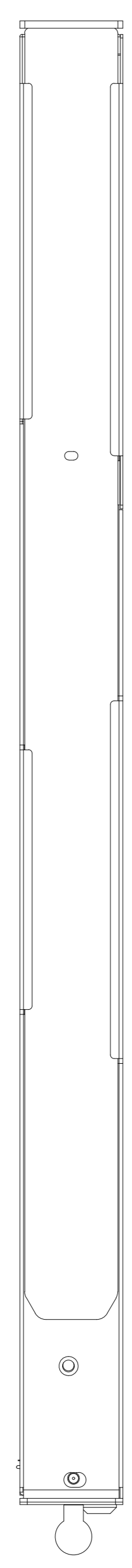
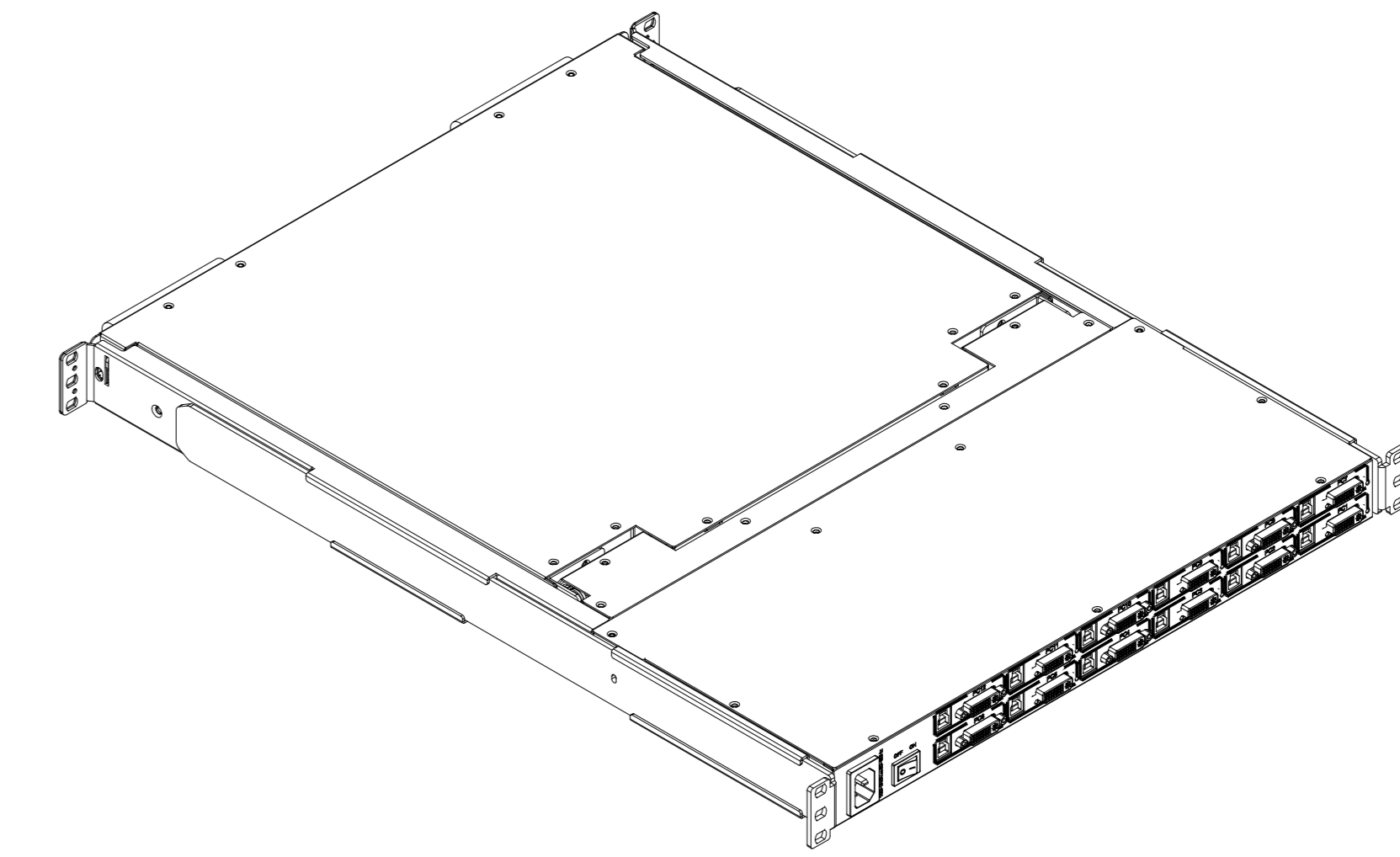
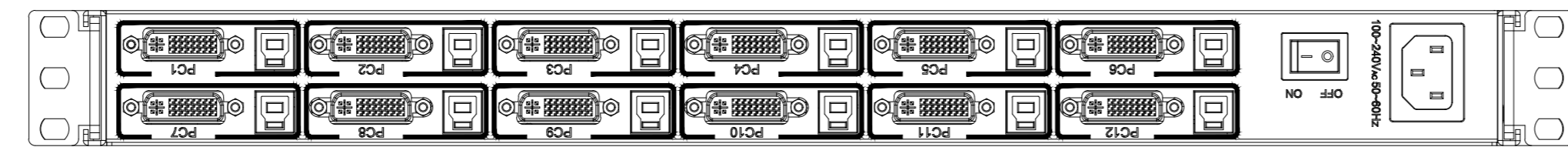
B

C

D

E

F



- 注意：
1. 所有工件必须倒毛刺 去接刀痕。
  2. 所有线性尺寸按GB1804-M级。
  3. Finish: Coating (Spec. See Sample)

TOL	< 30	: ±0.1	UNIT : mm	FINISHING	PART NO.	Ver.	A0
	30 < 120	: ±0.15					
3RD ANGLE'S	120 < 315	: ±0.2	APPROVED	MATERIAL	MOLD NO.	KVM-1712WPD-M2	Q'ty
	315 <	: ±0.3					
	ANGLE TOL	: ±0.5°					
SAIS - Sacasa Industries & Systèmes 8 rue André Marie Ampère 28500 Vernouillet - France 09 70 440 600 - (+ 33) 970 440 600 <a href="https://clavier-ecran-rackable.fr">https://clavier-ecran-rackable.fr</a> <a href="mailto:contact@sacasa.info">contact@sacasa.info</a>				CHECKED	TITLE	KVM-1712WPD-M2	
DESIGNED	LCH	2021-06-02	DRAWING NO.	KVM-1712WPD-M2			
DRAWN			SIZE	A3	SCALE	0,2	SHEET: 1 OF 1

MARK	DESCRIPTION	SING	DATE
△			
△			
△			

1 2 3 4 5 6 7 8