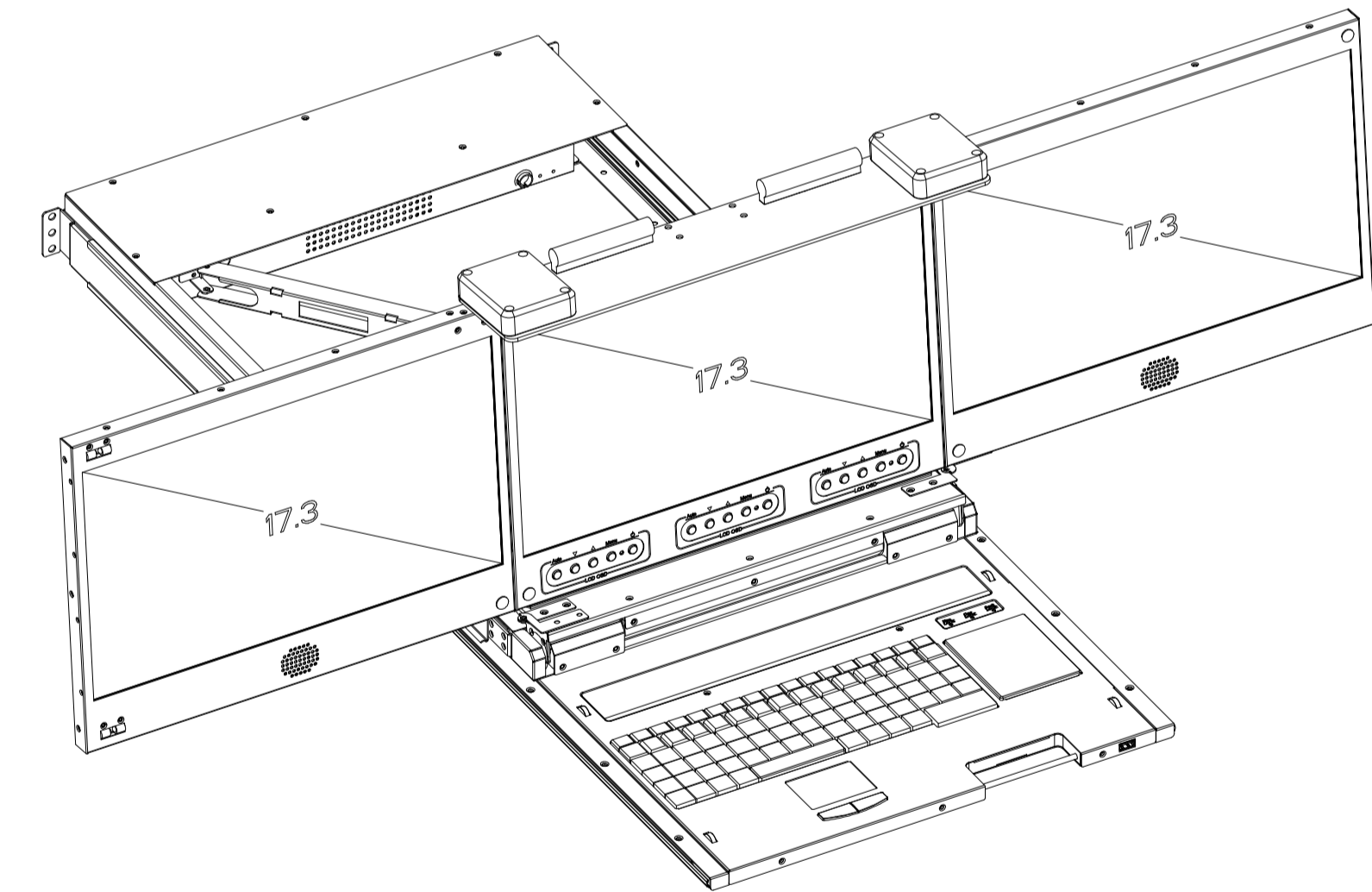
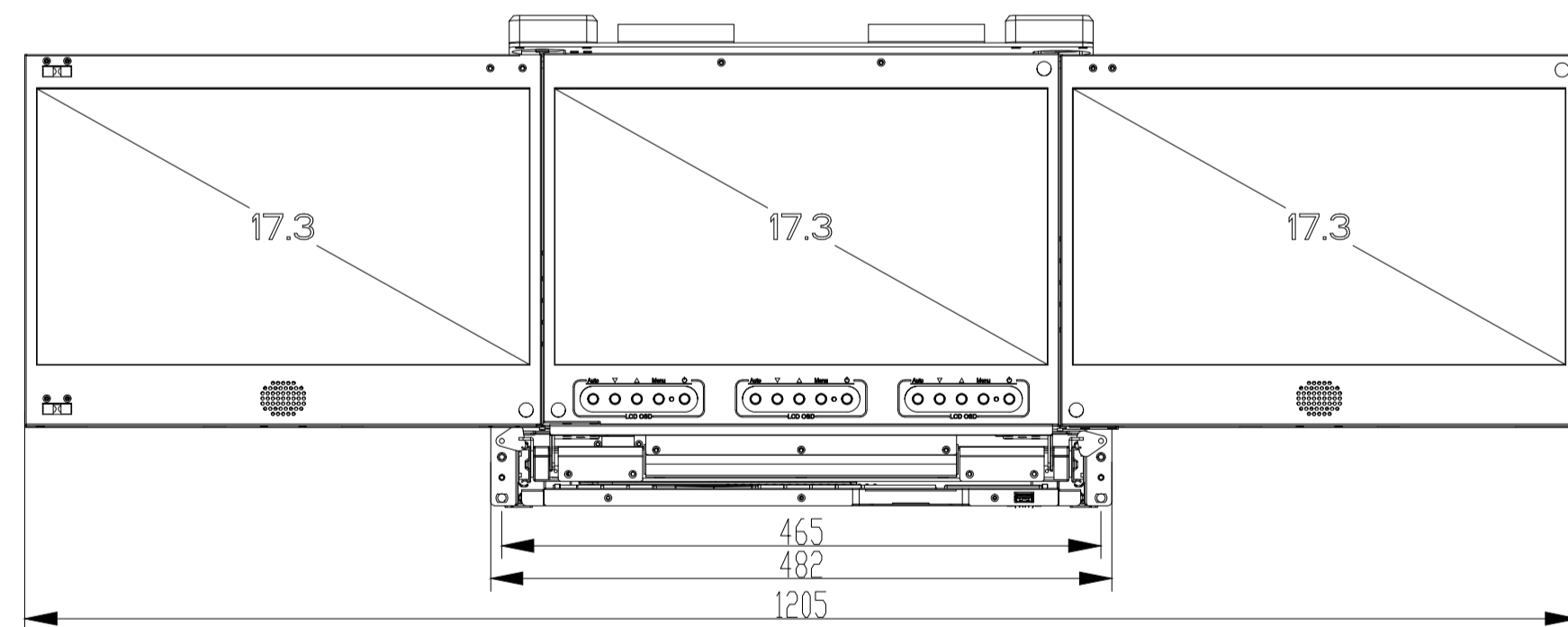
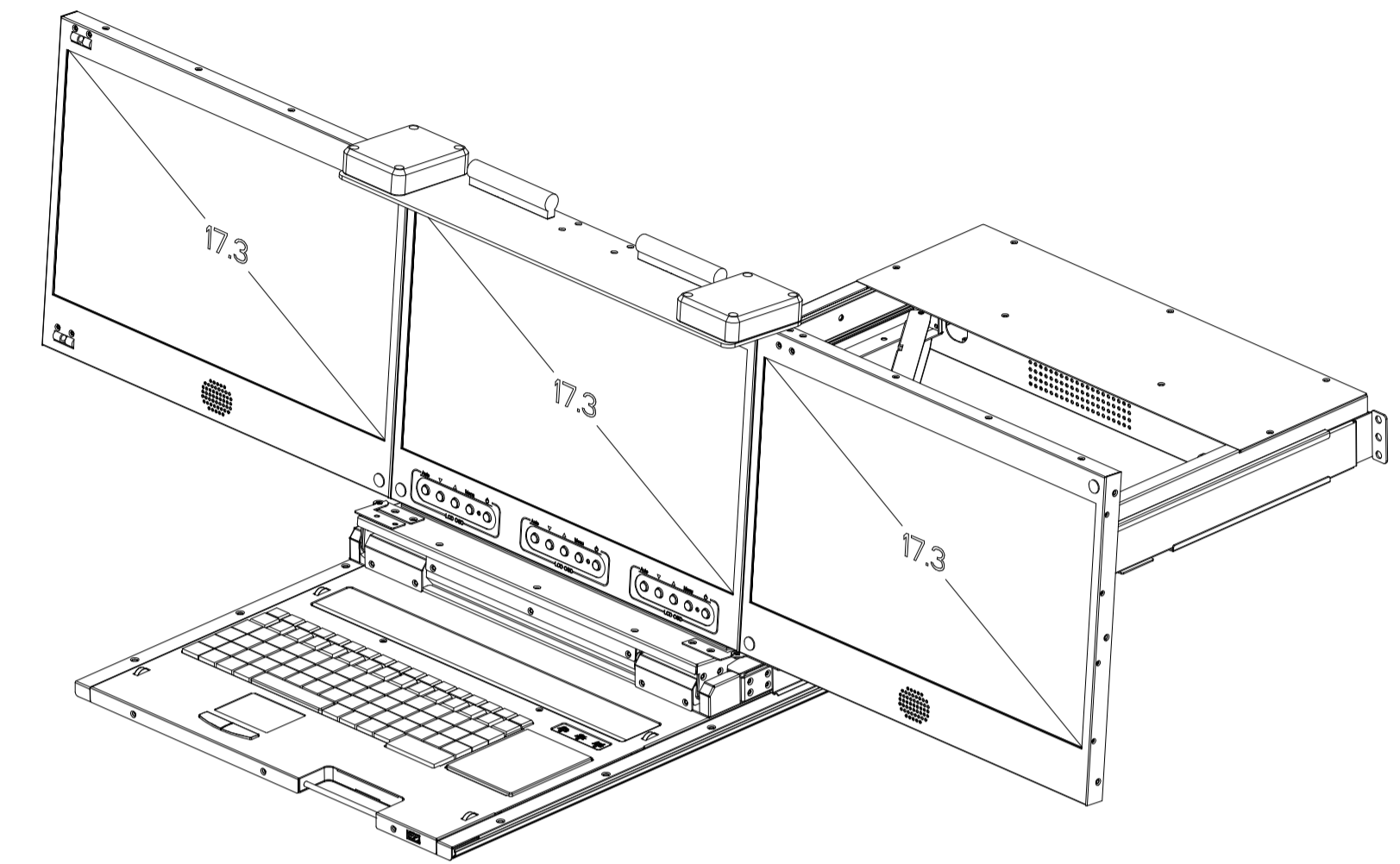
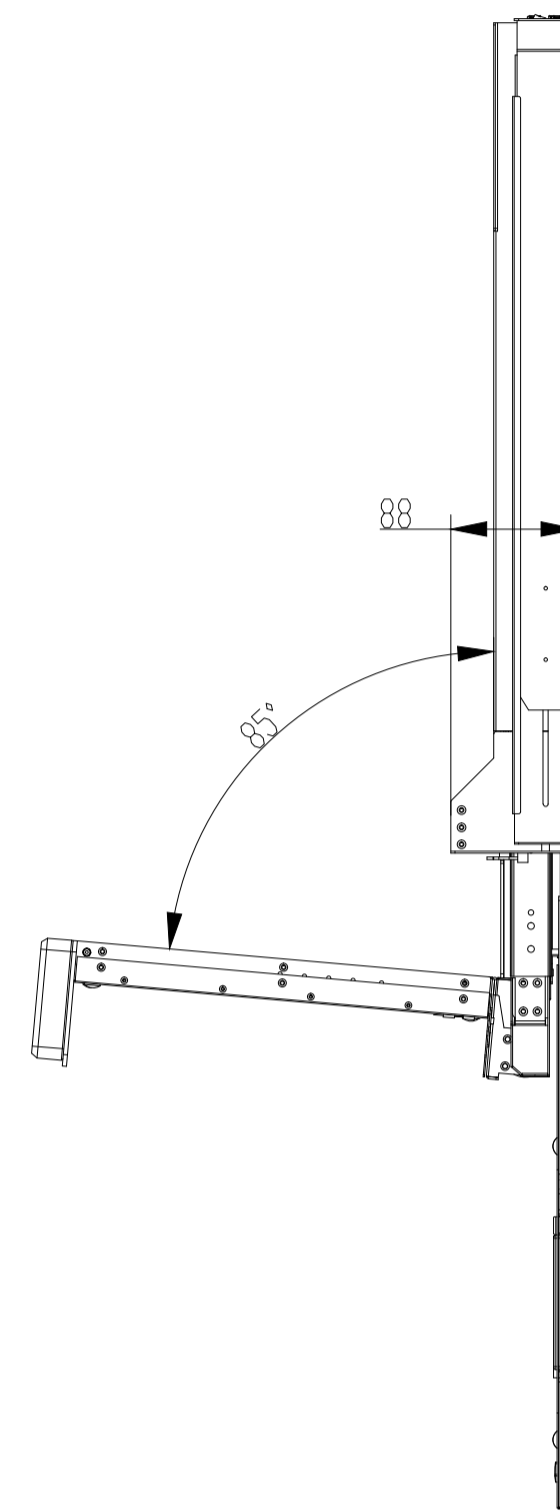
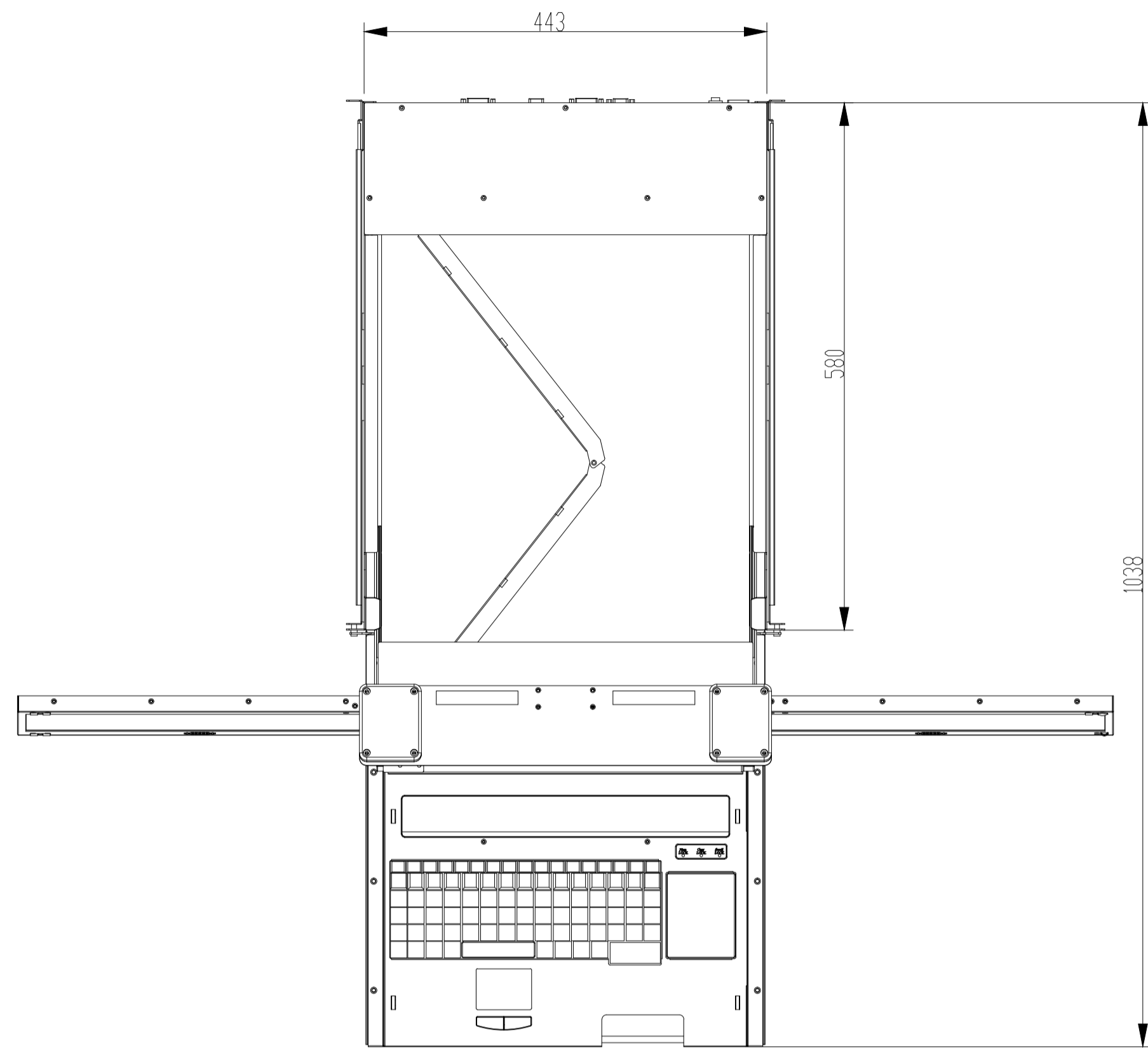


毛边朝	1、绿色面	2、白色面								
TOL	< 30	: ±0.1	UNIT : mm	FINISHING		PART NO.		Ver.	A0	
	30 < 120	: ±0.15	3RD ANGLE'S	MATERIAL	SGCC T=1.0mm	MOLD NO.	KVMD-1701W-T3	Q'ty	1	
	120 < 315	: ±0.2	APPROVED			TITLE		KVMD-1701W-T3		
	315 <	: ±0.3		CHECKED						
ANGLE TOL	: ±0.5°	DESIGNED	LCH	2017-01-11	DRAWING NO.					
			DRAWN			SIZE	A3	SCALE	0.2	SHEET: 1 OF 1

SAIS - Sacasa Industries & Systèmes  
 8 rue André Marie Ampère  
 28500 Vernouillet - France  
 09 70 440 600 - (+ 33) 970 440 600  
<https://clavier-ecran-rackable.fr>  
[contact@sacasa.info](mailto:contact@sacasa.info)

△			
△			
△			
MARK	DESCRIPTION	SING	DATE
1		2	



△			
△			
△			
MARK	DESCRIPTION	SING	DATE
	1		2

毛边朝 1、绿色面 2、白色面

TOL	< 30	: ±0.1
	30 < 120	: ±0.15
	120 < 315	: ±0.2
	315 <	: ±0.3
	ANGLE TOL	: ±0.5°

UNIT : mm	FINISHING	PART NO.	Ver.	A0
3RD ANGLE'S	MATERIAL	MOLD NO.	Q'ty	1
⊕	APPROVED	TITLE	KVMD-1701W-T3	
	CHECKED	DRAWING NO.		
	DESIGNED	SIZE	A3	SCALE 0.1
	DRAWN	SHEET:	1	OF 1

SAIS - Sacasa Industries & Systèmes  
 8 rue André Marie Ampère  
 28500 Vernouillet - France  
 09 70 440 600 - (+ 33) 970 440 600  
<https://clavier-ecran-rackable.fr>  
[contact@sacasa.info](mailto:contact@sacasa.info)