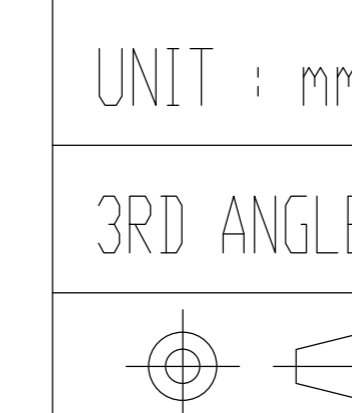


注意:

1. 所有工件必须倒毛刺 去接刀痕。
2. 所有线性尺寸按GB1804-M级。
3. Finish: Coating (Spec. See Sample)

毛边朝 1、绿色面 2、白色面

TOL	< 30	: ±0.1
	< 120	: ±0.15
	< 315	: ±0.2
	< 315	: ±0.3
	ANGLE TOL	: ±0.5°



SAIS - Sacasa Industries & Systèmes
 8 rue André Marie Ampère
 28500 Vernouillet - France
 09 70 440 600 - (+33) 970 440 600
<https://clavier-ecran-rackable.fr>
contact@sacasa.info

UNIT : mm	FINISHING	PART NO.	Ver.	A0
3RD ANGLE'S	MATERIAL	MOLD NO.	KVM-17W104-T3	Qty
APPROVED		TITLE	KVM-17W104-T3-OPEN	
CHECKED		DRAWING NO.	KVM-17WT3.DWG	
DESIGNED	LCH	2018-12-1	SIZE	A3
DRAWN		2018-12-1	SCALE	0.2
			SHEET:	1 OF 1

△			
△			
△			
MARK	DESCRIPTION	SING	DATE
	1		2