

1 2 3 4 5 6 7 8

A

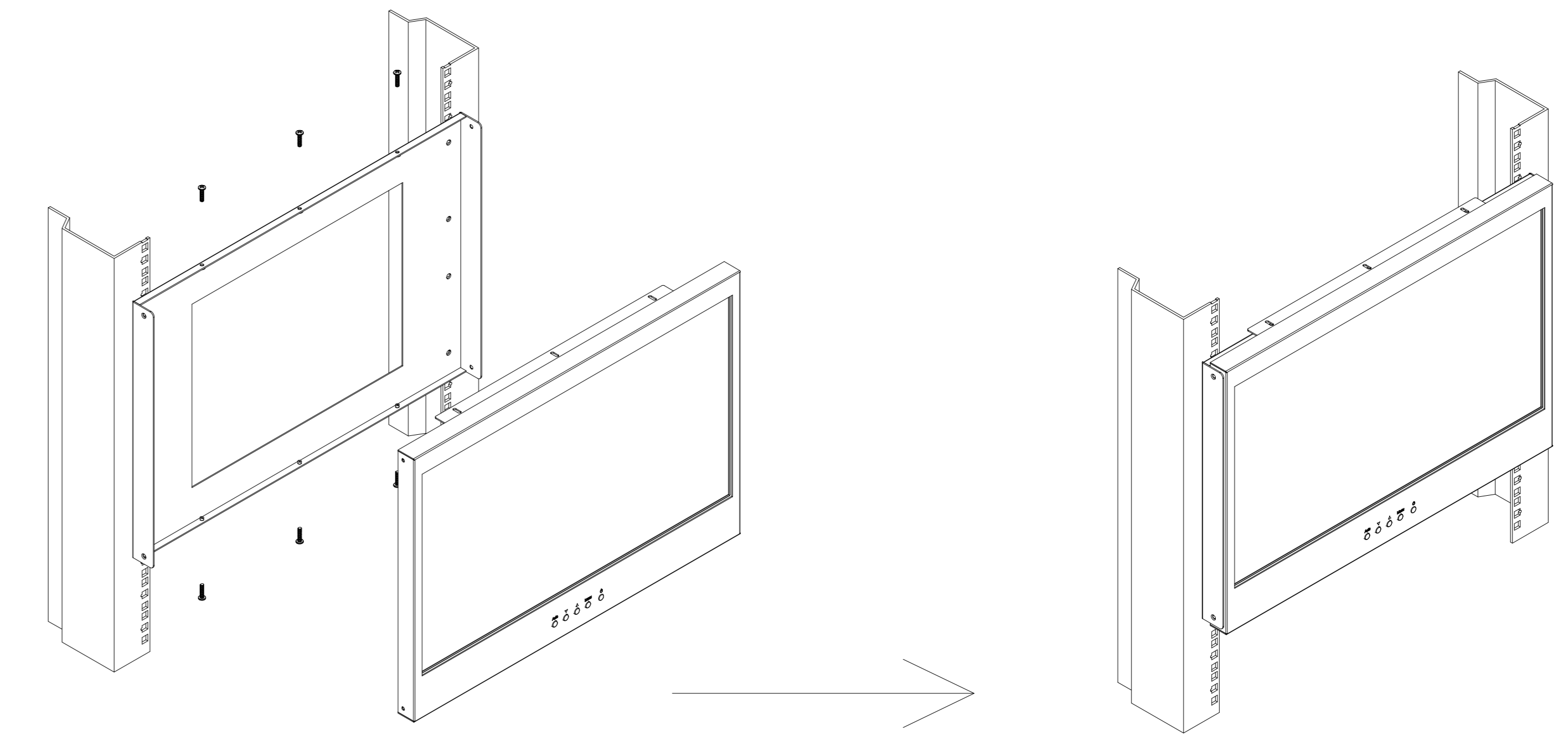
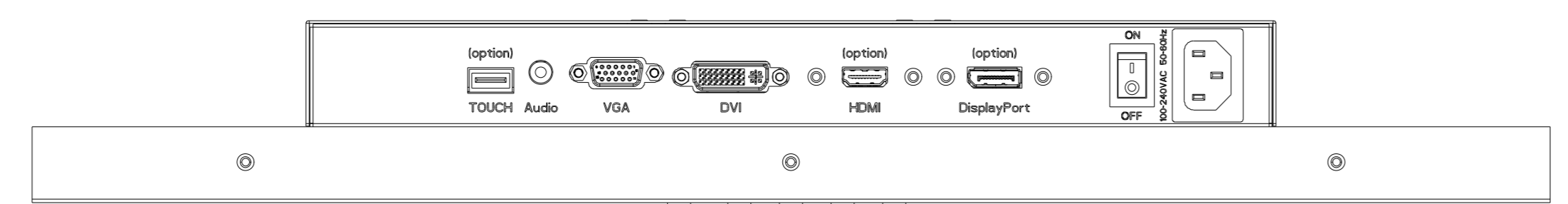
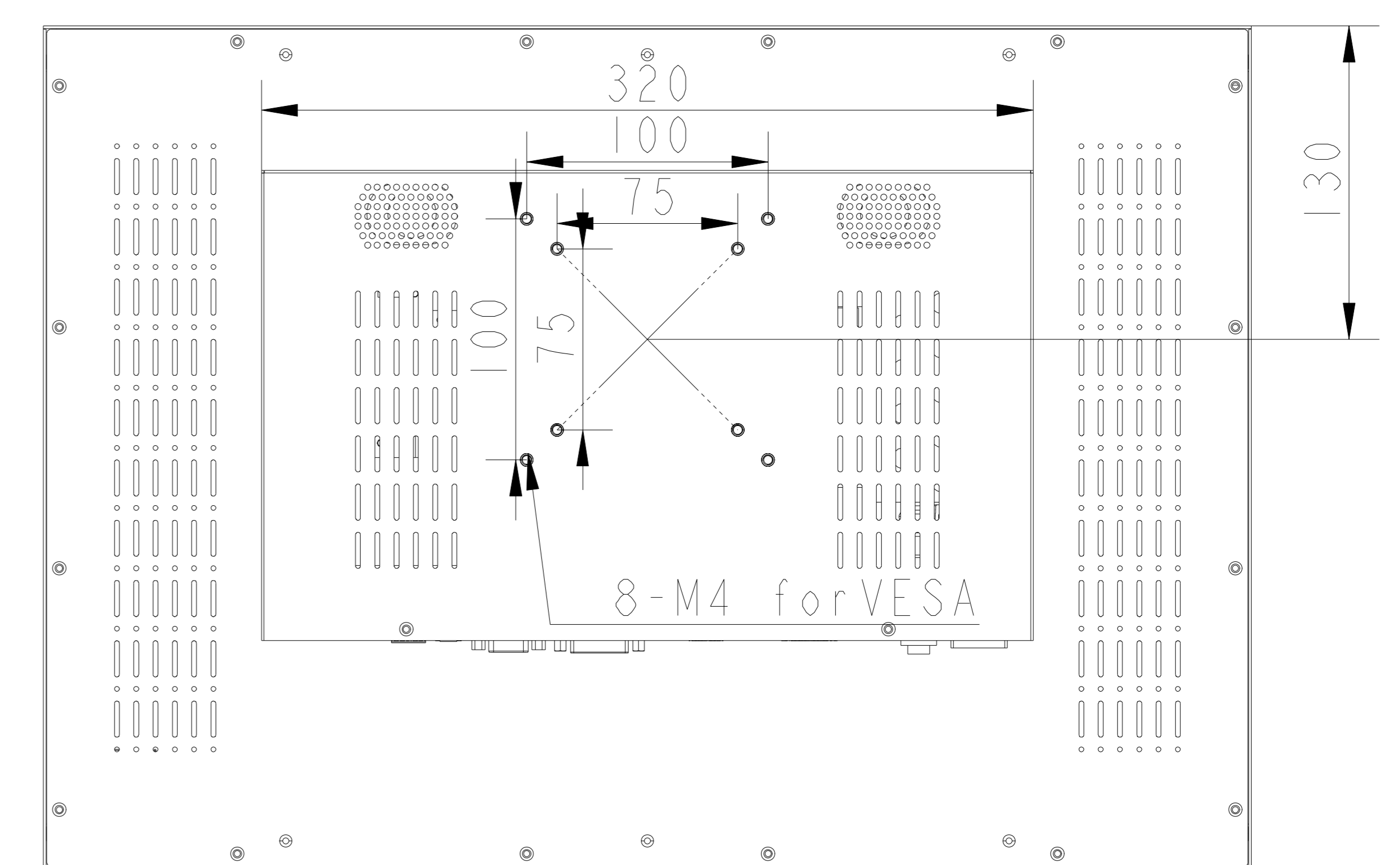
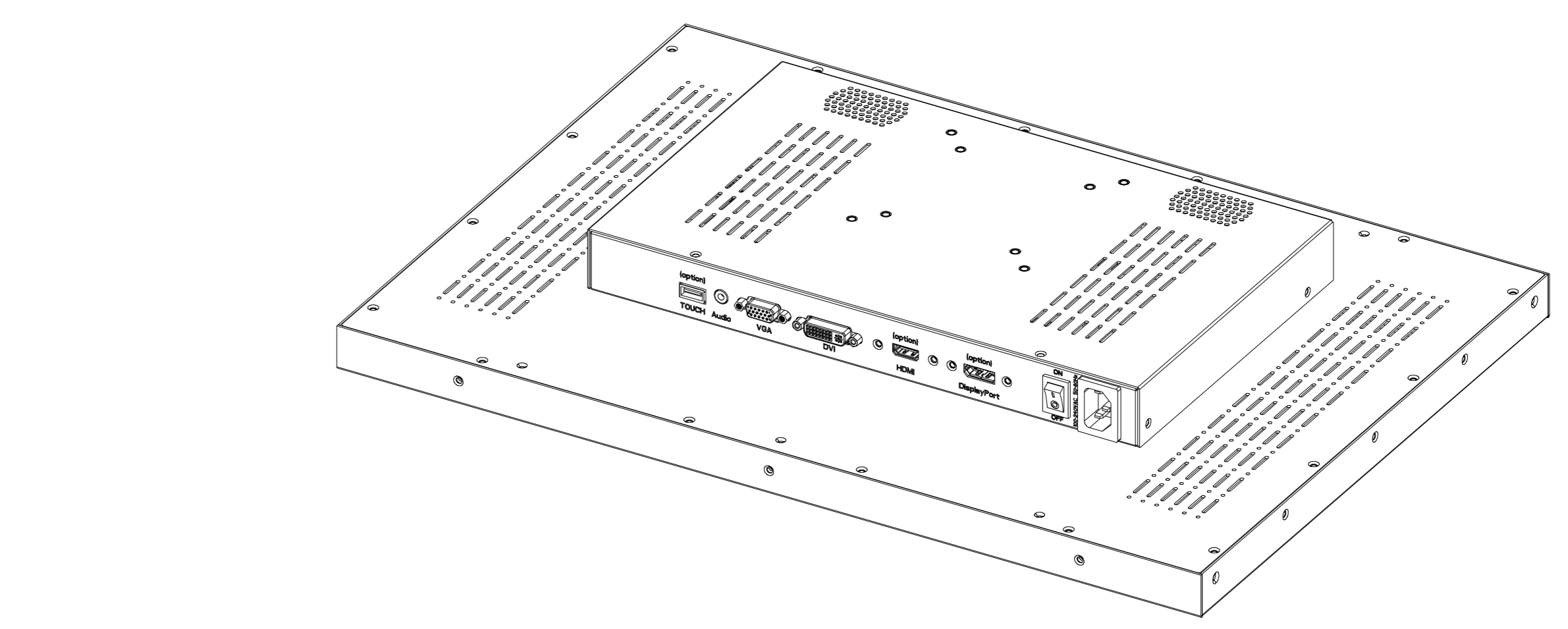
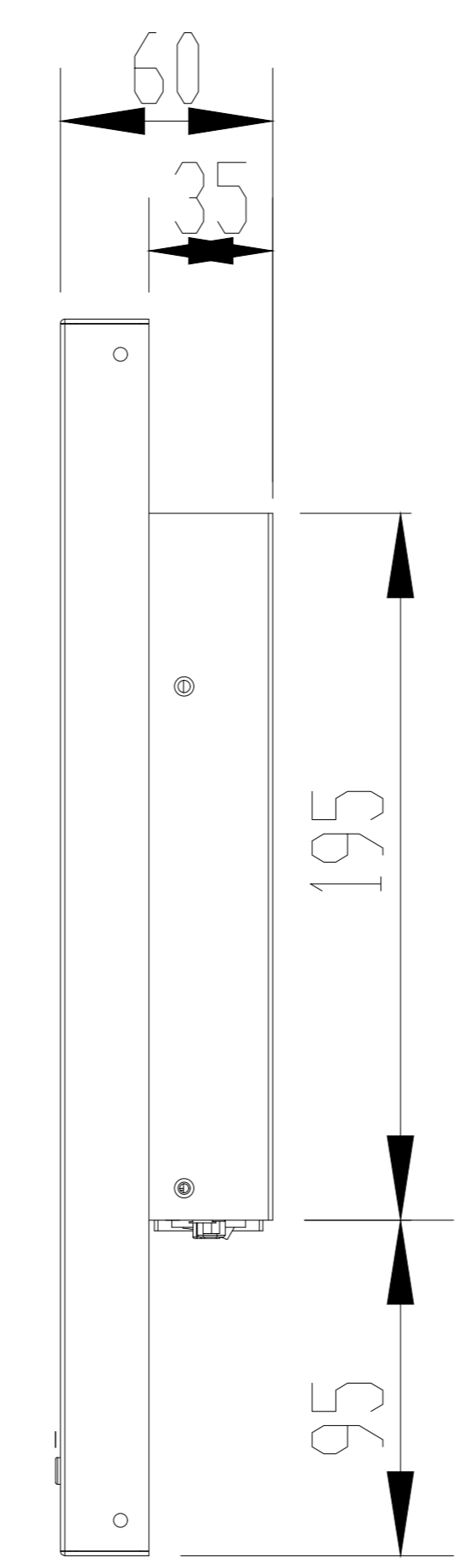
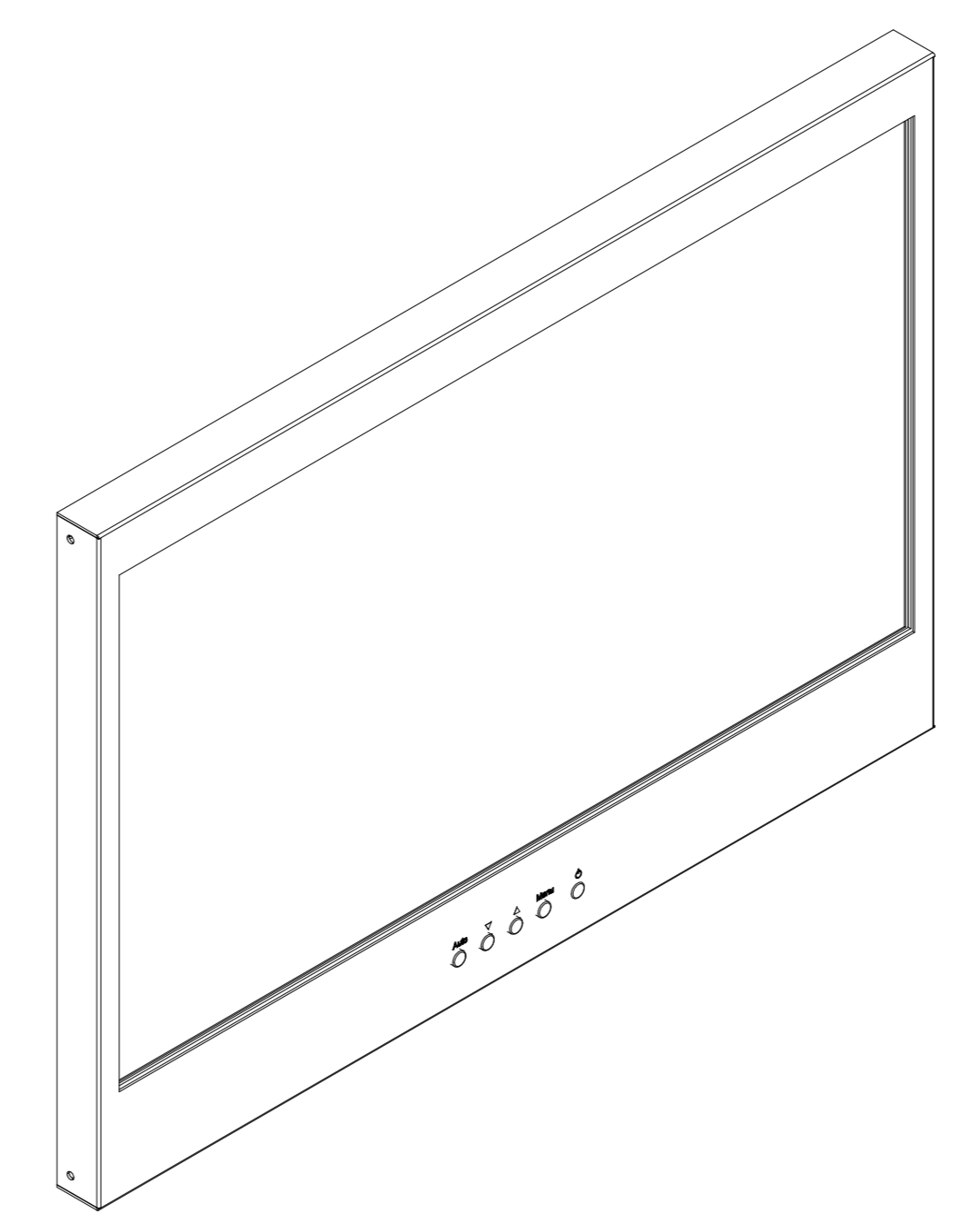
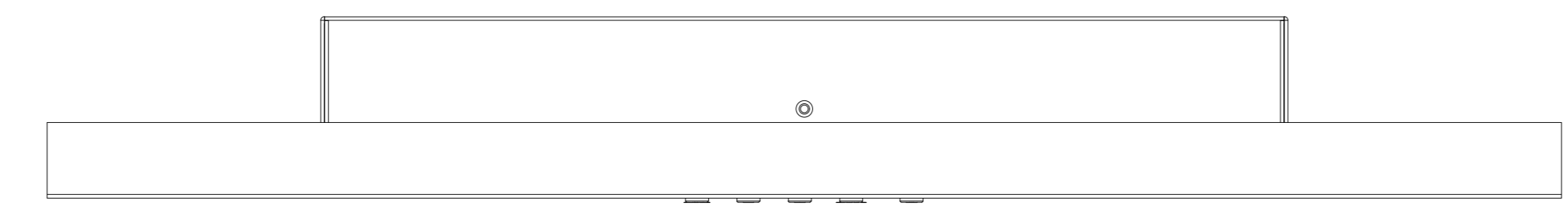
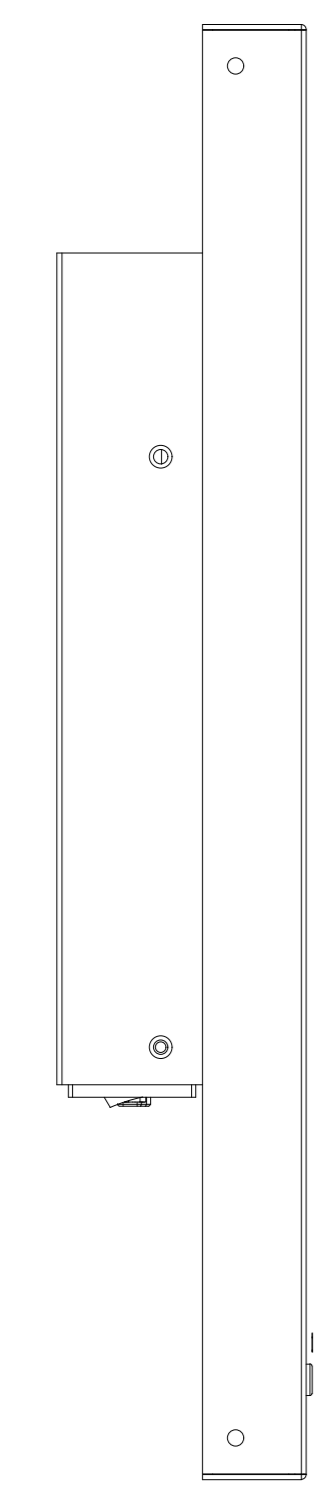
B

C

D

E

F



RACK-MOUNTING-19"8U

TOL	< 30	: ±0.1	UNIT : mm	FINISHING	PART NO.	Ver.	A0					
	30 < 120	: ±0.15					3RD ANGLE'S	MATERIAL	MOLD NO.	RMB-21W	Qty	1
	120 < 315	: ±0.2					APPROVED	CHECKED	TITLE	RMB-21W		
	315 <	: ±0.3								DESIGNED	LiuChunhua	2021-7-18
ANGLE TOL	: ±0.5°											
SAIS - Sacasa Industries & Systèmes 8 rue André Marie Ampère 28500 Vernouillet - France 09 70 440 600 - (+ 33) 970 440 600 https://clavier-ecran-rackable.fr contact@sacasa.info				DRAWN		SIZE	A3	SCALE	0,200	SHEET:	OF	

1 2 3 4 5 6 7 8