

1 2 3 4 5 6 7 8

A

B

C

D

E

F

A

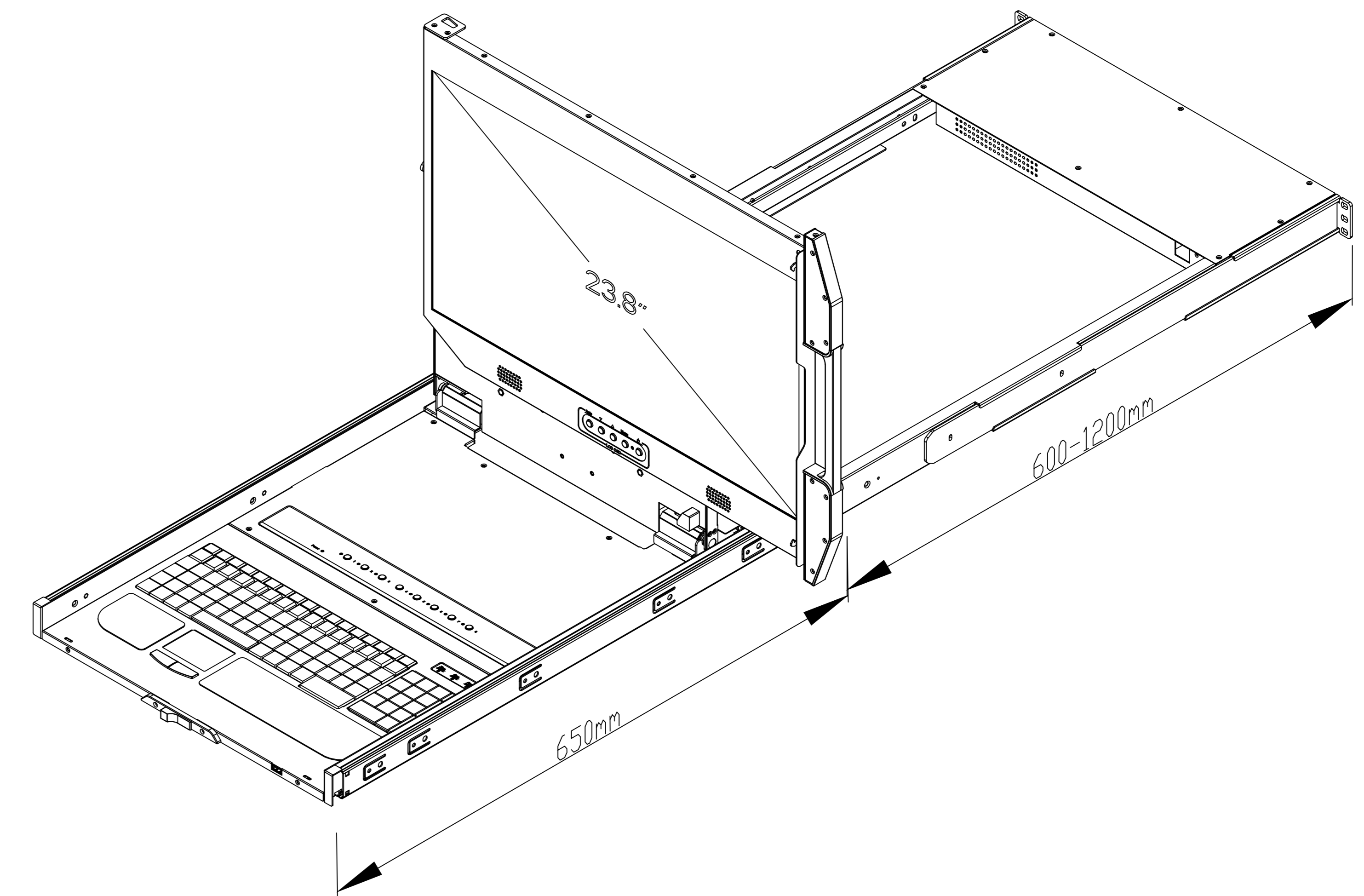
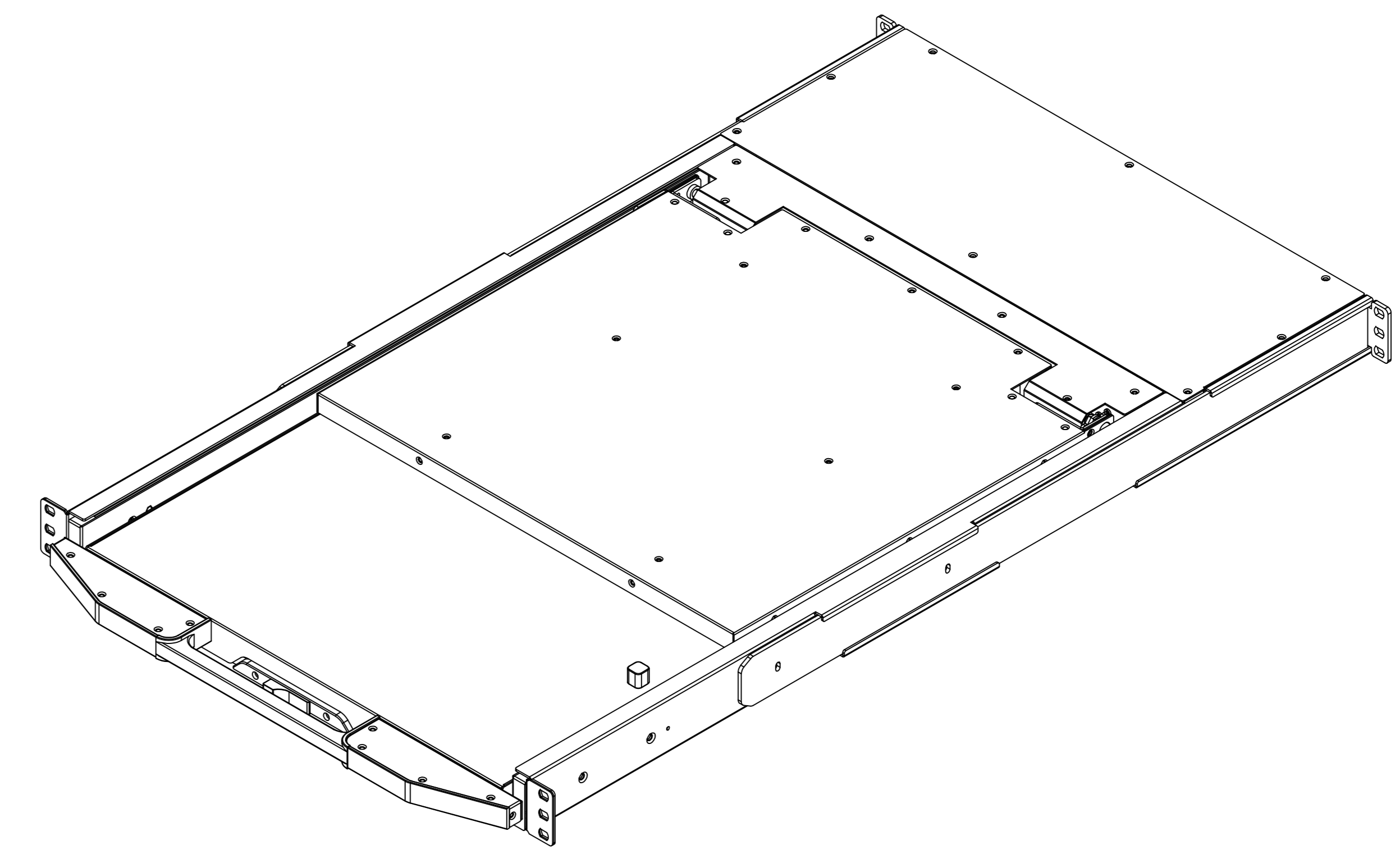
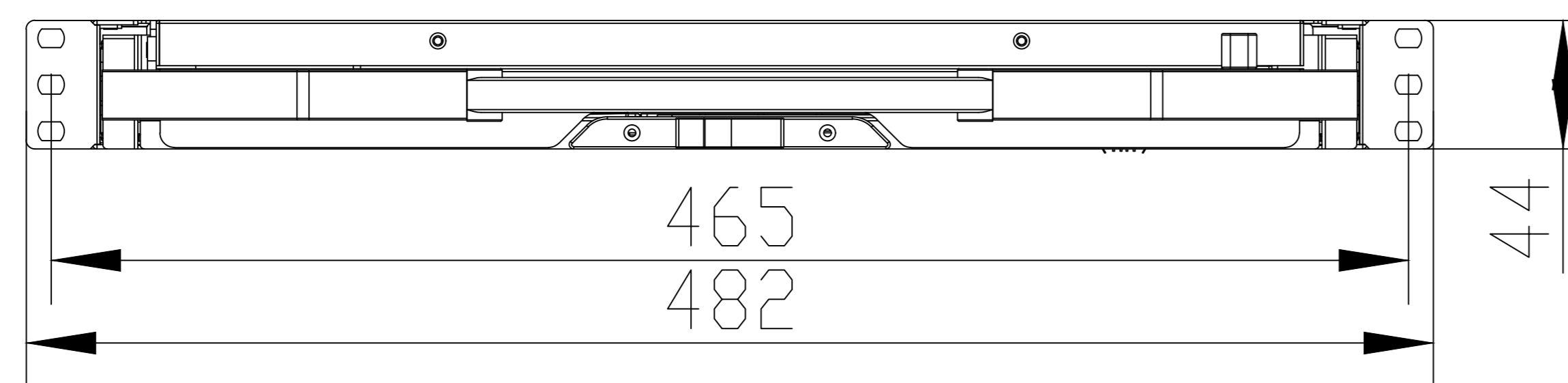
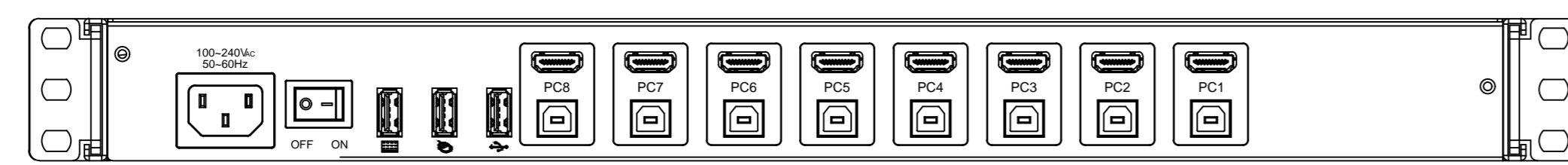
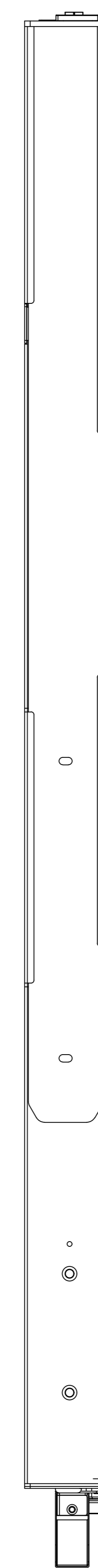
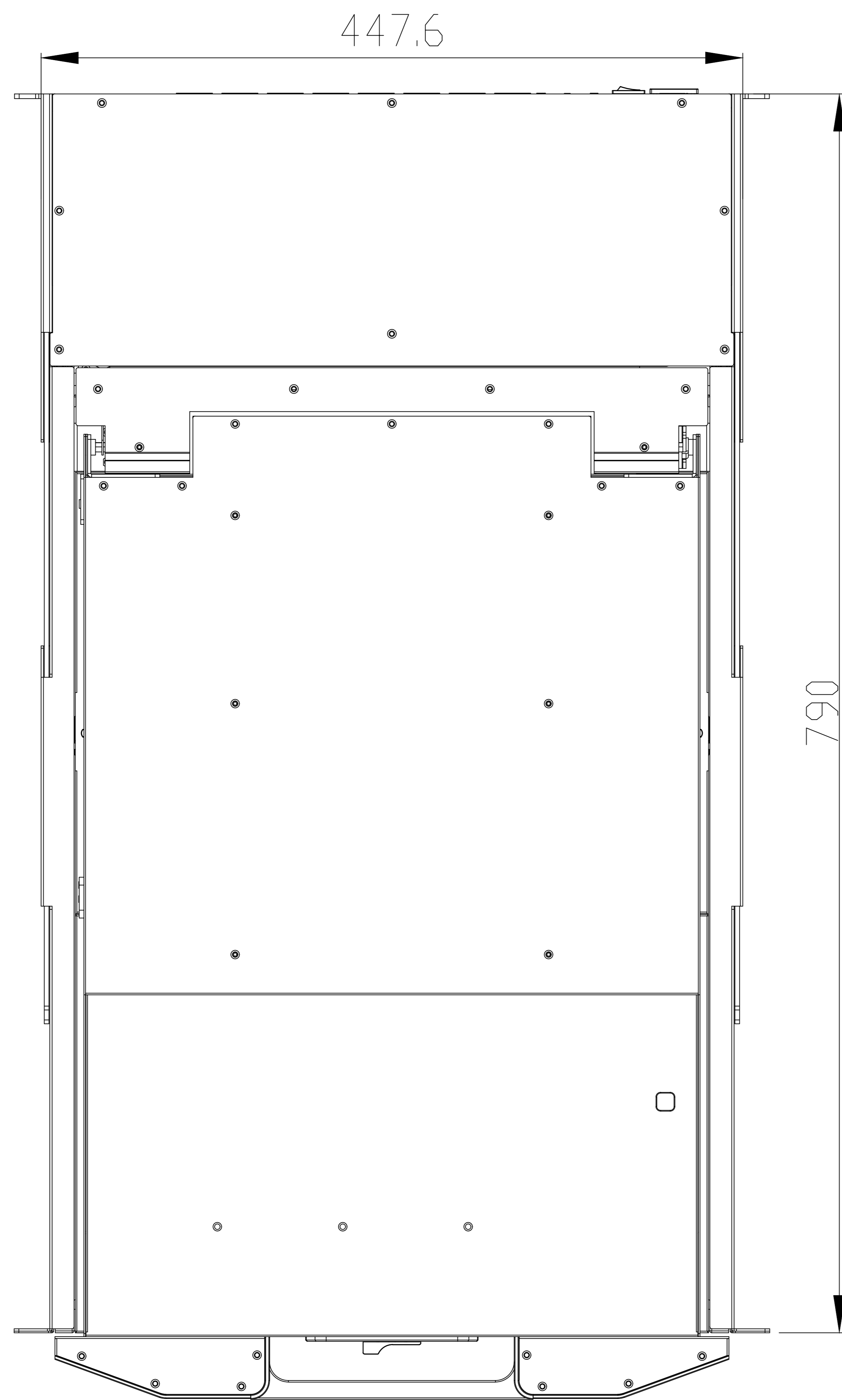
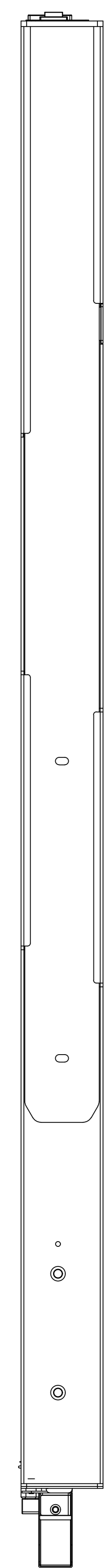
B

C

D

E

F



TOL	< 30	: ±0.1	UNIT : mm	FINISHING		PART NO.	***	Ver.	A0
	30 < 120	: ±0.15		3RD ANGLE'S	MATERIAL	SGCC	MOLD NO.	KVM-2408WHD-M5	Q'ty
	120 < 315	: ±0.2		APPROVED		TITLE		KVM-2408WHD-M5-8hdmi	
	315 <	: ±0.3		CHECKED		DESIGNED	LCH	2020-7-22	DRAWING NO.
	ANGLE TOL	: ±0.5°		DRAWN		SIZE	A3	SCALE	0.2
SAIS - Sacasa Industries & Systèmes 8 rue André Marie Ampère 28500 Vernouillet - France 09 70 440 600 - (+ 33) 970 440 600 https://clavier-ecran-rackable.fr contact@sacasa.info						SHEET:	1 OF 1		

△			
△			
△			
MARK	DESCRIPTION	SING	DATE
1		2	

1 2 3 4 5 6 7 8