

1 2 3 4 5 6 7 8

A

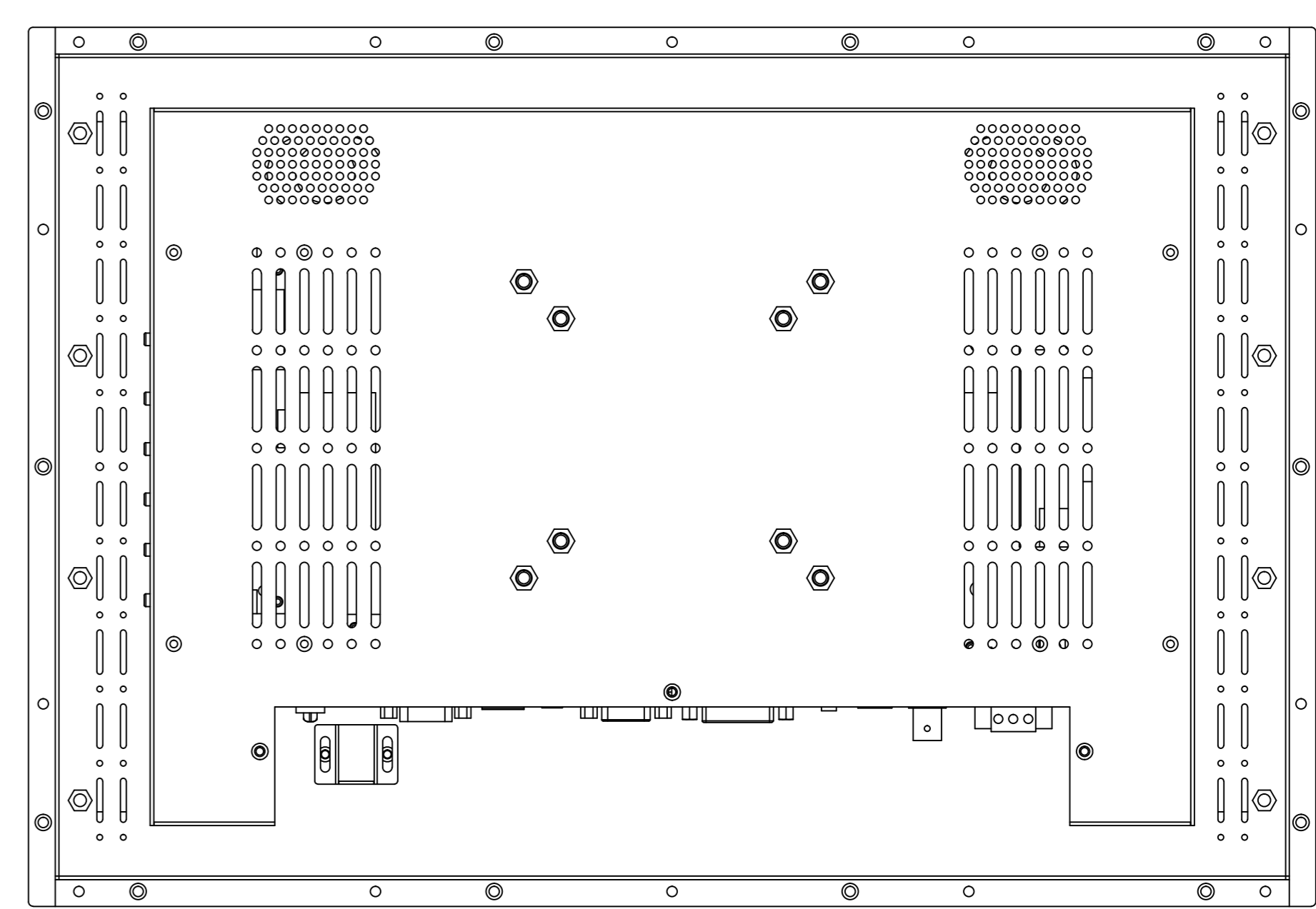
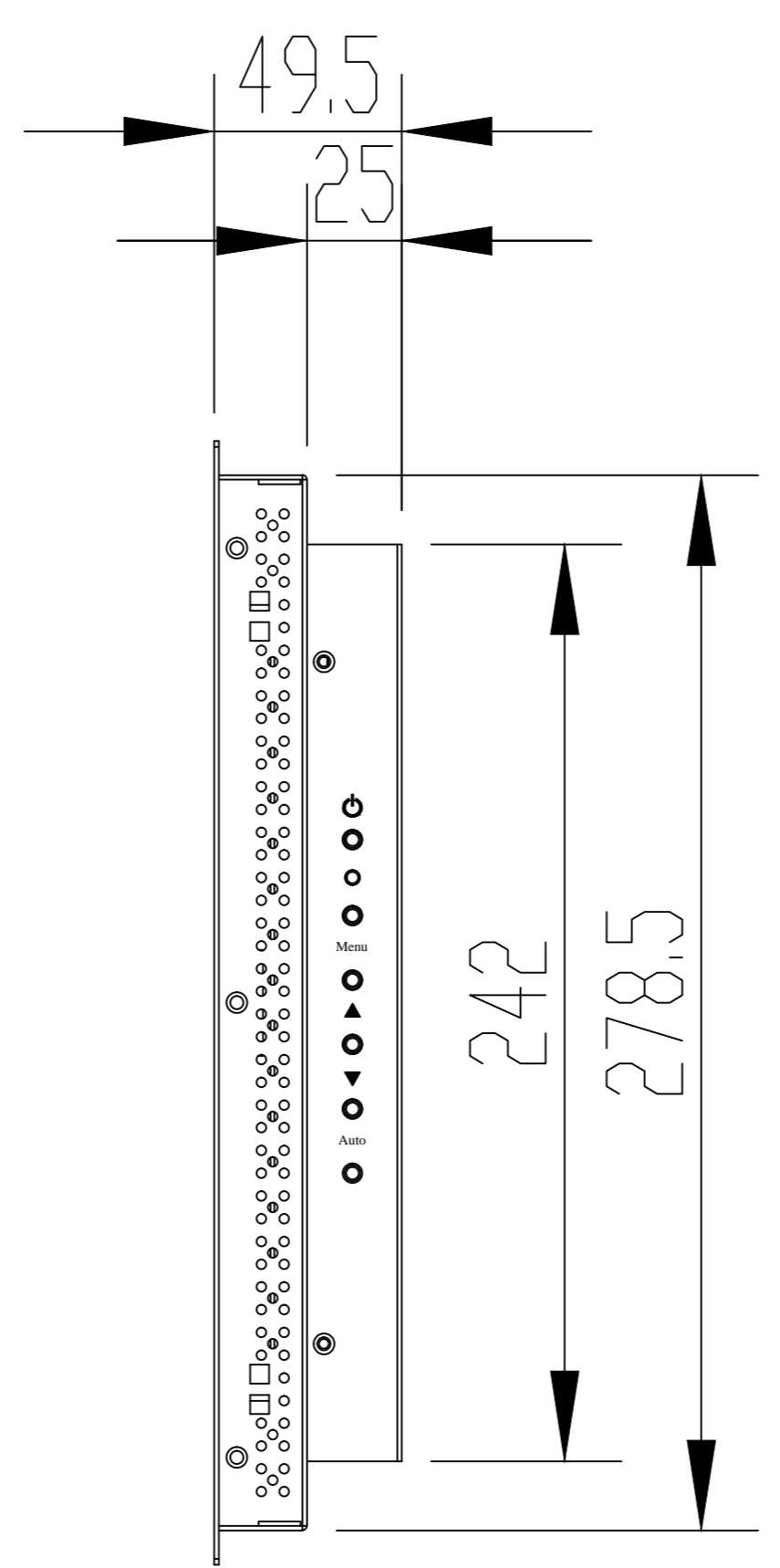
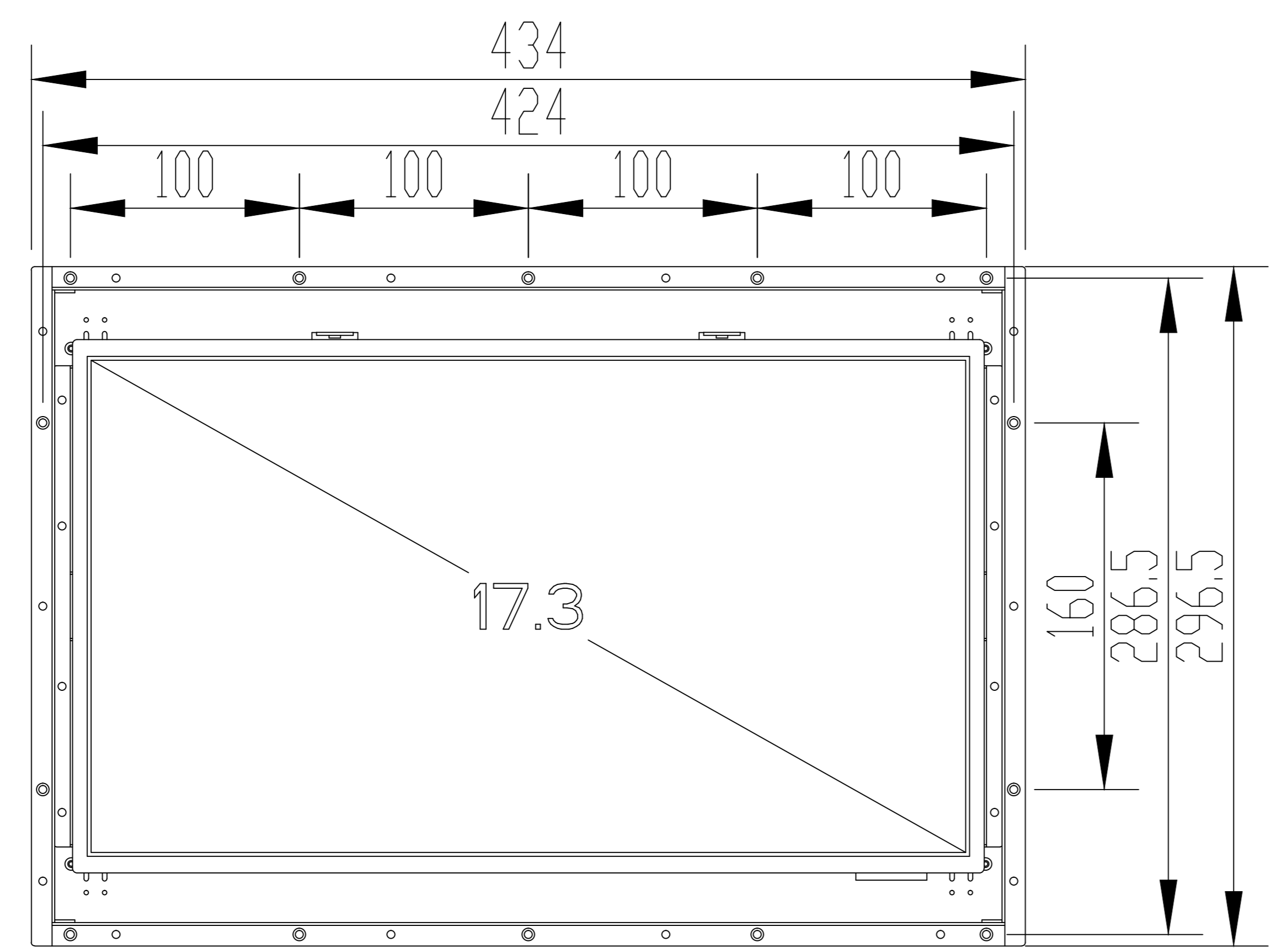
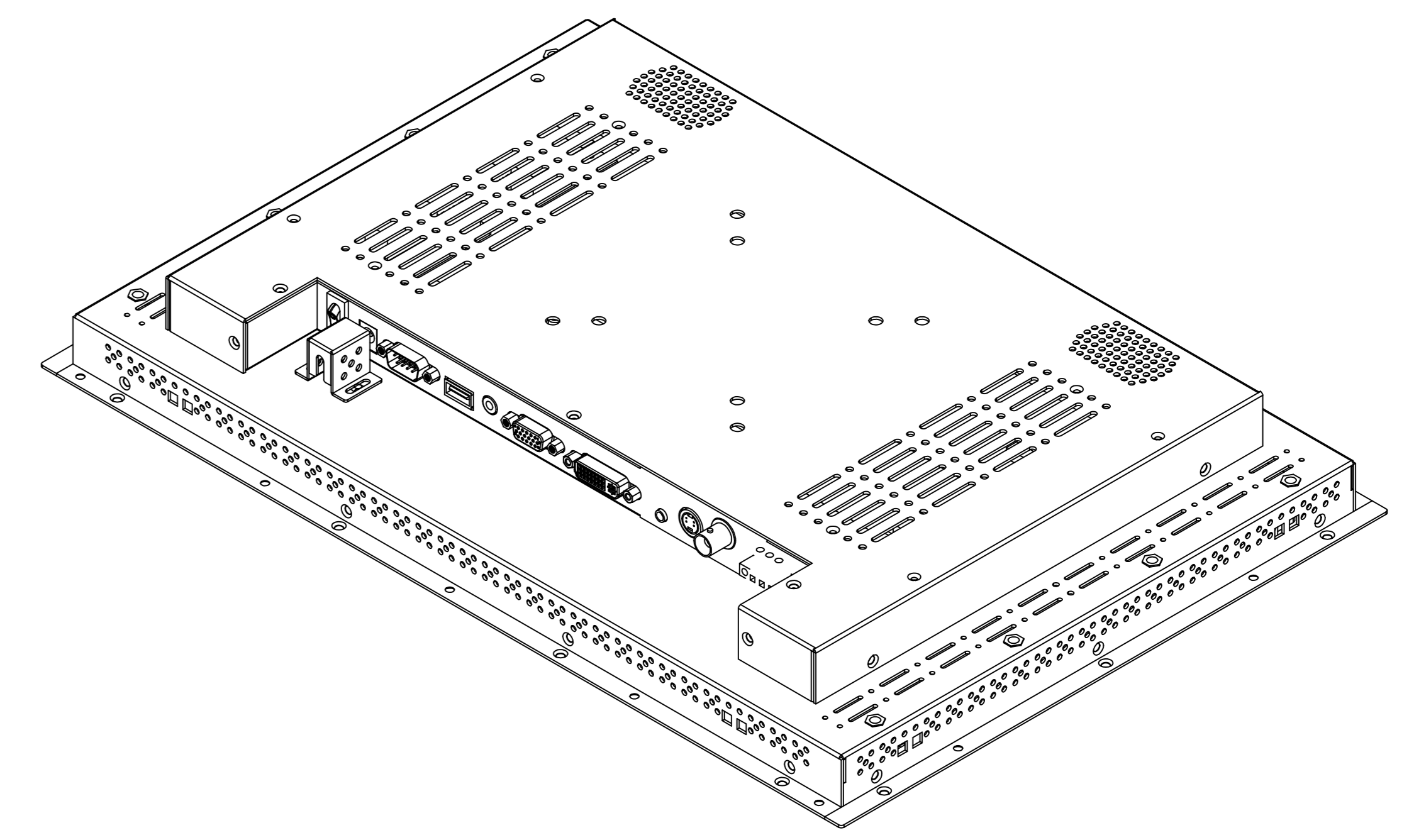
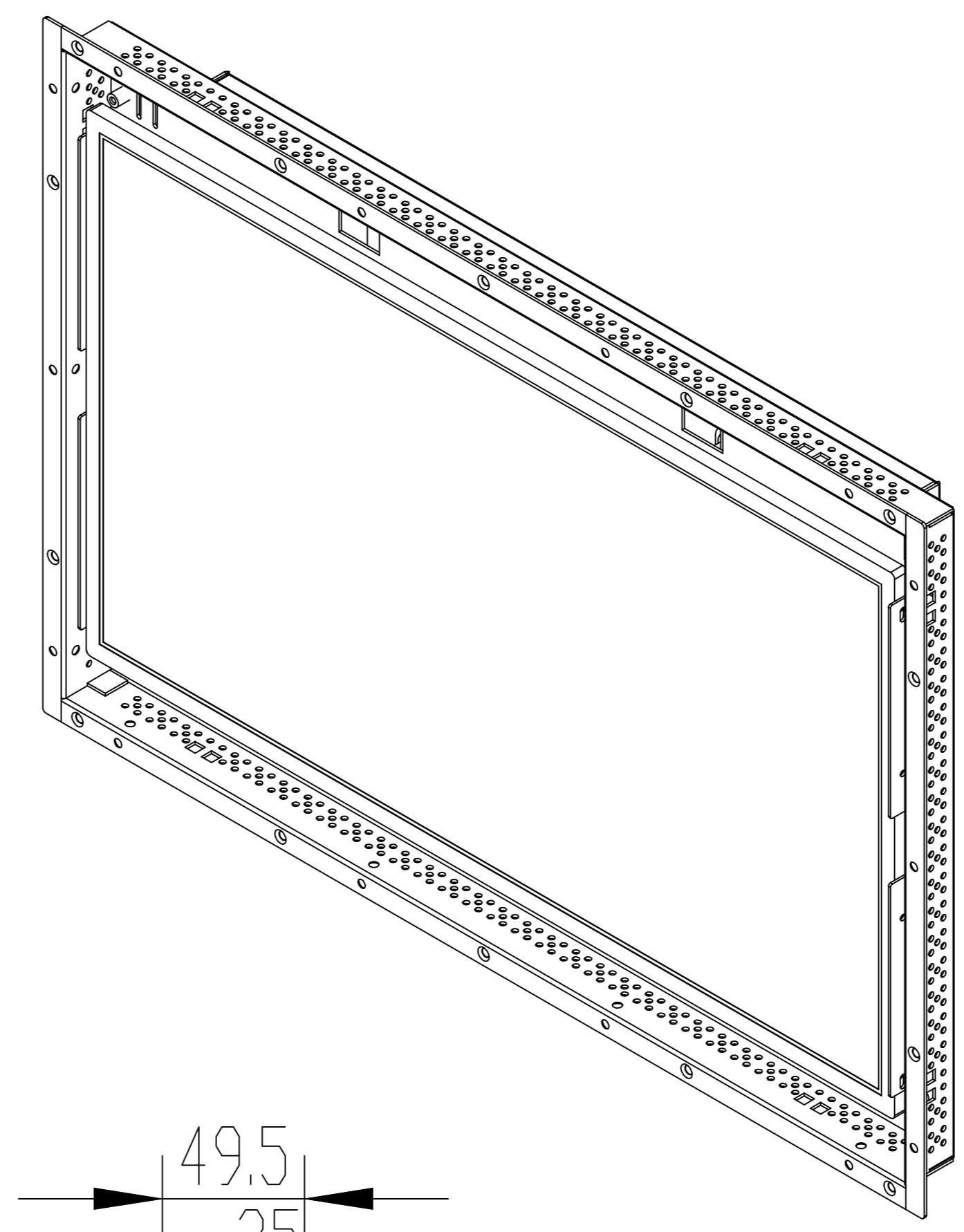
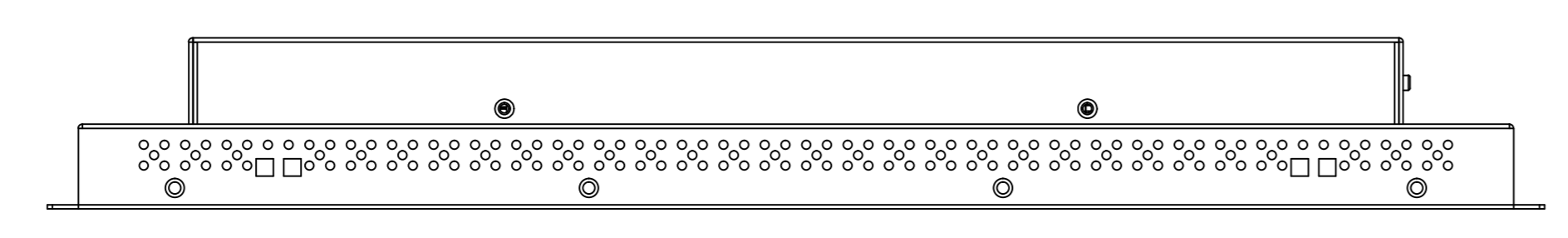
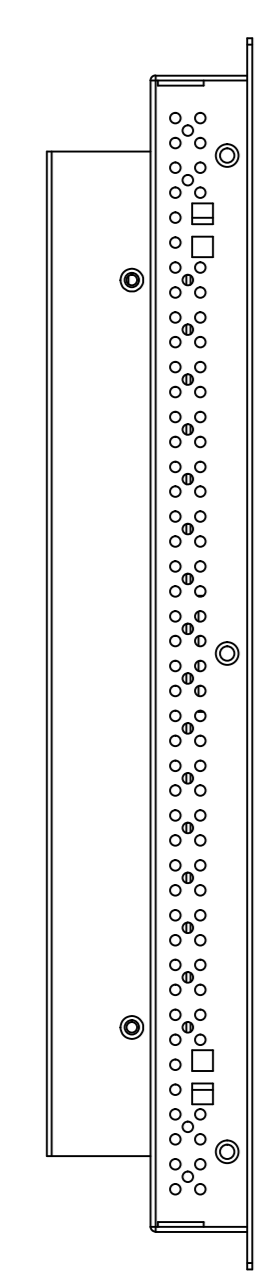
B

C

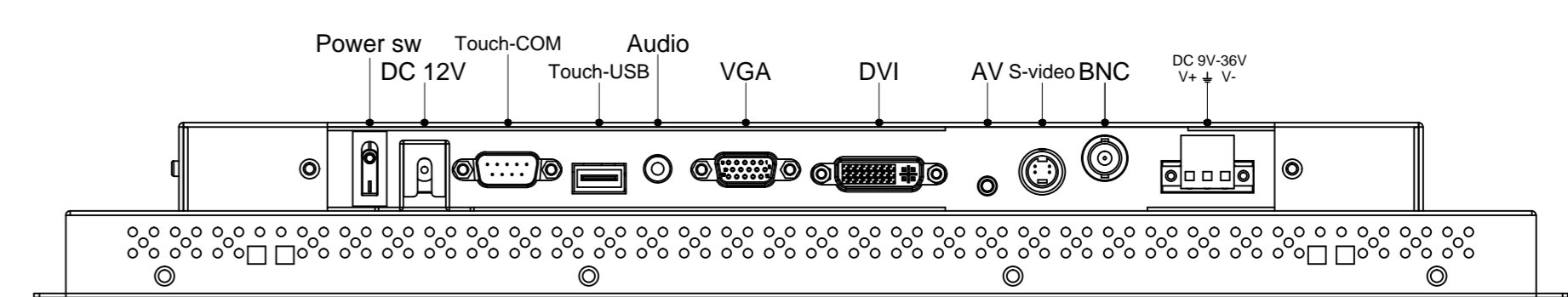
D

E

F



Panel Mounting cut size : 418 x 281mm



MARK	DESCRIPTION	SING	DATE
△			
△			
△			

NOTE:  
 1. MATERIAL:  
 2. ALL BURRS MUST BE FILLETED TO <0.05mm  
 3. FINISH: COATING (SPEC. SEE SAMPLE)  
 4. TOLERANCE UNLESS OTHERWISE SPEC. SEE TOLERANCE TABLE

TOL	< 30	: ±0.1	UNIT : mm	FINISHING	PART NO.	Ver.	A0								
	30 < 120	: ±0.15					3RD ANGLE'S	MATERIAL	SGCC T=1.2	MOLD NO.	IPMB-17W	q'ty	1		
	120 < 315	: ±0.2		APPROVED			TITLE	IPMB-22W							
	315 <	: ±0.3		CHECKED			DESIGNED	LiuChunhua	2018-10-17	DRAWING NO.	IPMB-22W.DWG	△			
	ANGLE TOL	: ±0.5°		DRAWN						SIZE	A3	SCALE	0.200	SHEET:	DF

SAIS - Sacasa Industries & Systèmes  
 8 rue André Marie Ampère  
 28500 Vernouillet - France  
 09 70 440 600 - (+ 33) 970 440 600  
<https://clavier-ecran-rackable.fr>  
[contact@sacasa.info](mailto:contact@sacasa.info)