

SAIS - Sacasa Industries & Systèmes
8 rue André Marie Ampère
28500 Vernouillet - France
09 70 440 600 - (+ 33) 970 440 600
<https://clavier-ecran-rackable.fr>
contact@sacasa.info



SAIS S9 HD mono et triple écran - 1920 x 1080

SAIS-S9, the new & cost effective “Transportable Computer Building Block” from SAIS. Put it at the heart of your high-performance portable computer solutions. Designed for field and mobile applications!

This portable computer chassis allows you to combine the latest in high-performance motherboards and add-in special function boards with a large display into a system that is compact and extremely rugged. It offers a cost effective solution to performance demanding portable computing applications.

The system's integrated LCD offers a high-resolution flicker-free visual environment that rivals tradition CRT monitors. The SAIS-S9 has the capability to accept a maximum of seven expansion cards (motherboard dependent) along with two 3½" Disk Drives, one 5¼" Drive and one each slim-line 3½" & 5¼" Disk Drives, offering expansion capability unmatched by any other portable system. The all-aluminium SAIS-S9 chassis is the ideal solution for applications such as portable servers, network/communications testing, field data acquisition, remote field service, exploration, factory monitoring/automation, new technology demonstration, and much more.

Card Retention System

SAIS-S9 has a double card retention system that holds individual add-on cards securely at two points, with an adjustable pressure mechanism ensuring that half and full-length cards are secure during transportation.



LCD Screen

Spark-S9 offers LCD sizes in **single 17" or triple 17.3"** wide screen.

Power Supply

Previous models of our trans-portable computers required special custom shape power supplies. With the Spark-S9 any standard desktop power supply will fit this chassis so you can **meet** the varying power requirements of different motherboards now and in the future.

Features

- 7 slots ATX form factor
- Rugged industrial build quality
- Light weight aluminum chassis
- Supports INTEL and AMD SOCKET type CPU

- Integrated card retention stabilizers
- Low profile membrane keyboard
- Built-in glide point mouse pad
- Built-in amplified speakers

General Specification

ATX form factor

Light weight aluminum chassis

Add-on card stabilizer

Air circulation fan with filter

LCD brightness control

POWER/IDE LED indicator

Built-in amplified stereo speakers

Fits standard desktop power supply

Low profile membrane keyboard

Mouse touch pad with dual buttons

Soft wheeled carrying case

Structure

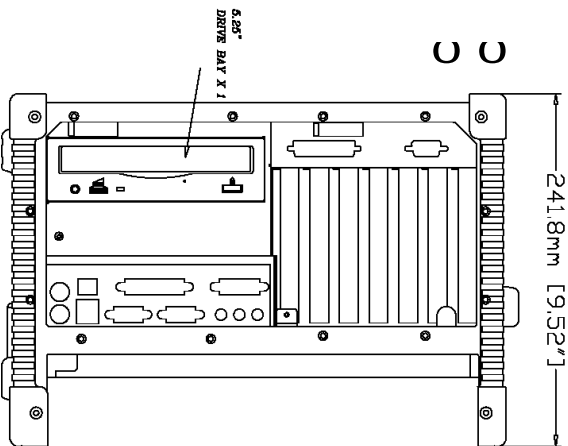
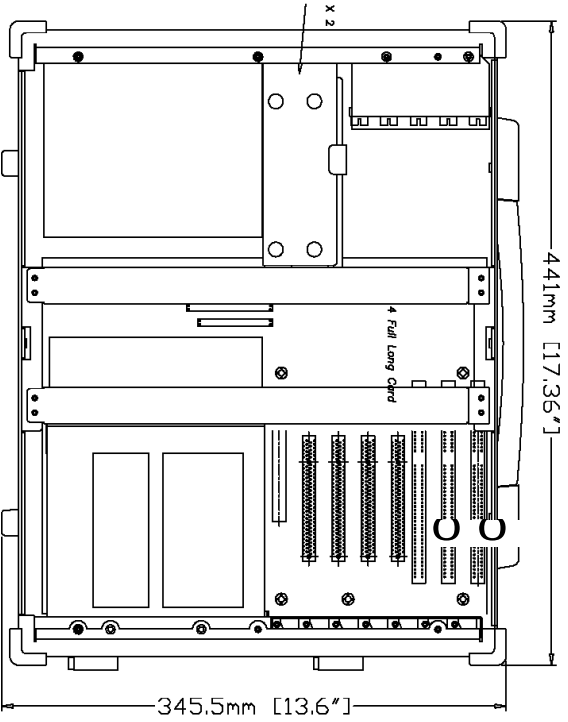
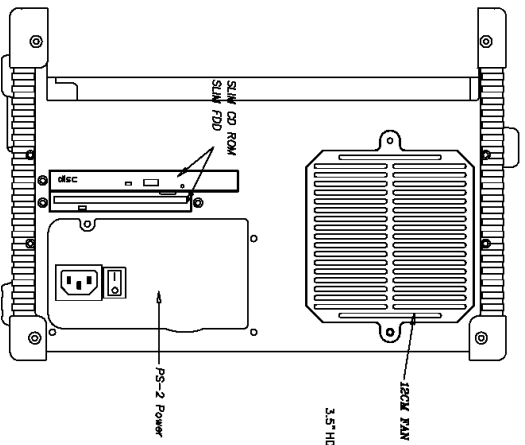
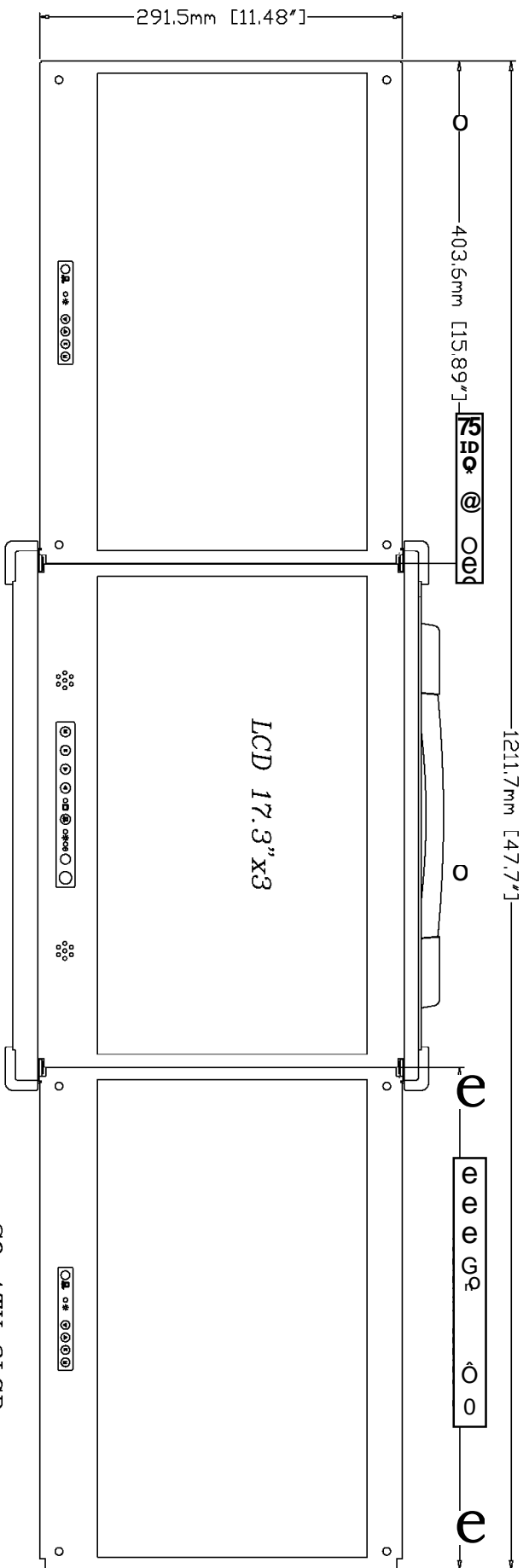
Total Slots	7
Full-Length	4
5.25" Bay	1
3.5" Bay	2
Slim CD Bay	1
2.5" HDD Bay	1
Dimensions (Single)	17.5" W x 13.5" H x 9.5" D
Weight (Single)	25 LBS
Dimensions (Triple)	17.5" W x 13.5" H x 10.25" D
Weight (Triple)	33 LBS

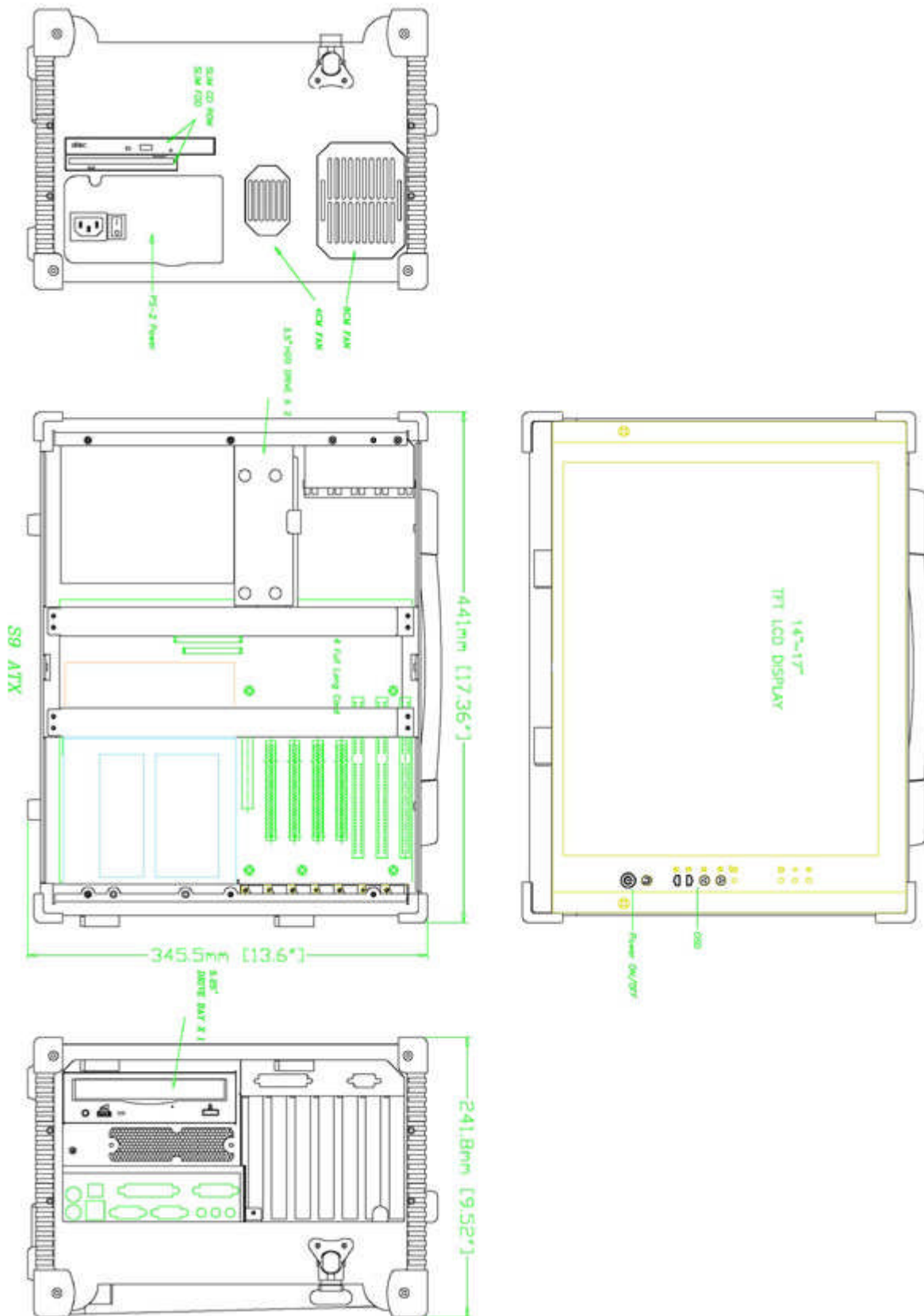
Environment

	Operating	Storage
Temperature	0 to 60°C	-20 to 60°C
Humidity	Meth 5%-95% RH, non-condensing	
Altitude	15,000 ft.	40,000 ft.
Shock	15g, 11ms	50g, 11ms
Vibration	20-60Hz, 0.075mm	10-50Hz, 0.15mm

LCD Specification

Model#	LCD Type	Color	Brightness	Resolution	Output
S9T-17HD	17.3" Wide	16.7M	270 cd/m2	1920x1080	DVI x 3
S9-17HD	17.3" Wide	16.7M	270 cd/m2	1920x1080	DVI x 1





SAIS - Sacasa Industries & Systèmes
 8 rue André Marie Ampère
 28500 Vernouillet - France
 09 70 440 600 - (+ 33) 970 440 600
<https://clavier-ecran-rackable.fr>
contact@sacasa.info