



1RU 21.5", 23.8" LCD Console Drawer with Integrated
KVM Switch - Single Port / 8 Port / 16 Port

User Manual

SAIS - Sacasa Industries & Systèmes
8 rue André Marie Ampère
28500 Vernouillet - France
09 70 440 600 - (+ 33) 970 440 600
<https://clavier-ecran-rackable.fr>
contact@sacasa.info

Contents

1. BRIEF INTRODUCTION.....	3
2. PACKAGE CONTENTS	3
3. FEATURES	3
4. SPECIFICATIONS.....	4
5. INSTALLATION	6
6. OPERATION	9
7. CERTIFICATIONS.....	16

BRIEF INTRODUCTION

The single port, 8 port and 16 port LCD Console Drawers can control attached servers, computers or a KVM switch from a local console.

This model is loaded with features such as USB local console, on-Screen-Display (OSD) menu, password security, Hotkey control, push button port selection and auto scan control. It has complete keyboard and mouse emulation for simultaneous and flawless PC boot-up process.

PACKAGE CONTENTS

1 x LCD Console Drawer with Rack Mounting Sliding Rails

1 x AC Power Cable

1 x Set of VGA, USB and PS/2 cables (Single Port LCD Console Drawer models only)

1 x CD-ROM with User Manuals, Quick Installation Guides and Utilities

FEATURES

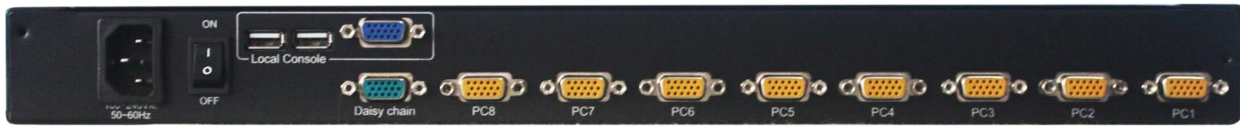
- Supports combo (PS/2 & USB) interface for connecting to computer ports or KVM switch
- Additional one USB Local console to add local KB/Mouse & VGA
- Supports MS Windows, Netware, Unix and Linux
- Supports Mac, Power Mac and Sun Micro Systems with USB connection
- No Software Required - easy computer selection via On-Screen-Display (OSD) menu, push buttons or keyboard Hotkeys
- Provides various Hotkey combinations (Caps-Lock / Scroll-Lock / Num-Lock / L-Alt / L-Ctrl / L-Win / R-Alt / R-Ctrl / R-Win) for switching between computer ports and other control functions
- Provides ACL (Access Control List) security function and stores up to 8 independent useraccounts
- Hot Plug - add or remove connected computers without powering off the LCD drawer
- Supports two user layers and search computer/server name
- Keyboard status restored when switching between computers
- Supports daisy chain (8-layer) & cascade (2-layer) function

SPECIFICATIONS

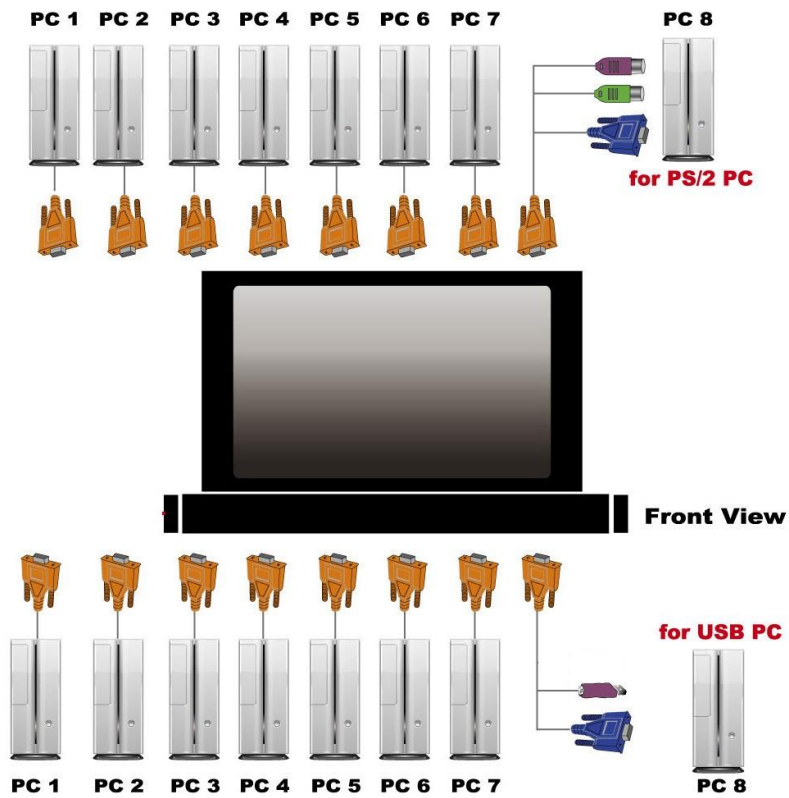
Feature	Specifications
Computer Type	Combo (PS/2 & USB Support)
Computer Port Connector	HD15 Pin (Integrated video, keyboard & mouse)
No. of Computer Ports	1 / 8 / 16
Maximum Distance (LCD Drawer to Comp)	5 meters
LCD Resolution	1920 x 1080
USB Local console	USB x2 for KB/ Mouse, VGA x1
Daisy Chaining	Supports Daisy Chain (Bus layer to 8 levels) & (Tree layer to 2 levels)
Computer port selection	On Screen Display (OSD) Menu, Hot Key, Push Button
Hotkey	Provides various Hotkey Combinations (Cap-Lock / Scroll-Lock / Num-Lock / L-Alt / L-Ctrl / L-Win / R-Alt / R-Ctrl / R-Win)
LEDs	Power On & Port Selection
Security	Provides ACL (Access Control List) security function and stores up to 8 independent controllable computers list
Multilingual OSD (On Screen Display) control	8 Languages (English, France, German, Spanish, Italian, Russian, Japanese and Simplified Chinese)
Auto-Scan Intervals	5 ~ 99 Sec
Keyboard Emulation	PS/2 or USB
Mouse Emulation	PS/2 or USB
Max. Comp. Connections	1024
Housing	Metal
Operation Temperature	0 ~ 50°C
Storage Temperature	-20 ~ 60°C
Humidity	0~95%, Non-Condensing
Mechanical	1RU 19" Rack Mount
Power	AC 100-240V AC 50/60Hz
Dimension (mm)	448 (W) x 775 (D) x 42 (H)



LCD Drawer Front VIEW

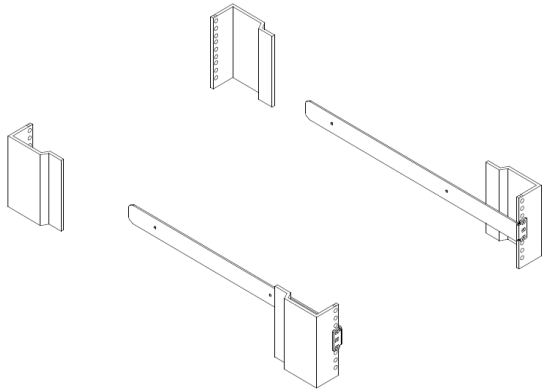


LCD Drawer Rear VIEW



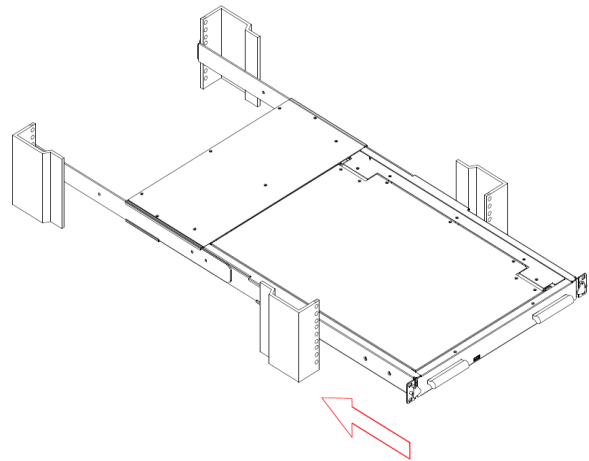
16 ports LCD Drawer Connection Diagram

INSTALLATION



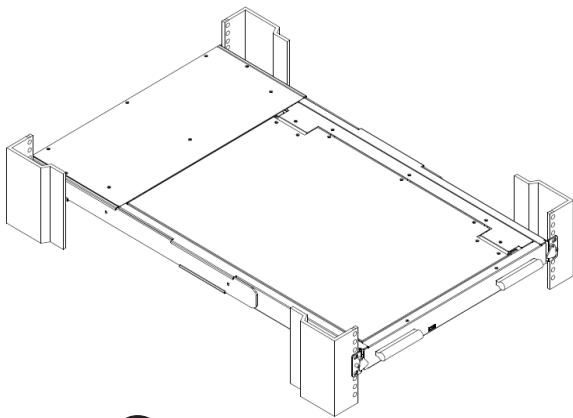
Step 1 Back View

- Rear mounting bracket, screw M6 *4pcs



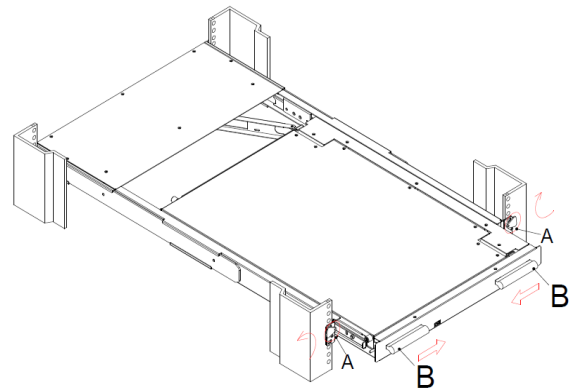
Step 2 Front View

- Insert the left and right rear mounting brackets into the display drawer

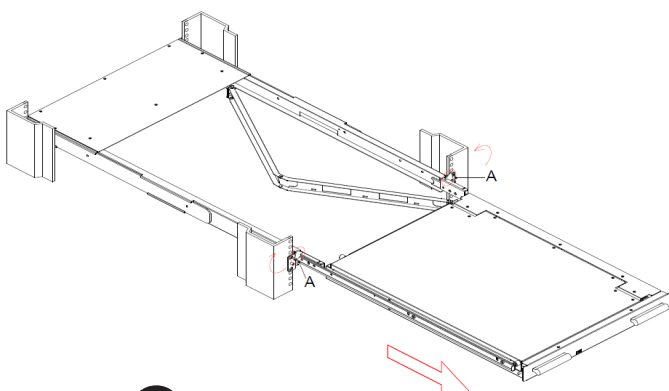


Step 3

- Front mounting bracket, screw M6 * 4pcs

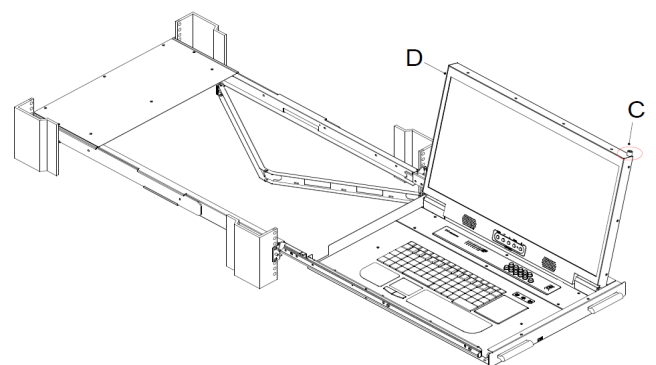


Step 4



Step 5

- Fully pull out KVM
- Posit Latch A as in the picture to lock the rail



Step 6

- Hold on C & D to lift up the LCD

Single Port LCD Console Drawer

To connect to a KVM switch with PS/2 inputs or a single computer with PS/2 inputs, use the supplied 3-in-1 VGA & PS/2 combo cable.

To connect to a KVM switch with USB inputs or a single computer via its USB port, use the supplied USB type A to USB type A cable. Connect the VGA port using the supplied 3-in-1 VGA & PS/2 combo cable. Do not connect the PS/2 connectors.

LCD Console Drawer 8 or 16 Ports KVM

On the back of the 8 ports KVM Switch, each of the computer ports has an HD15 pin female connector. This single HD15 pin connector integrates all VGA, USB & PS/2 signals. The USB cable has a 2-in-1 connector at one end and the PS/2 cable has a 3-in-1 connector at one end. Both the USB cable and the PS/2 cable have a single HD15 pin male connector at the other end. Plug the single connector end of the cable into the KVM and the other end of the cable into the computer's 15 pin VGA port.



2-in-1 VGA & USB Combo Cable

- (a) PS/2 computer - Plug in the PS/2 mouse connector to the computer mouse port and the PS/2 keyboard connector to the computer keyboard port.

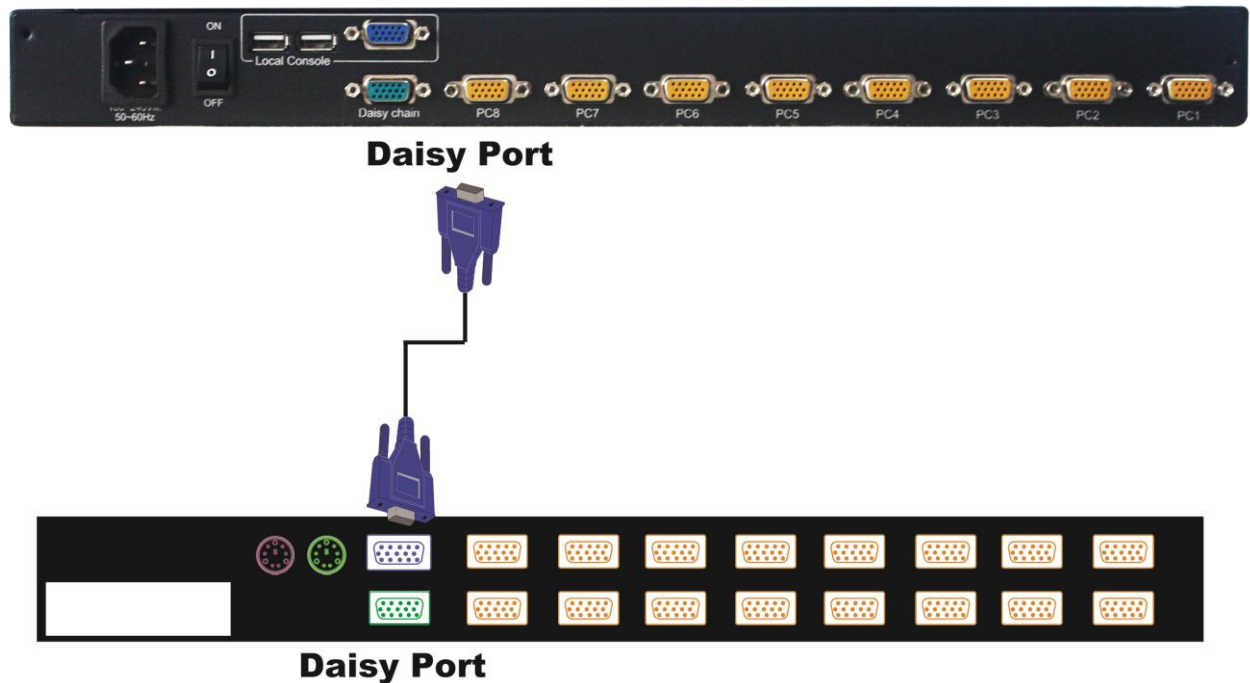


3-in-1 VGA & PS/2 Combo Cable

- (b) USB computer - Plug in the USB connector to the computer's USB port. This single USB connector can handle both keyboard and mouse data.

Daisy Chain Connection

You will need to purchase the optional daisy chain cable. Use one end of the daisy chain cable to connect to the **Daisy Chain port** of the Master KVM switch and connect the other end of daisy chain cable to the **Local Console port** of the next Slave KVM switch. Please repeat the connection procedures for next Slave KVM switch. You can daisy chain up to a maximum of eight (8) banks.

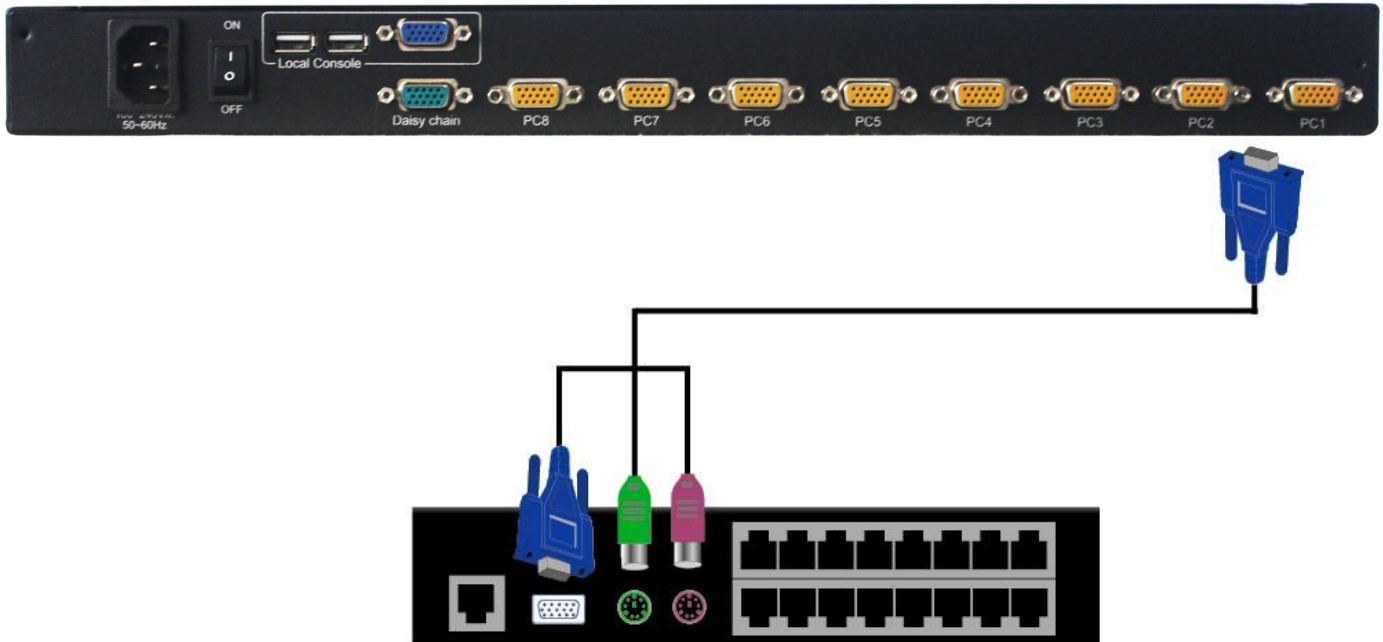


Daisy Chain Connection

The On-Screen-Display (OSD) menu will display the port information of the master KVM switch. When the master unit starts up, it will query all daisy chained Slave units and automatically set up the Bank ID for each

Slave unit. Hot Plug function is supported through daisy chain connection. The Master unit will auto-query the daisy chained Slaves every 30 seconds.

You can also daisy chain through any computer port on the KVM switch. This daisy chain method will work with any brand of KVM switch. Please note, you need to change the Hotkey of the slave KVM switches so that the master and slave KVM switches do not use the same Hotkey.



Daisy Chain through any Computer Port

OPERATION

Push Button Port Selection

The most convenient way to switch between computers is via the push buttons on the LCD console drawer. To select a computer, simply push the corresponding button.

Ports with a powered on computer connected have a Red LED. The currently selected port has a Green LED.

Hotkey

You can conveniently control the LCD console drawer through simple keyboard Hotkey sequences. To send keyboard Hotkey commands to the LCD drawer, you must **press the Hotkey** (default Hotkey is **Caps Lock + Caps Lock**) **within 2 seconds**. You will hear a beep sound confirming you are entering the Hotkey mode. If you do not press any key during Hotkey mode within 2 seconds, the Hotkey mode will be disabled and return the keyboard back to its normal state.

The default Hotkey is **Caps Lock + Caps Lock** but you can change the Hotkey to an alternate Hotkey if Caps Lock clashes with any existing applications. To change the Hotkey, please go to the OSD menu.

The default Hotkey is **Caps Lock + Caps Lock**, then the keys on the following table list.

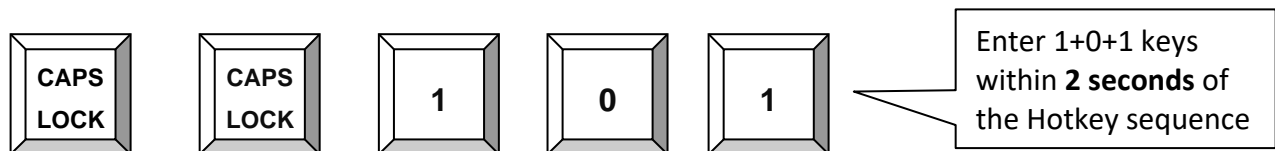
Command	Function
Space bar	Brings up the On-Screen-Display (OSD) window
↑	Switches to the previous port
↓	Switches to the next port
[1, 2...8] bank, [01, 02...16] port	<ul style="list-style-type: none"> ■ The first digit is the KVM Switch bank number in the daisy chain line. A standalone KVM switch is on bank 1 ■ The second & third digits are the KVM switch port numbers starting with "01"
PgUp	Switches to the previous bank
PgDn	Switches to the next bank
B	Turns the beep sound on/off
R	For SUPERVISORS, this will set the OSD back to the factory default values (except the User Security settings)
S	For SUPERVISORS, this activates the Auto-Scan function
U	For SUPERVISORS, this turns the Security function on/off. (Default is Off)
P	Log out - only valid when the security function is on

Example 1 – To bring up the OSD window, press **Caps Lock + Caps Lock + Space Bar**

The OSD overlay screen will appear. This overlay menu screen is generated by the LCD drawer and does not affect your computer hardware or software function in any way.



Example 2 – To switch to Bank 1 Port 1, press **Caps Lock + Caps Lock and 1 + 0 + 1**



There are two methods to bring up the OSD overlay window.

1 Activate OSD by using Hotkeys - press Hotkey twice then press Space bar.

2 Activate OSD by using your Mouse -

Press and hold the **left button** of the mouse and hit the **Esc** key to show the **Status** screen.

Press and hold the **right button** of the mouse and hit the **Esc** key to bring up the Main Menu.

On-Screen-Display (OSD)

The OSD menu provides a menu-driven interface to control the LCD KVM switch.

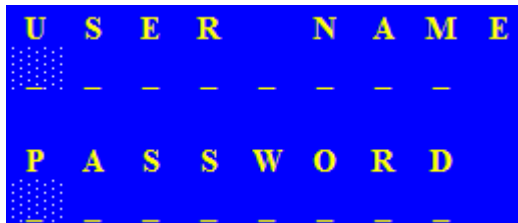
This OSD menu has four different display screens:

1. **Login Window** - If the security function is enabled, when powering on the LCD KVM switch, a login window will be displayed and you will be prompted for the username and password. This OSD function can setup one **SUPERVISOR** and up to eight **USERS**. **SUPERVISOR** can access all OSD functions. **USER** can access only port switching and port search functions.
2. **Status Screen** - The Status screen will be displayed and show the current port settings and Hotkey type.
3. **Port Name** - This menu displays the port status and allows switching between ports.
4. **Main Menu** - There are eight sub-menus to operate.

Login Window

If the security function is enabled (**default is disabled**), when powering on the LCD KVM switch, a login window will be displayed and you will be prompted for the username and password.

The Login Window



The default account is SUPERVISOR

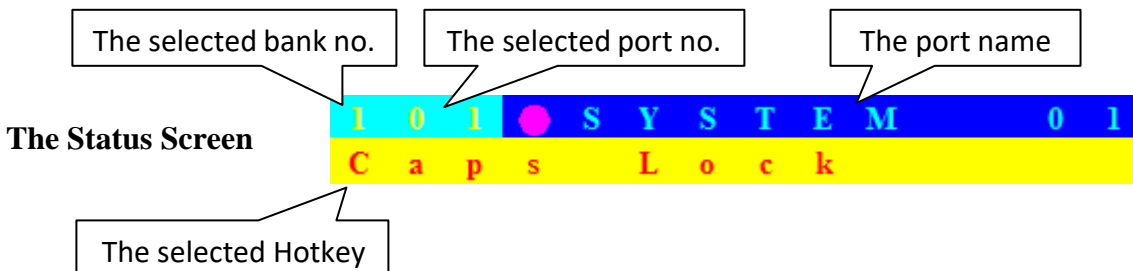
Default username is eight zeros - 00000000

Default password is eight zeros - 00000000

The username and password are NOT case sensitive - the OSD will display in upper case.

Status Screen

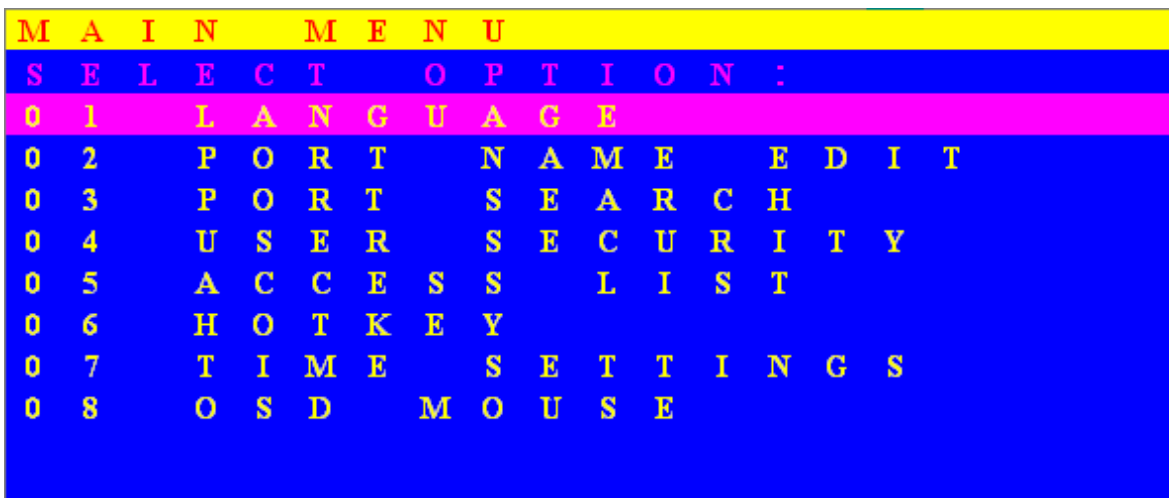
After login or port switch by push button, OSD or Hotkey, the Status screen will show up to display the information of current settings - one digit BANK NUMBER, two digit PORT NUMBER, PORT NAME and current Hotkey setting. Pressing any key or moving the mouse will make the Status screen disappear immediately.



- **USER** - There are two types of user levels: **SUPERVISOR** and **USER**. The default is **SUPERVISOR**. **SUPERVISOR** can setup and change the OSD settings in the Main Menu. **USER** can access only port switching and port search functions.
- **SCAN TIME** - This is the time interval for the auto-scan function. When the auto-scan function is enabled, the KVM switch will auto-scan the computer ports one by one. Please note, any ports without a powered on computer/server will be skipped during the scan.
- While the OSD is activated, the numeric keypad is not supported. Supported keys are the numeric keys across the top of the keyboard, the arrow keys, PgUp, PgDn and the Enter key.

Main Menu

There are eight sub-menus to choose from.



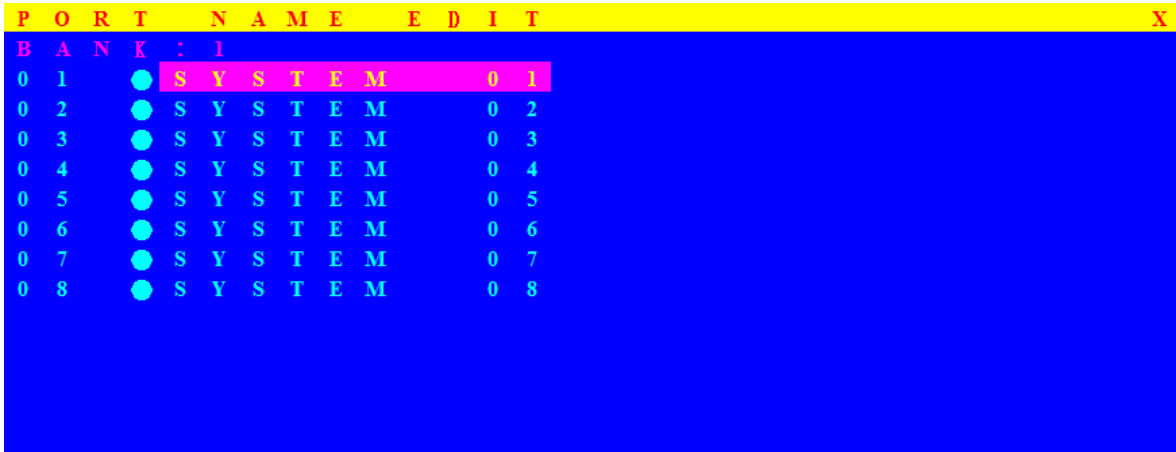
Language

The OSD supports eight languages: English, French, German, Italian, Spanish, Simplified Chinese, Japanese, and Russian.

The default language is **ENGLISH**. Move the cursor by keyboard (Up Arrow key **↑** or the Down Arrow key **↓**) or mouse to select your preferred language.



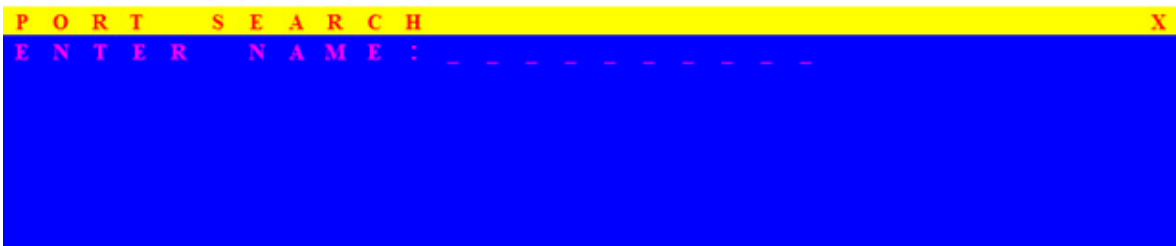
Port Name Edit



The first line of the menu is the Bank number. The following lines are the list of port names.

Use the keyboard (Up Arrow key **↑**, Down Arrow key **↓**) or mouse to select the port. After selecting the port, press the **Enter** Key to edit the port name. Press the **Esc** key to cancel the editing without any changes or press the **Enter** key to save your changes. Press the **PgUp** key or **PgDn** key for selecting the previous or next Bank.

Port Search



Search for a computer by port name. Using the "*" will show the all the port names.

User Security

There are two types of user levels: **SUPERVISOR** and **USER**. **SUPERVISOR** can access all OSD functions. **USER** can access only port switching and port search functions. You can have only one SUPERVISOR and up to eight USERS.



Press the **Enter** key or right mouse button for editing. The "S" in the left column indicates SUPERVISOR, and "1.....8" indicates USERS. The maximum length for both NAME and PASSWORD is eight characters (A~Z and 0~9). NAME and PASSWORD are not case sensitive.

Access List

A C C E S S L I S T													X				
B	A	N	K	:	1	2	3	4	5	6	7	8					
0	1	●	S	Y	S	T	E	M	0	1	O	0	0	0	0	0	0
0	2	●	S	Y	S	T	E	M	0	2	O	0	0	0	0	0	0
0	3	●	S	Y	S	T	E	M	0	3	O	0	0	0	0	0	0
0	4	●	S	Y	S	T	E	M	0	4	O	0	0	0	0	0	0
0	5	●	S	Y	S	T	E	M	0	5	O	0	0	0	0	0	0
0	6	●	S	Y	S	T	E	M	0	6	O	0	0	0	0	0	0
0	7	●	S	Y	S	T	E	M	0	7	O	0	0	0	0	0	0
0	8	●	S	Y	S	T	E	M	0	8	O	0	0	0	0	0	0
0	9	●	S	Y	S	T	E	M	0	9	O	0	0	0	0	0	0
1	0	●	S	Y	S	T	E	M	1	0	O	0	0	0	0	0	0
1	1	●	S	Y	S	T	E	M	1	1	O	0	0	0	0	0	0
1	2	●	S	Y	S	T	E	M	1	2	O	0	0	0	0	0	0
1	3	●	S	Y	S	T	E	M	1	3	O	0	0	0	0	0	0

Only the SUPERVISOR can configure the ACCESS LIST. The first column is the port number, followed by the server/computer name list. The last 8 columns are the access rights of each user. Use the **Enter** key or left mouse button to enable/disable the access rights of each port. "O" means to enable access and "X" means to disable access.

Hotkey

H O T K E Y													X
E N T E R A C H O O S E :													
S c r o l l L o c k													
N u m b e r L o c k													
C a p s L o c k													
L e f t C t r l													
R i g h t C t r l													
L e f t A l t													
R i g h t A l t													
L e f t W i n													
R i g h t W i n													

The default Hotkey is **Caps Lock + Caps Lock** but you can change the Hotkey to an alternate Hotkey if Caps Lock clashes with any existing applications.

Time Settings

T I M E S E T T I N G S													X
S C A N T I M E :													
1 0 S E C													

This is the time interval for the auto-scan function. When the auto-scan function is enabled, the KVM switch will auto-scan the computer ports one by one. Please note, any ports without a powered on computer/server will be skipped during the scan. The interval range is 5 ~ 99 seconds and the default interval is 10 seconds. Press the **Enter** key to save the SCAN TIME setting.

OSD Mouse

You can change the movement speed of the OSD mouse cursor in this menu. There are three speeds to choose from, "FAST", "MIDDLE" and "SLOW".

Use the **↑** and **↓** keys on the keyboard to move the highlight bar to the desired speed. Press the **Enter** key to go into effect.



CERTIFICATIONS

FCC

This equipment has been tested and found to comply with Part 15 of the FCC Rules. Operation is subject to the following two conditions:

- (1) This device may not cause harmful interference
- (2) This device must accept any interference received. Include interference that may cause undesired operation.

CE

This equipment is in compliance with the requirements of the following regulations: EN 55 022: CLASS B.

C-Tick

This equipment is in compliance with ACMA's Electromagnetic Compatibility (EMC) regulatory arrangements under the *Radiocommunications Act 1992*.

RoHS

All contents of this package, including products, packing materials and documentation comply with RoHS.



Trademarks

All companies, brand names and product names referred to in this manual are the trademarks or registered trademarks belonging to their respective owners.

SAIS - Sacasa Industries & Systèmes
8 rue André Marie Ampère
28500 Vernouillet - France
09 70 440 600 - (+ 33) 970 440 600
<https://clavier-ecran-rackable.fr>
contact@sacasa.info