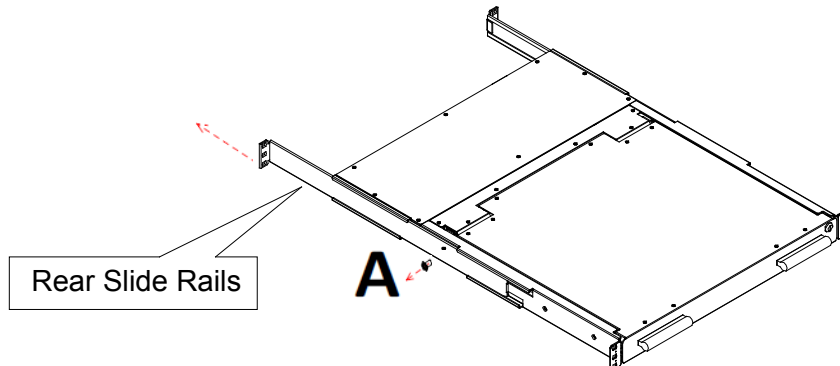


## 2 Installation

### 2.1 Rack Installation

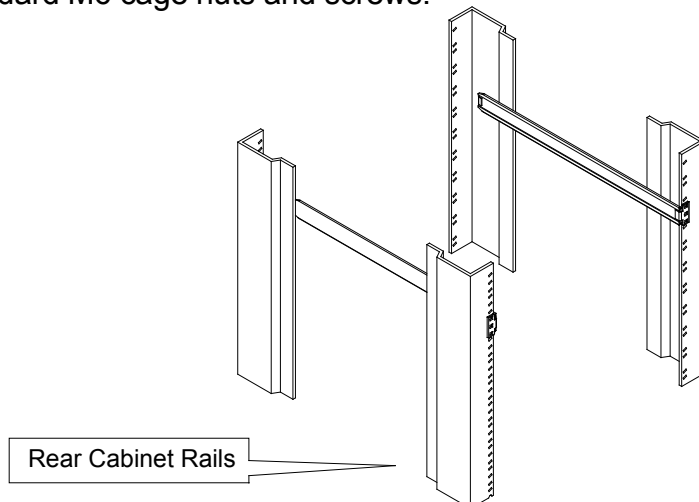
#### Step 1

Loosen screw **A** on both sides to slide out and remove the two rear slide rails.



#### Step 2

Attach the two rear slide rails to the rear vertical mounting rails of the rack cabinet using standard M6 cage nuts and screws.



#### Step 3

Position the LCD console drawer so the two rear slide rails will slide into the main body of the LCD console drawer. Attach the mounting ears of the LCD console drawer to the front vertical mounting rails of the rack cabinet using standard M6 cage nuts and screws.

