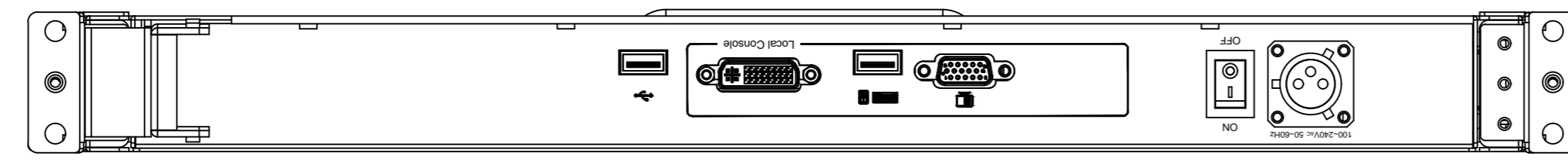


1 2 3 4 5 6 7 8

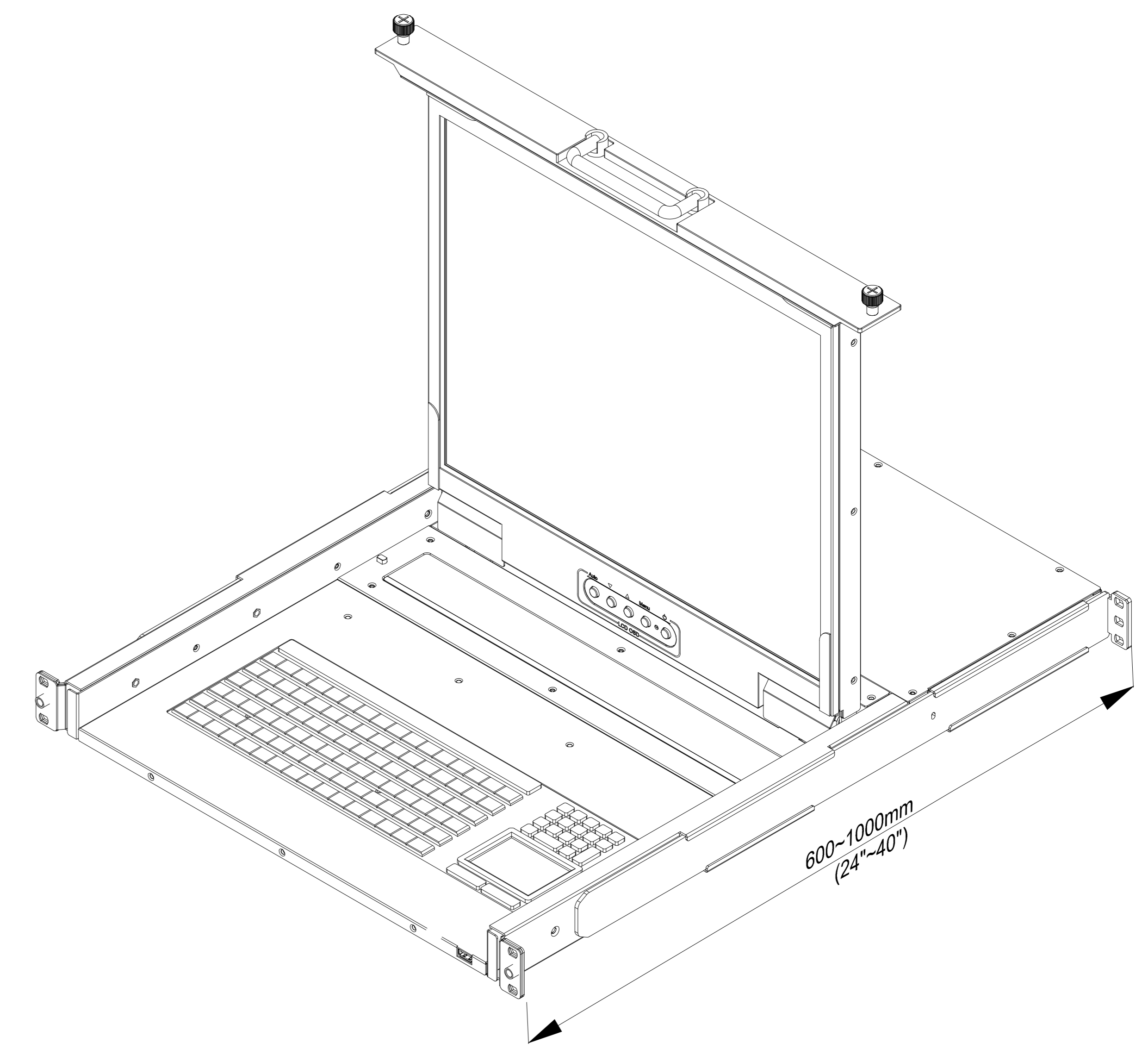
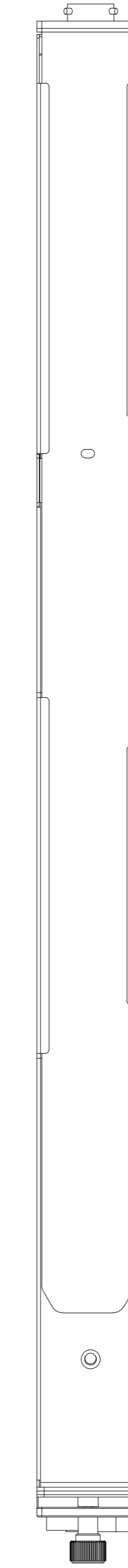
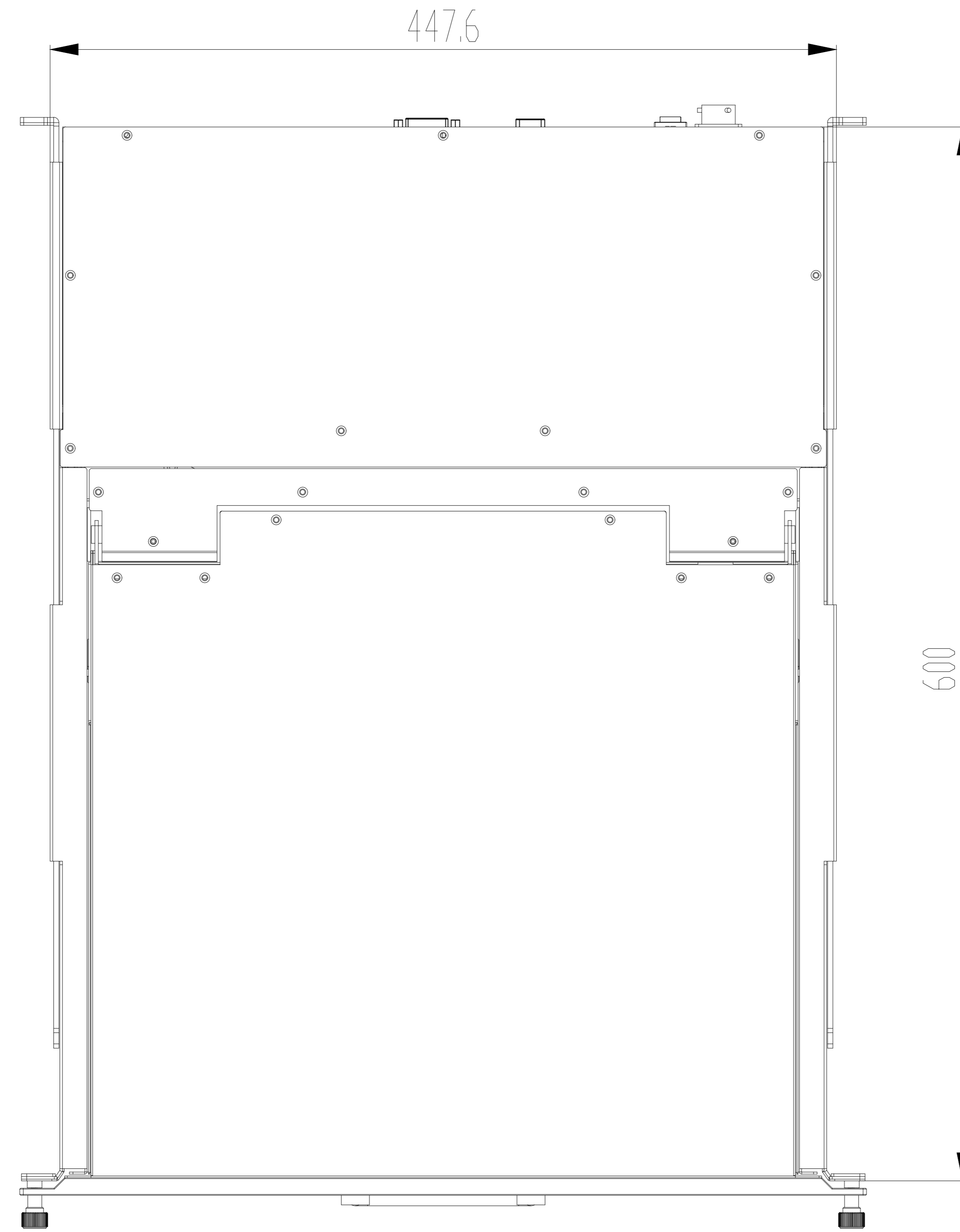
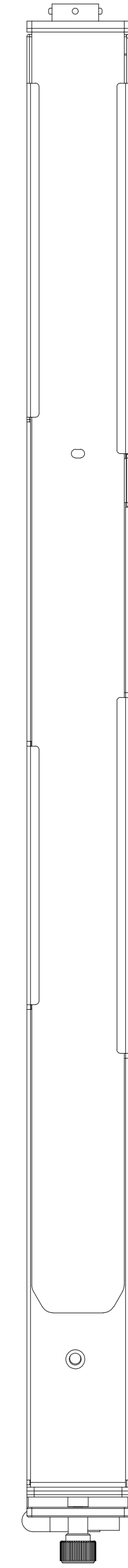
A

A



B

B

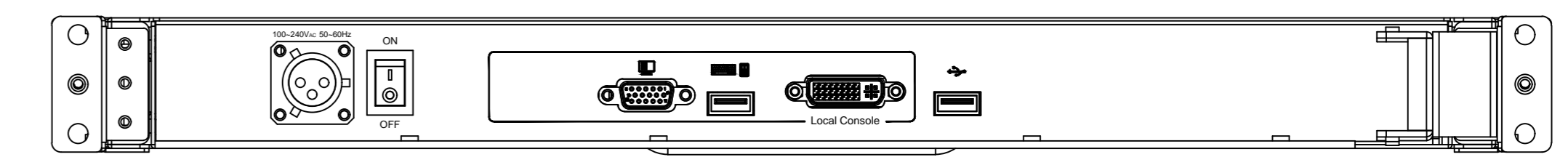
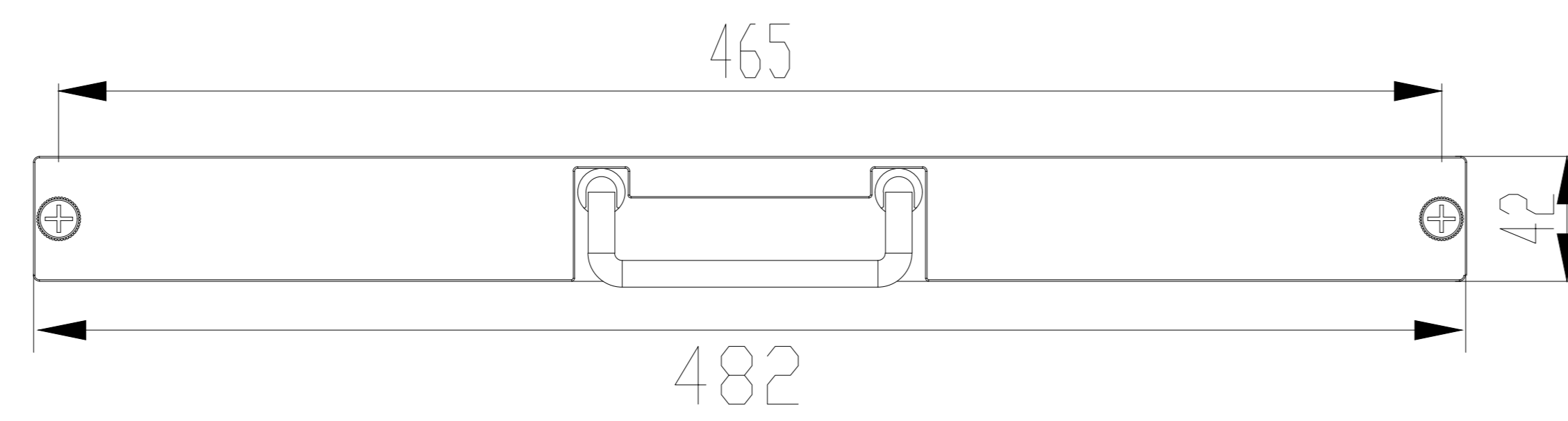


C

C

D

D



E

E

F

F

| | | | |
|------|-------------|------|------|
| △ | | | |
| △ | | | |
| △ | | | |
| MARK | DESCRIPTION | SING | DATE |
| 1 | | | |
| 2 | | | |

毛边朝 1、绿色面 2、白色面

| | | | | | | | | |
|-----|-------------------|---|-----------|-----|----------|------|----|----------|
| TOL | < 30 : ±0.1 | UNIT : mm | FINISHING | 砂纹黑 | PART NO. | Ver. | A0 | |
| | 30 < 120 : ±0.15 | 3RD ANGLE'S | MATERIAL | | MOLD NO. | Q'ty | 1 | |
| | 120 < 315 : ±0.2 | APPROVED | TITLE | | | | | |
| | 315 < : ±0.3 | | | | | | | |
| | ANGLE TOL : ±0.5° | SAIS - Sacasa Industries & Systèmes 8 rue André Marie Ampère 28500 Vernouillet - France 09 70 440 600 - (+ 33) 970 440 600 https://clavier-ecran-rackable.fr contact@sacasa.info | | | | | | |
| | | | | | | | | CHECKED |
| | | | | | | | | DESIGNED |
| | | | | | | | | DRAWN |

| | | | | | |
|-------------|----|----------|----|---------------|--------|
| DRAWING NO. | | SCALE 02 | | SHEET: 1 OF 1 | |
| SIZE | A3 | SCALE | 02 | SHEET: | 1 OF 1 |

1 2 3 4 5 6 7 8