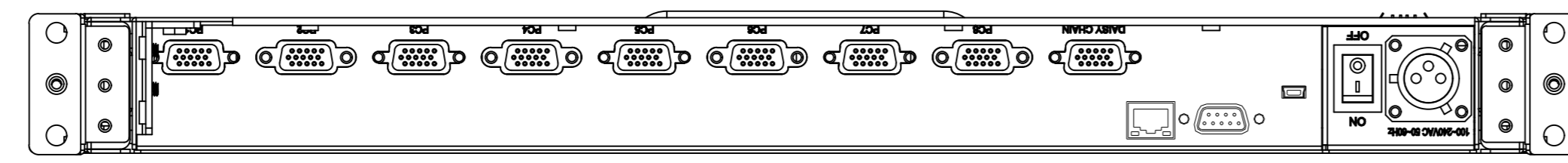
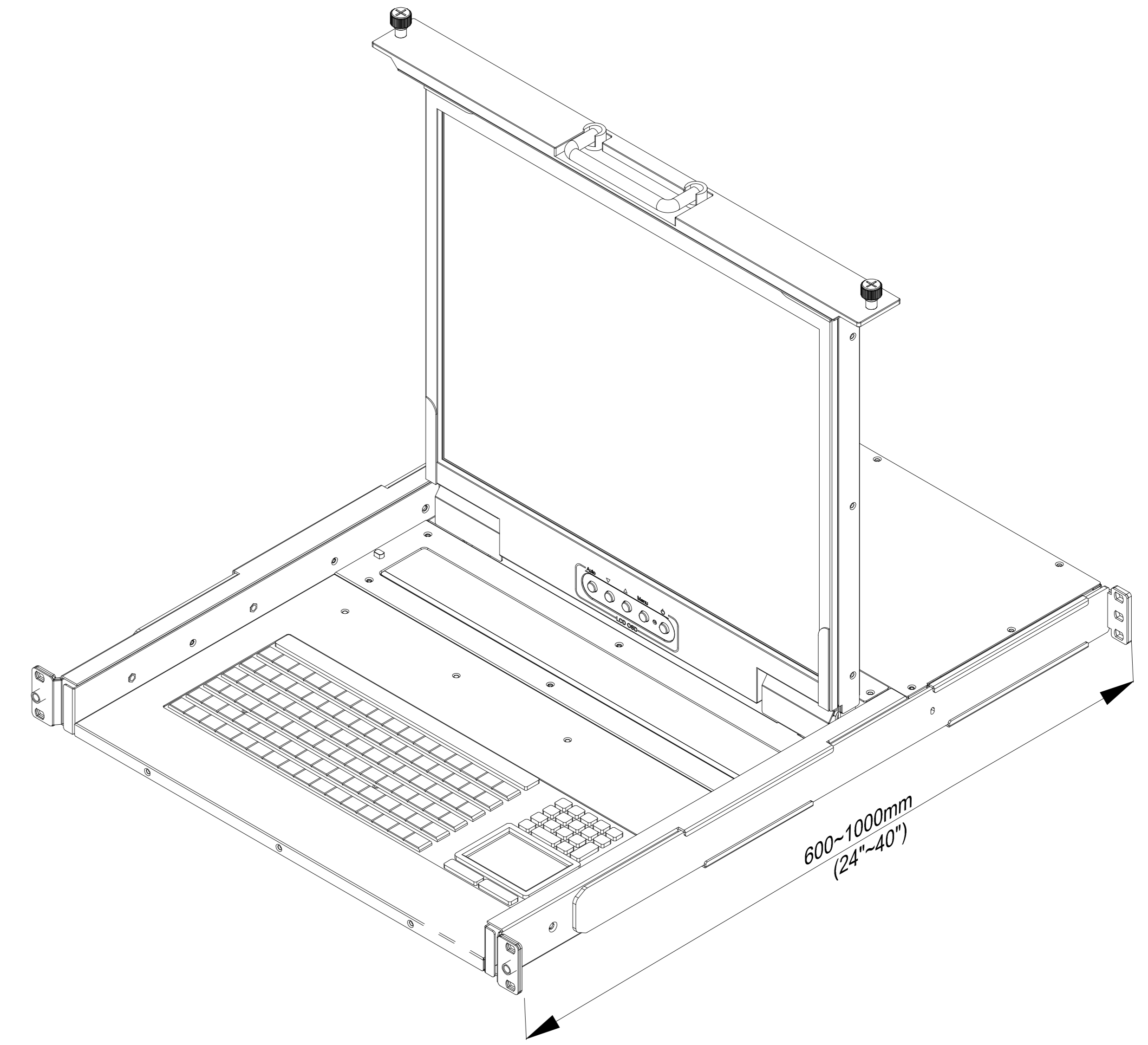
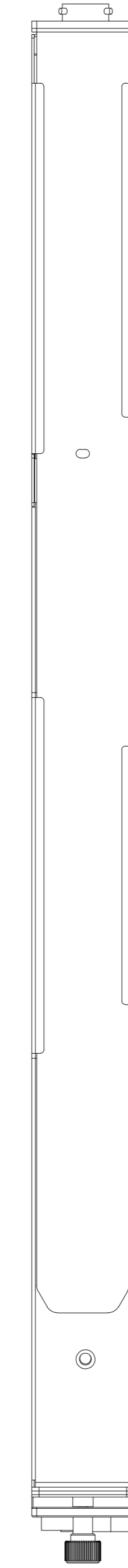
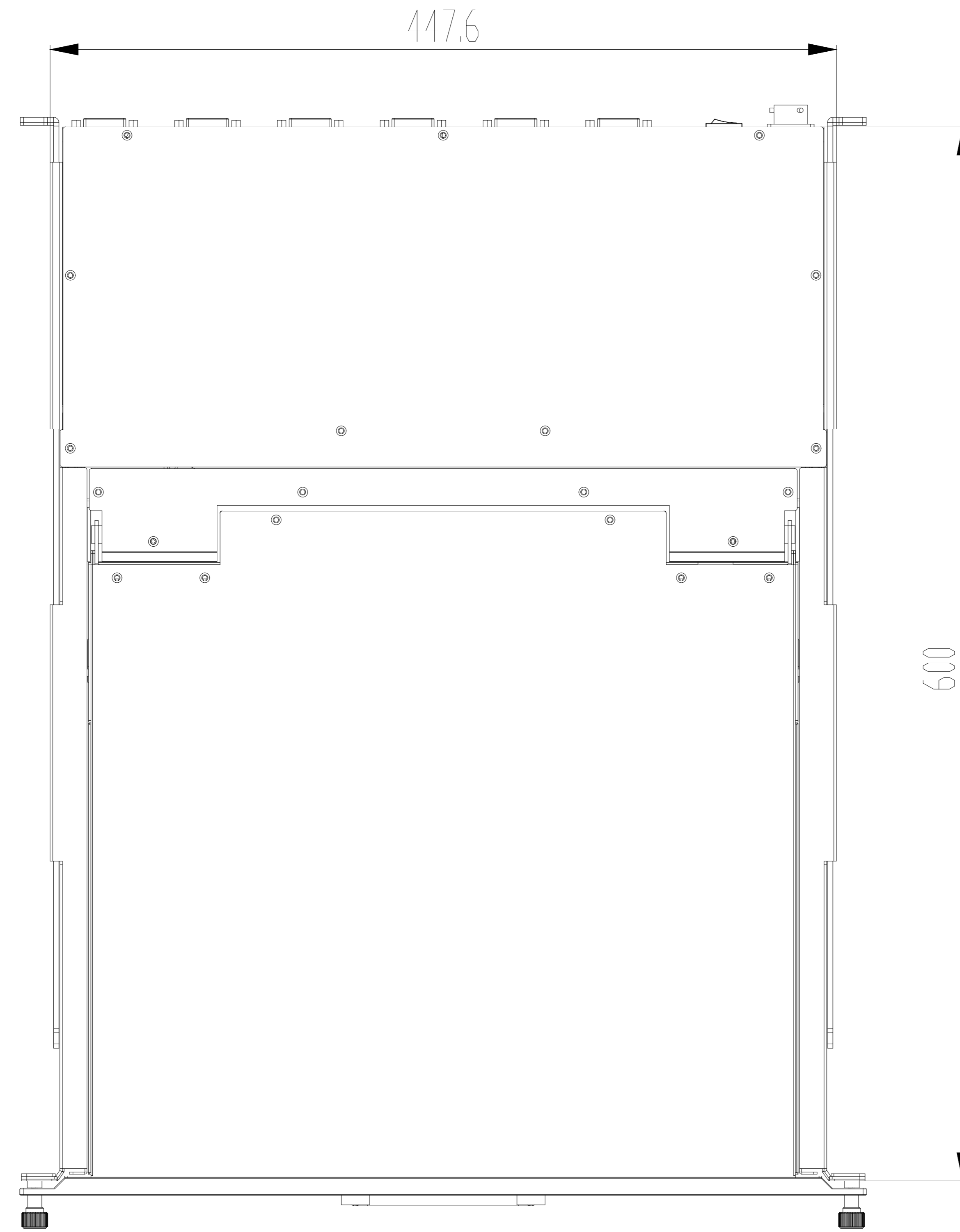
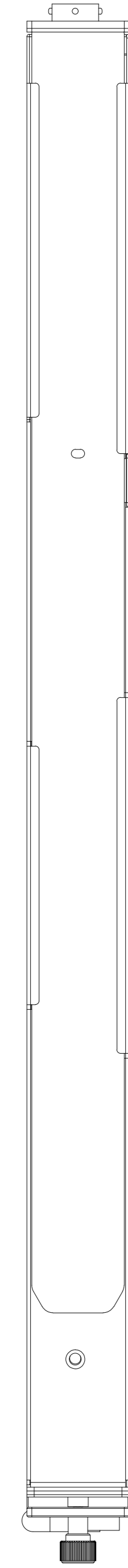


1 2 3 4 5 6 7 8

A

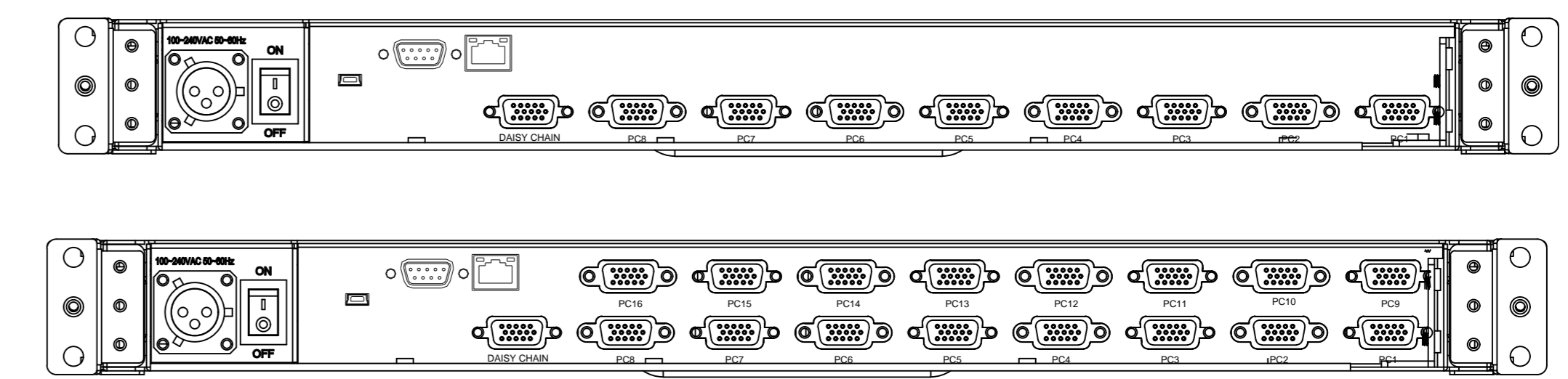
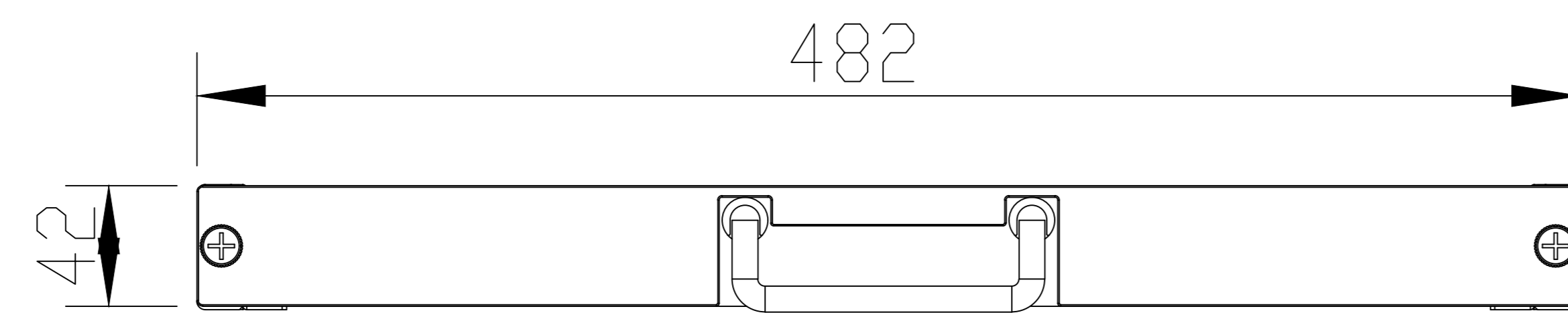


B



C

D



F

△			
△			
△			
MARK	DESCRIPTION	SING	DATE
1		2	

毛边朝 1、绿色面 2、白色面

TOL	< 30	: ±0.1
	30 < 120	: ±0.15
	120 < 315	: ±0.2
	315 <	: ±0.3
	ANGLE TOL	: ±0.5°

UNIT : mm	FINISHING	PART NO.	Ver.	A0		
3RD ANGLE'S	MATERIAL	MOLD NO.	KVM-1908AST-M8	Q'ty	1	
APPROVED		TITLE	KVM-1908AST-M8-303V			
CHECKED		DRAWING NO.		△		
DESIGNED	LCH 2020-8-31	SIZE	A3	SCALE	0.2	SHEET: 1 OF 1
DRAWN						

SAIS - Sacasa Industries & Systèmes  
 8 rue André Marie Ampère  
 28500 Vernouillet - France  
 09 70 440 600 - (+ 33) 970 440 600  
<https://clavier-ecran-rackable.fr>  
[contact@sacasa.info](mailto:contact@sacasa.info)

1 2 3 4 5 6 7 8