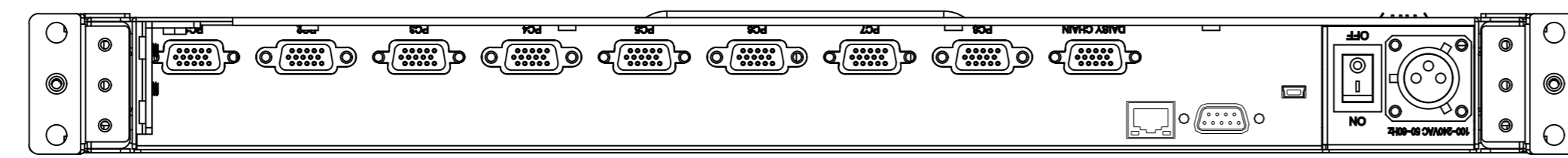
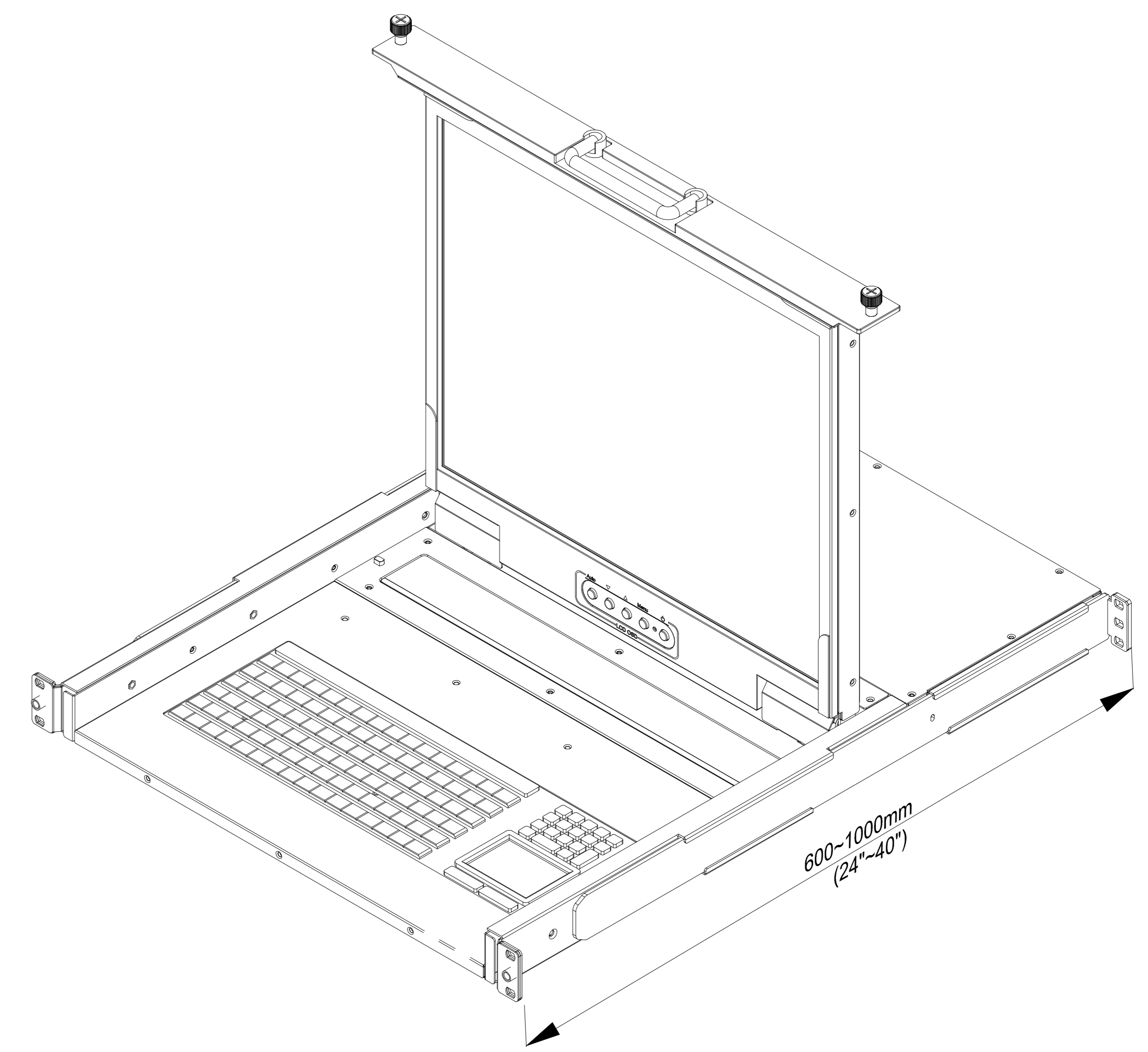
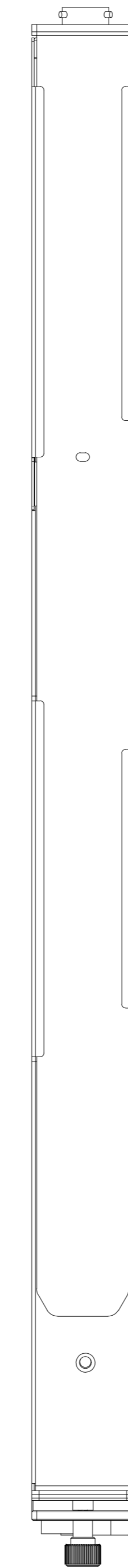
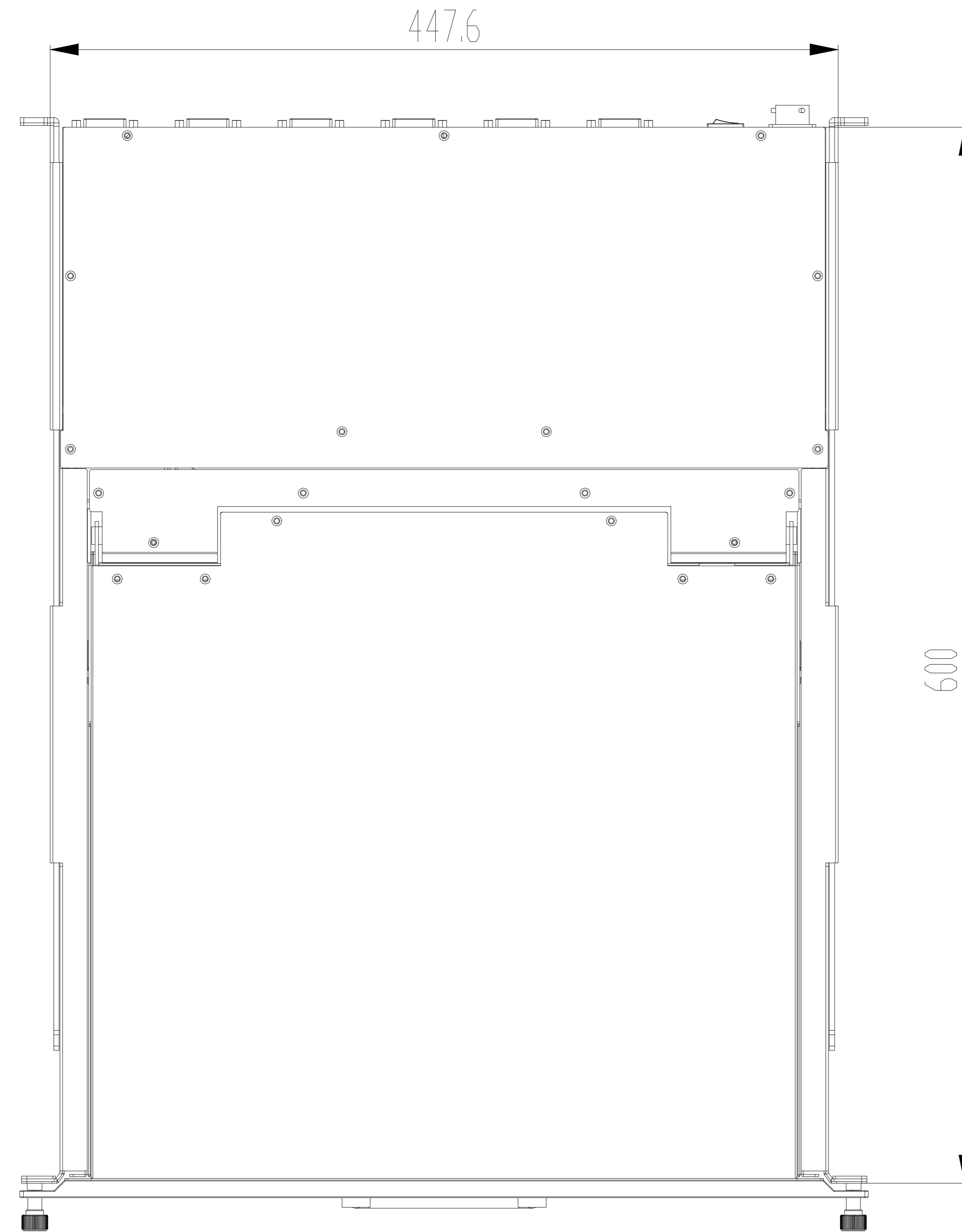
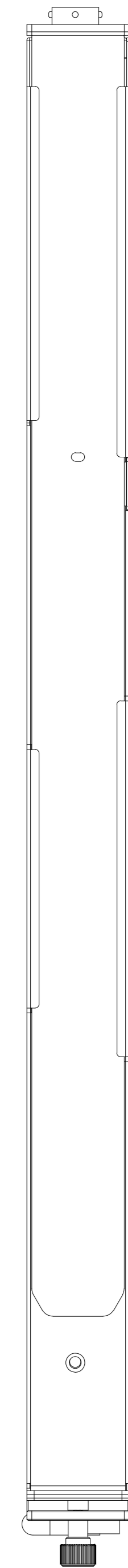


1 2 3 4 5 6 7 8

A

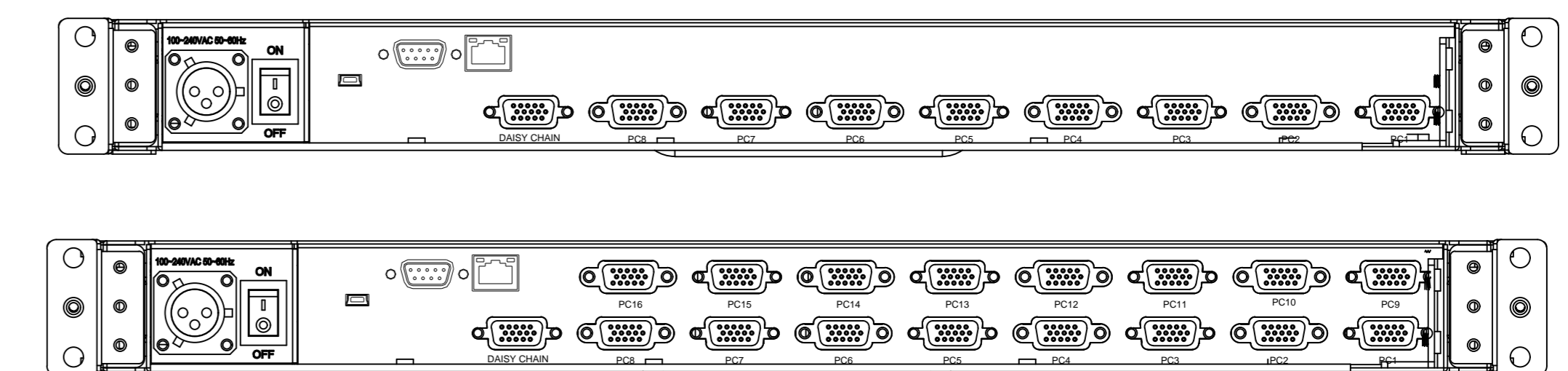
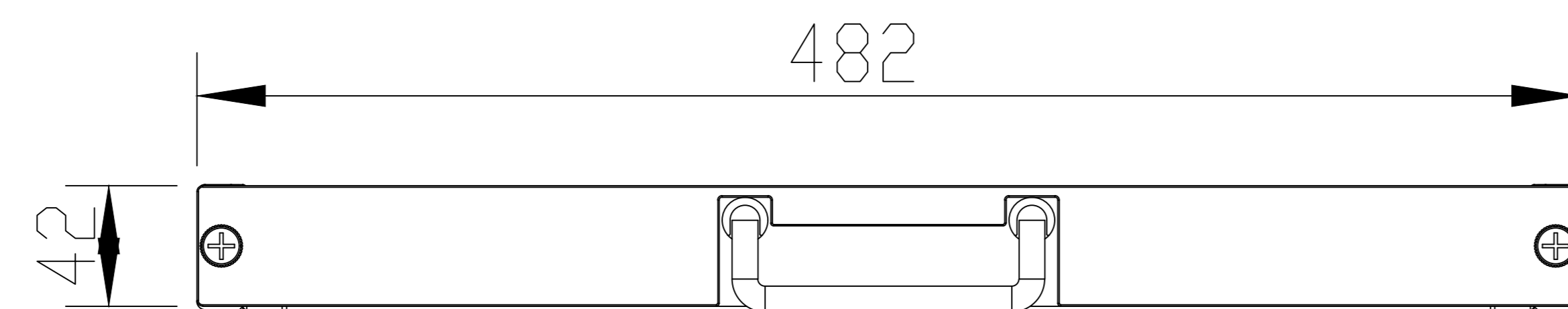


B



C

D



E

F

毛边朝	1、绿色面	2、白色面
TOL	< 30 : ±0.1	
	30 < 120 : ±0.15	
	120 < 315 : ±0.2	
	315 < : ±0.3	
	ANGLE TOL : ±0.5°	

UNIT : mm	FINISHING	PART NO.	Ver.	A0
3RD ANGLE'S	MATERIAL	MOLD NO.	KVM-1908AST-M8	Q'ty 1
APPROVED		TITLE	KVM-1908AST-M8-303V	
CHECKED		DRAWING NO.		
DESIGNED	LCH 2020-8-31	SIZE	A3	SCALE 0.2
DRAWN		SHEET:	1 OF 1	

**SAIS - Sacasa Industries & Systèmes**  
 8 rue André Marie Ampère  
 28500 Vernouillet - France  
 09 70 440 600 - (+ 33) 970 440 600  
<https://clavier-ecran-rackable.fr>  
[contact@sacasa.info](mailto:contact@sacasa.info)

△			
△			
△			
MARK	DESCRIPTION	SING	DATE
1		2	

1 2 3 4 5 6 7 8