

1 2 3 4 5 6 7 8

A

A

B

B

C

C

D

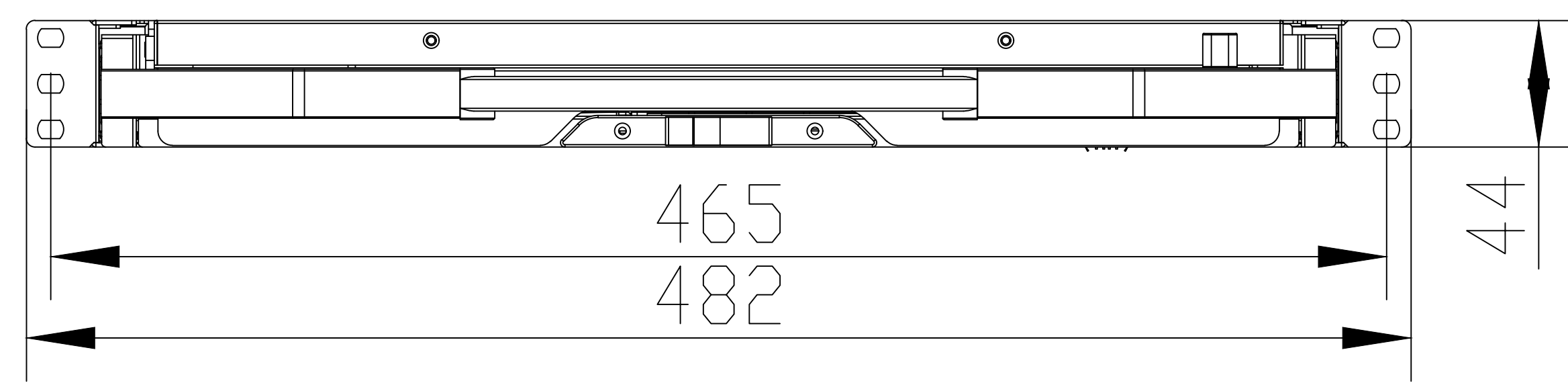
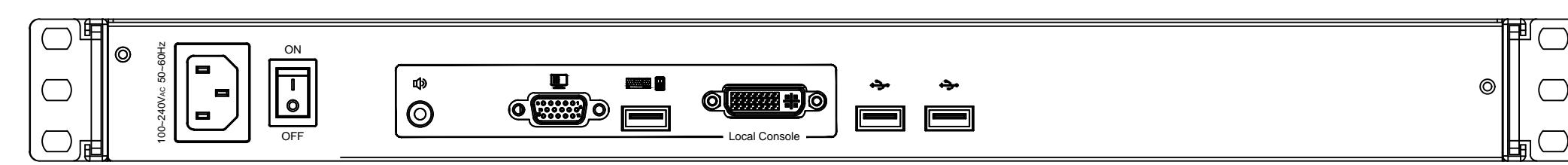
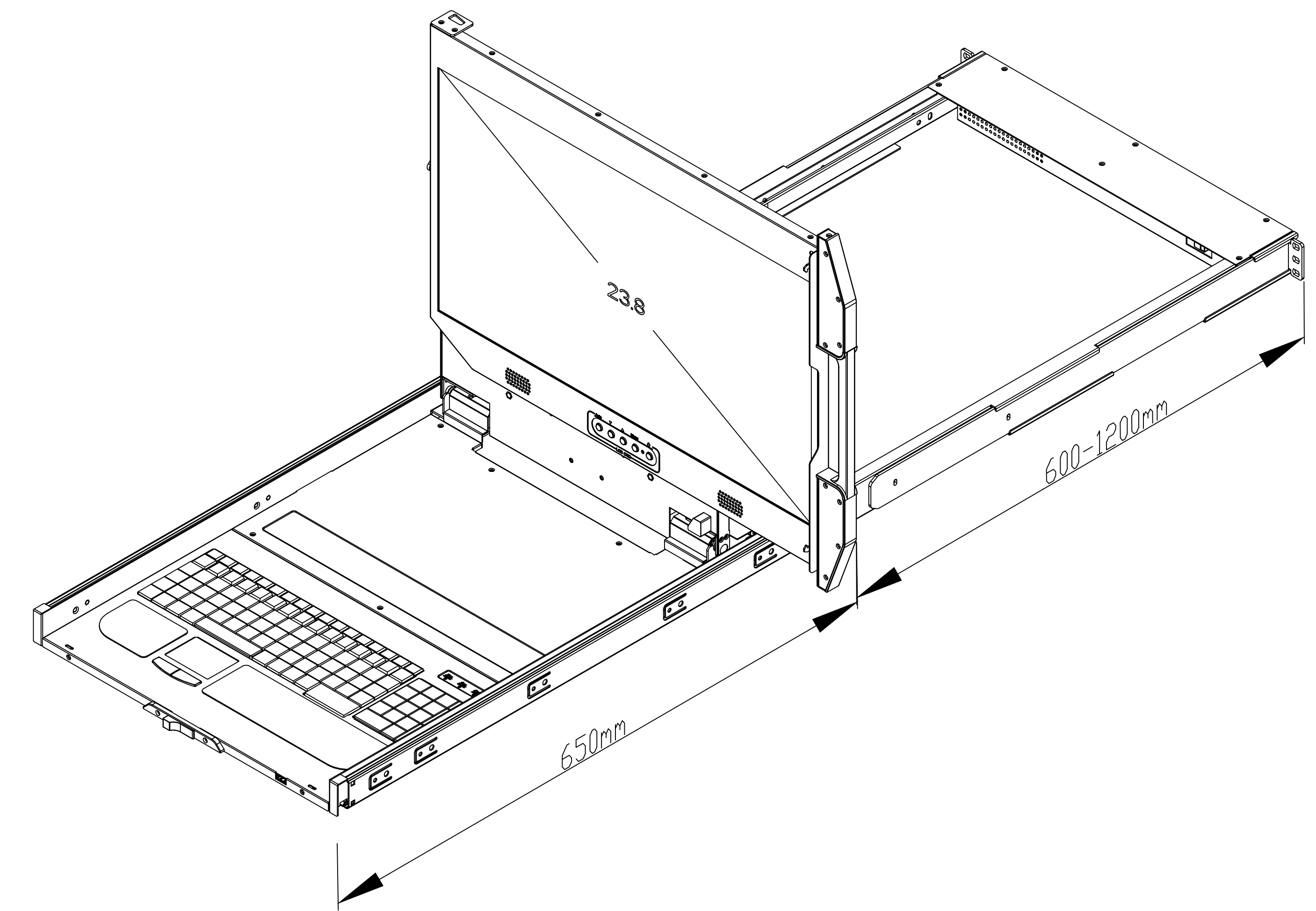
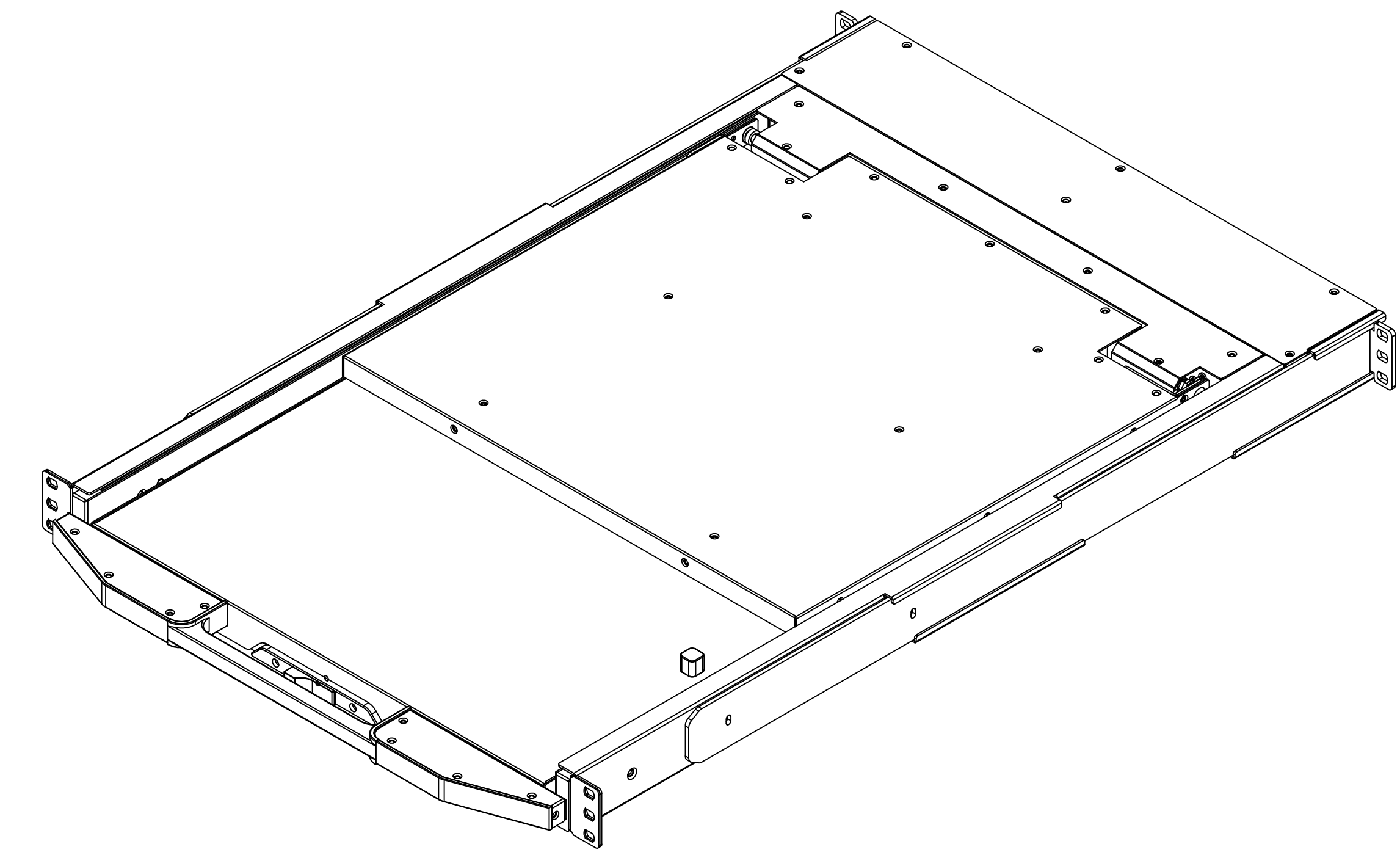
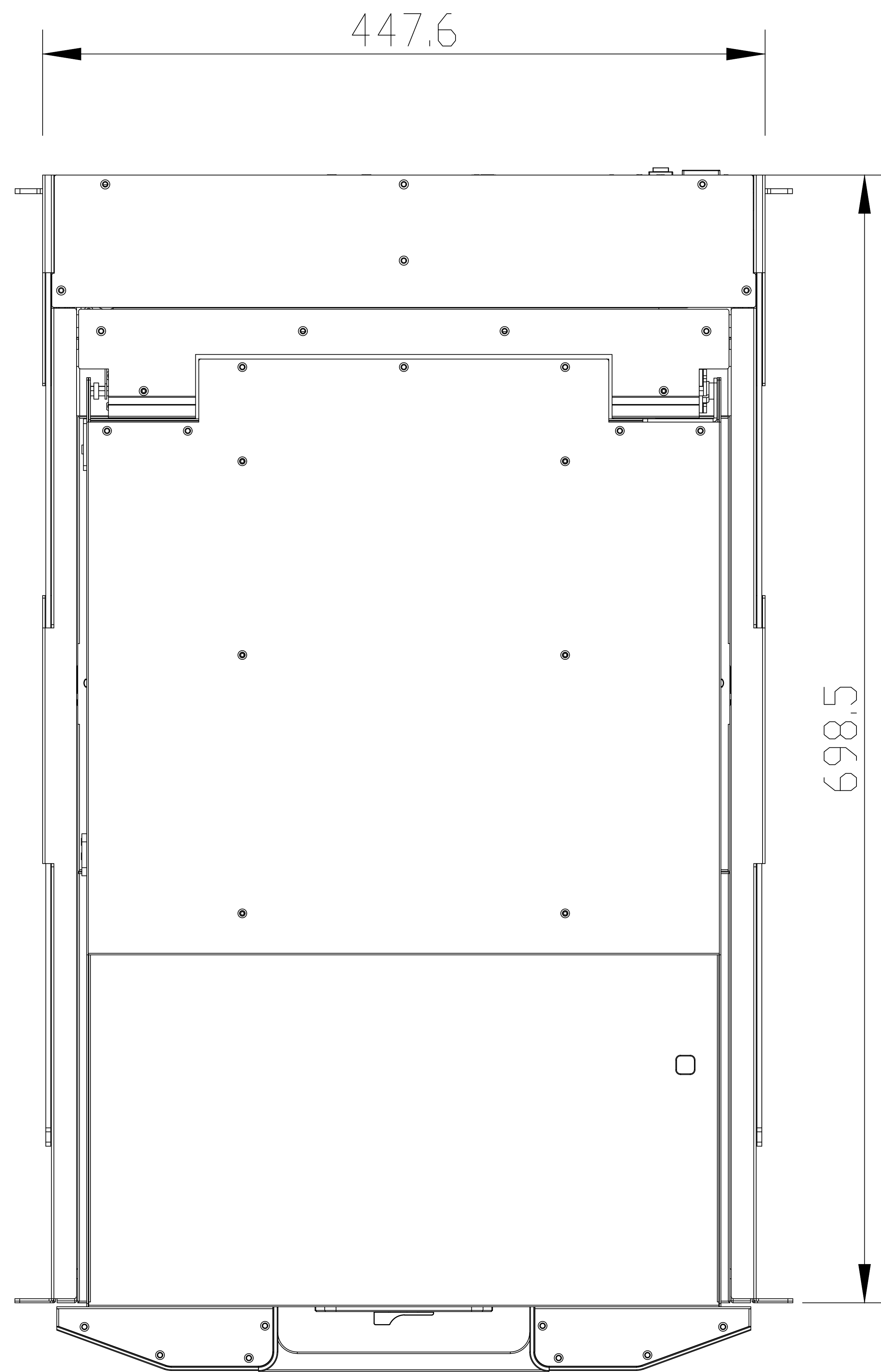
D

E

E

F

F



TOL	< 30	: ±0.1	UNIT : mm	FINISHING	PART NO.	***	Ver.	A0		
	30 < 120	: ±0.15				MOLD NO.	KVM-2401WPD-M5	Q'ty	1	
	120 < 315	: ±0.2	3RD ANGLE'S	MATERIAL	TITLE KVM-2401WPD-M5					
	315 <	: ±0.3	APPROVED	DRAWN	DRAWING NO.	KVM-2401WPD-M5				
	ANGLE TOL	: ±0.5°				DESIGNED	LCH	2020-7-22	SIZE	A3
SAIS - Sacasa Industries & Systèmes 8 rue André Marie Ampère 28500 Vernouillet - France 09 70 440 600 - (+ 33) 970 440 600 https://clavier-ecran-rackable.fr contact@sacasa.info				CHECKED						

△			
△			
△			
MARK	DESCRIPTION	SING	DATE
1		2	

1 2 3 4 5 6 7 8