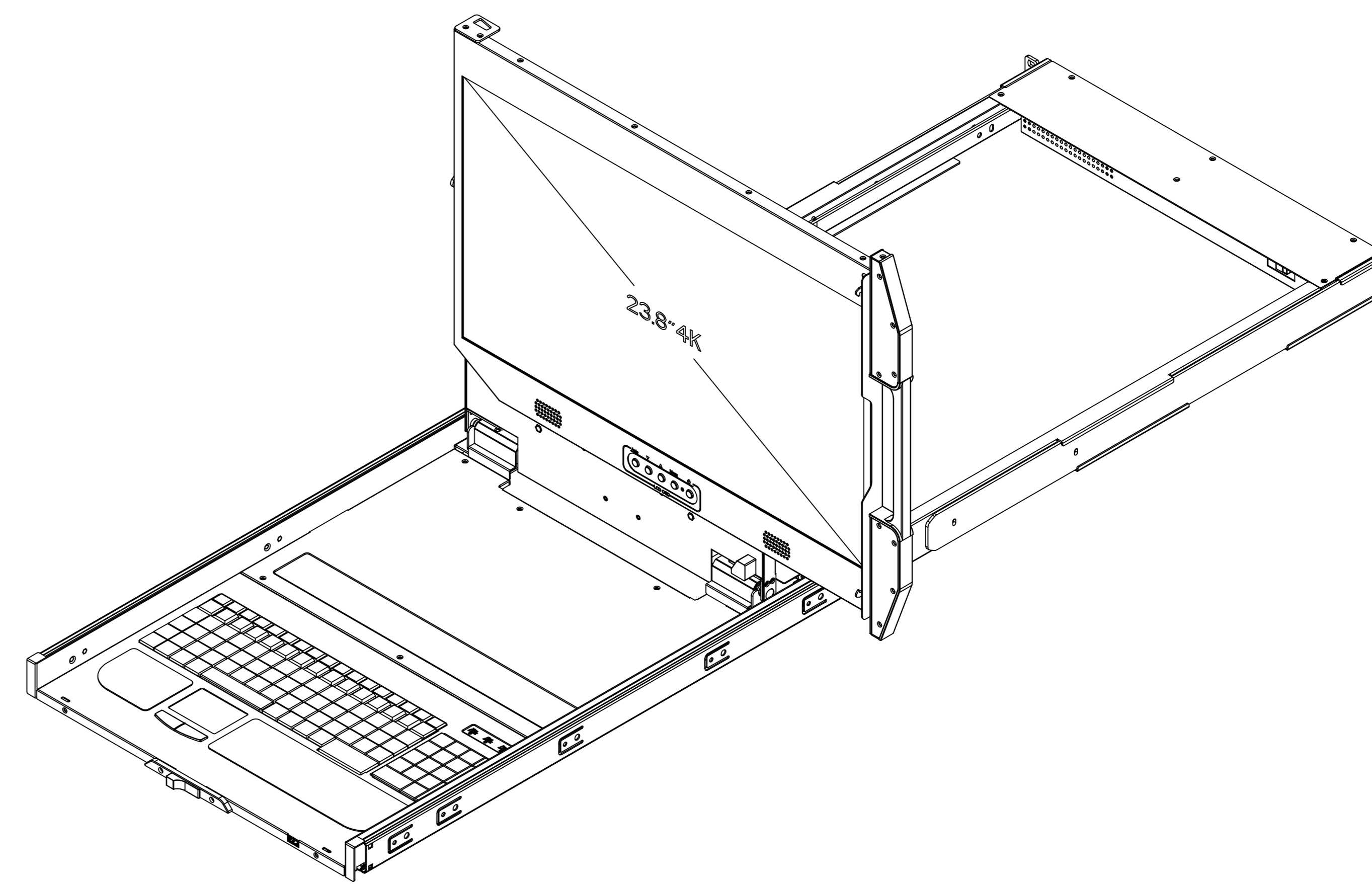
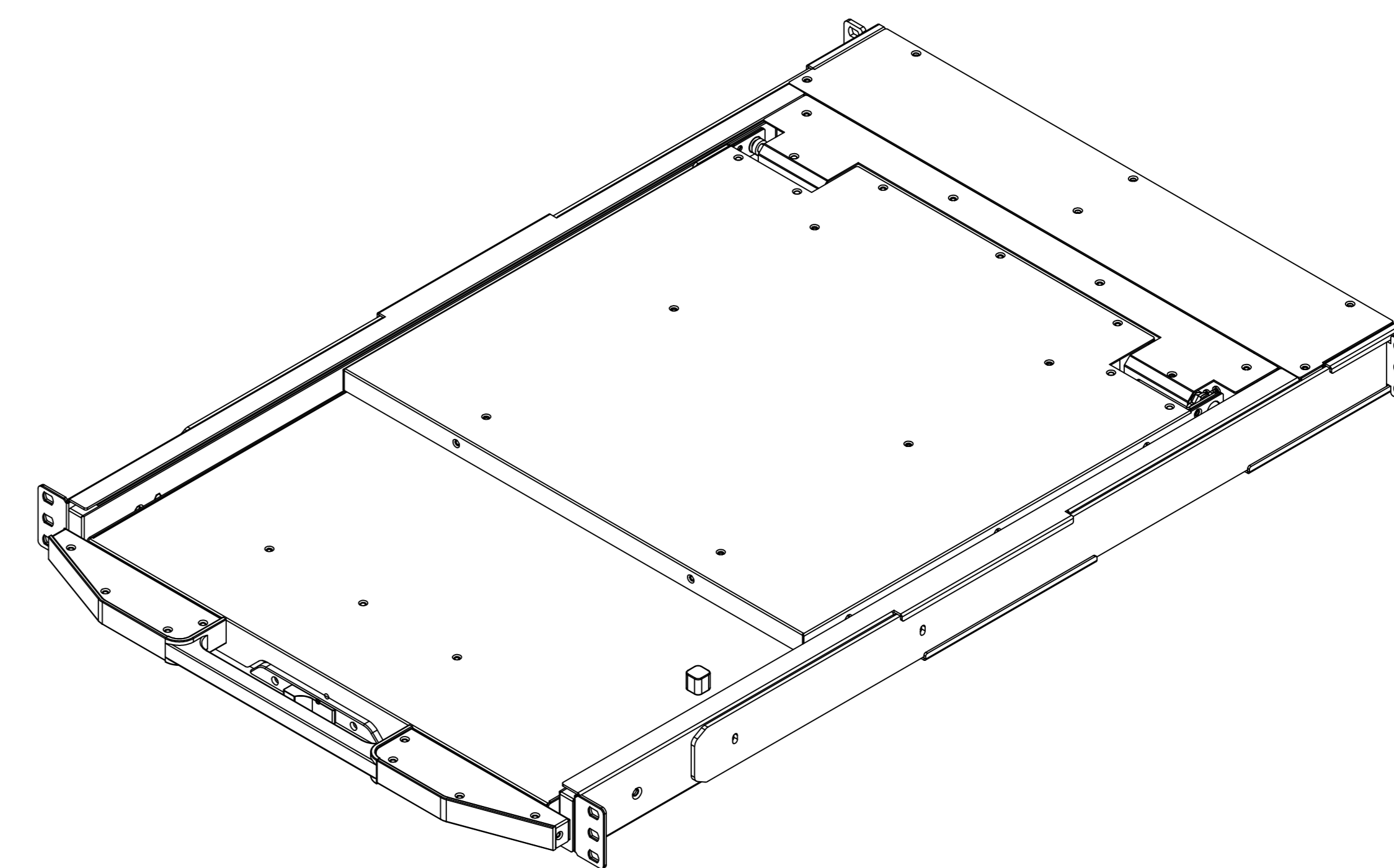


注意：  
 1. 所有工件必须倒毛刺 去接刀痕。  
 2. 所有线性尺寸按GB1804-M级。  
 3. Finish: Coating (Spec. See Sample)



TOL	< 30	: ±0.1	UNIT : mm	FINISHING	PART NO.	***	Ver.	A0
	30 < 120	: ±0.15				MOLD NO.	KVM-2401WPD-M5-4K	Q'ty
	120 < 315	: ±0.2	3RD ANGLE'S	MATERIAL	TITLE			
	315 <	: ±0.3	APPROVED	DRAWN	LCH	2020-7-22	DRAWING NO.	KVM-2401WPD-M5-4K
	ANGLE TOL	: ±0.5°						DRAWING NO.
SAIS - Sacasa Industries & Systèmes 8 rue André Marie Ampère 28500 Vernouillet - France 09 70 440 600 - (+ 33) 970 440 600 <a href="https://clavier-ecran-rackable.fr">https://clavier-ecran-rackable.fr</a> <a href="mailto:contact@sacasa.info">contact@sacasa.info</a>				CHECKED	TITLE			
				DESIGNED	LCH	2020-7-22	DRAWING NO.	KVM-2401WPD-M5-4K
				DRAWN			SIZE	A3
						SCALE	0.2	SHEET: 1 OF 1

△			
△			
△			
MARK	DESCRIPTION	SING	DATE
1		2	