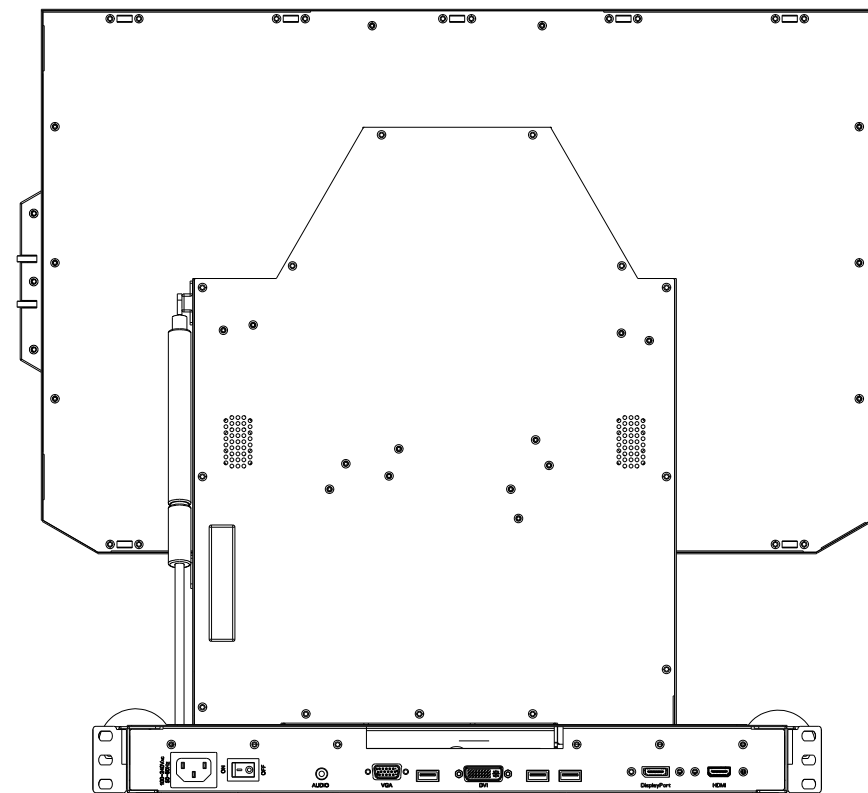
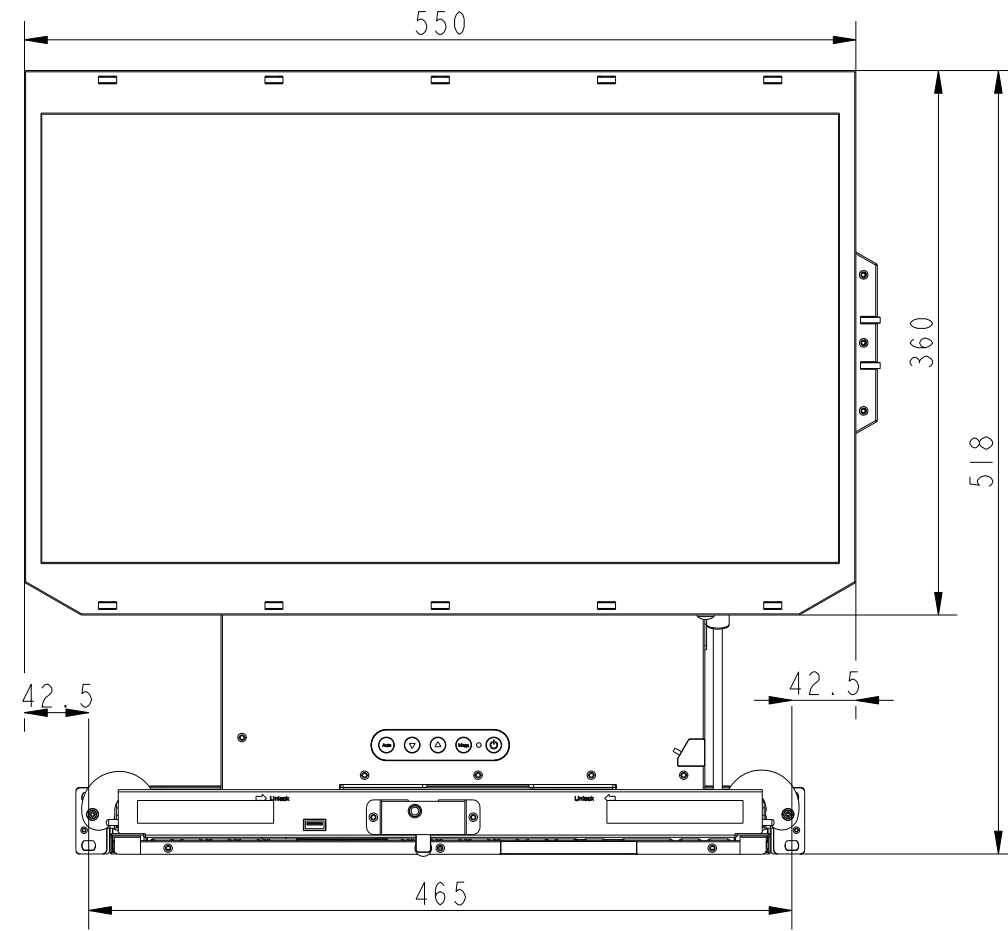


注意：
 1. 所有工件必须倒毛刺 去接刀痕。
 2. 所有线性尺寸按GB1804-M级。
 3. Finish: Coating (Spec. See Sample)

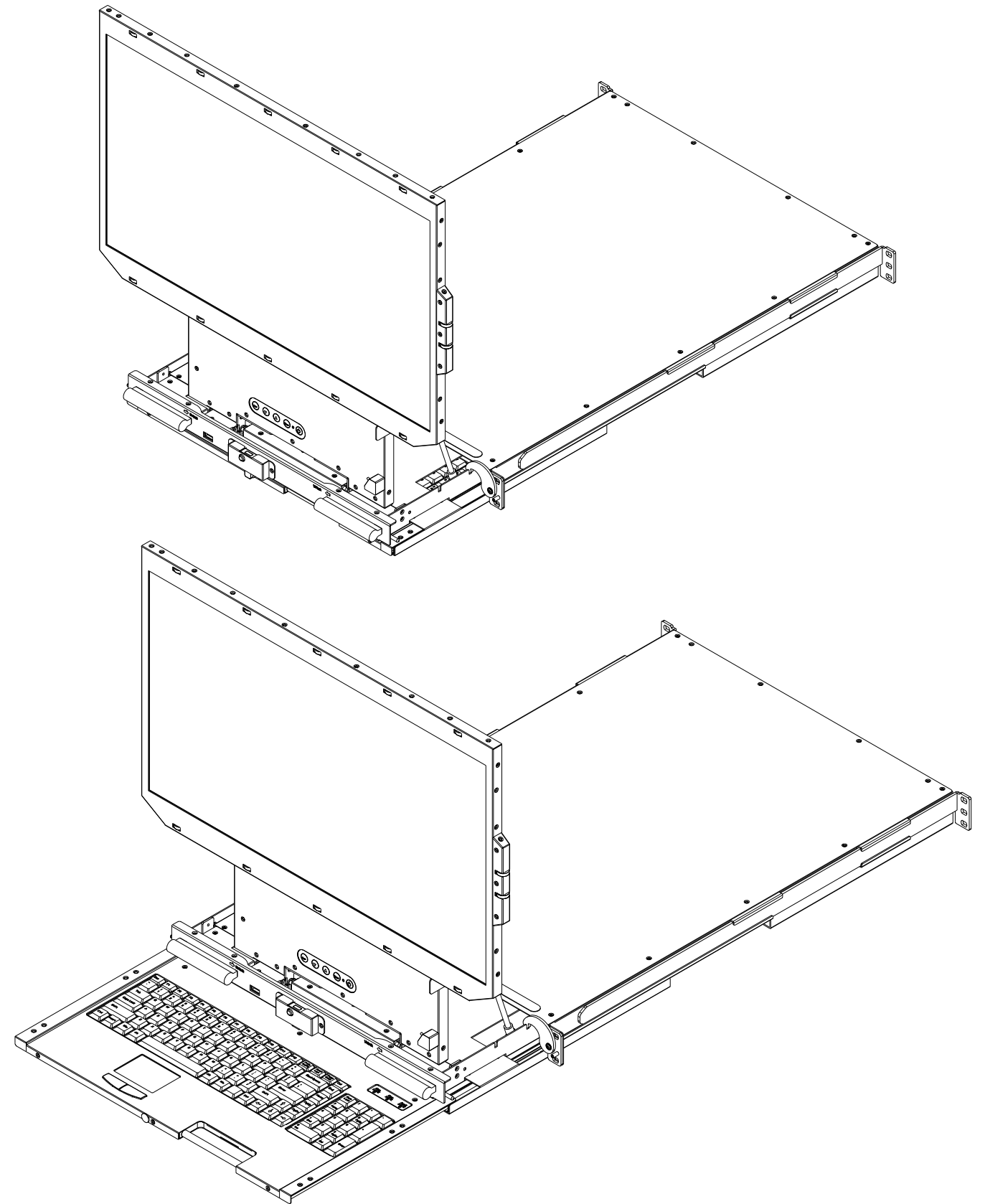
MARK	DESCRIPTION	SING	DATE
△			
△			
△			

毛朝 2		1、绿色面	2、白色面	UNIT : mm		FINISHING	PART NO.	Ver.	A0	
TOL	< 30	: ±0.1		3RD ANGLE'S	MATERIAL	APPROVED	MOLD NO.	Q'ty	/	
	30 < 120	: ±0.15								
	120 < 315	: ±0.2								
	315 <	: ±0.3								
		ANGLE TOL : ±0.5°		APPROVED		TITLE KVMD-2401WPD-M5				
SAIS - Sacasa Industries & Systèmes 8 rue André Marie Ampère 28500 Vernouillet - France 09 70 440 600 - (+ 33) 970 440 600 https://clavier-ecran-rackable.fr contact@sacasa.info						CHECKED	DRAWING NO.			△
						DESIGNED	Fandy	2024-1-24	SIZE A3 SCALE 1:5 SHEET: 2 OF 2	
						DRAWN				



注意:

1. 所有工件必须倒毛刺 去接刀痕。
2. 所有线性尺寸按GB1804-M级。
3. Finish: Coating (Spec. See Sample)



毛朝 2		1、绿色面	2、白色面							
TOL	< 30	: ±0.1	UNIT : mm	FINISHING		PART NO.		Ver.	A0	
	30 < 120	: ±0.15	3RD ANGLE'S	MATERIAL		MOLD NO.		Q'ty	/	
	120 < 315	: ±0.2		APPROVED		TITLE KVMD-2401WPD-M5				
	315 <	: ±0.3		CHECKED						
ANGLE TOL	: ±0.5°	DESIGNED		Fandy	2024-1-24	DRAWING NO.				
SAIS - Sacasa Industries & Systèmes 8 rue André Marie Ampère 28500 Vernouillet - France 09 70 440 600 - (+33) 970 440 600 http://clavier-ecran-rackable.fr contact@sacasa.info				DRAWN		SIZE	A3	SCALE	1:5	SHEET: 2 OF 2

MARK	DESCRIPTION	SING	DATE
△			
△			
△			