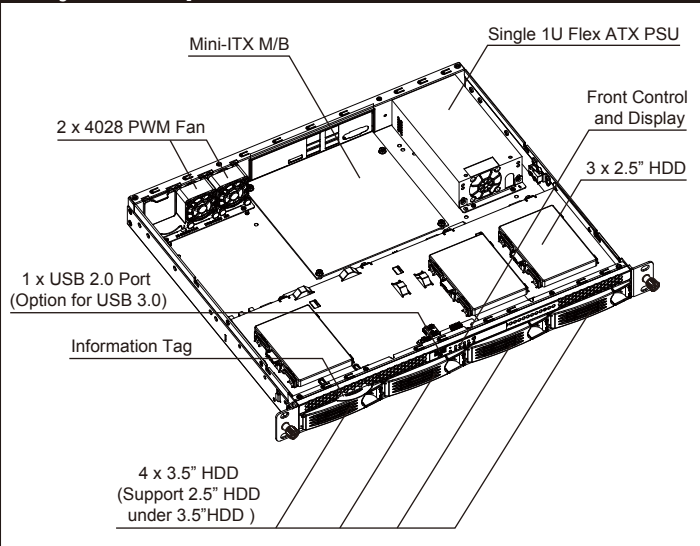
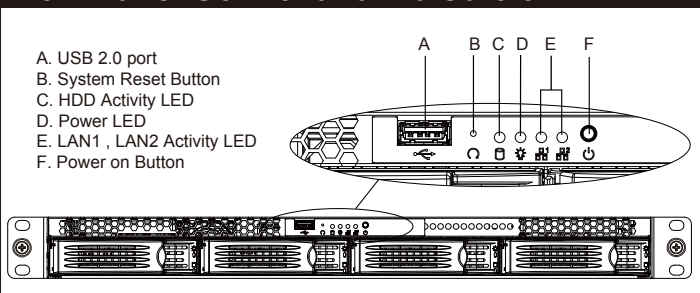


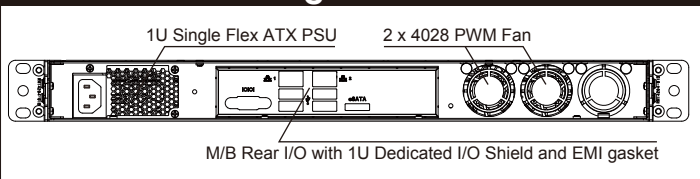
Major Components



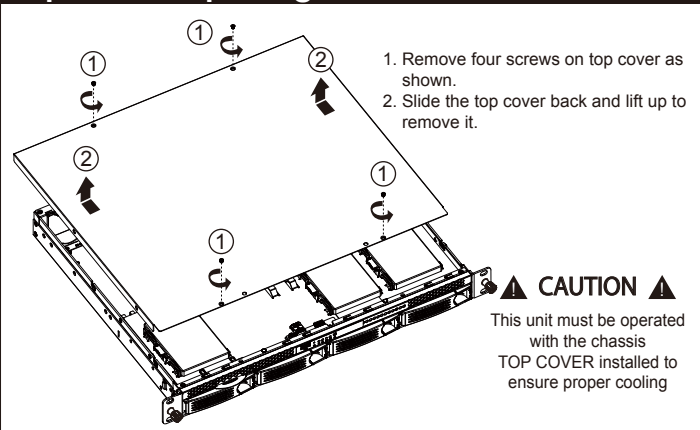
Front Panel Control and Indicators



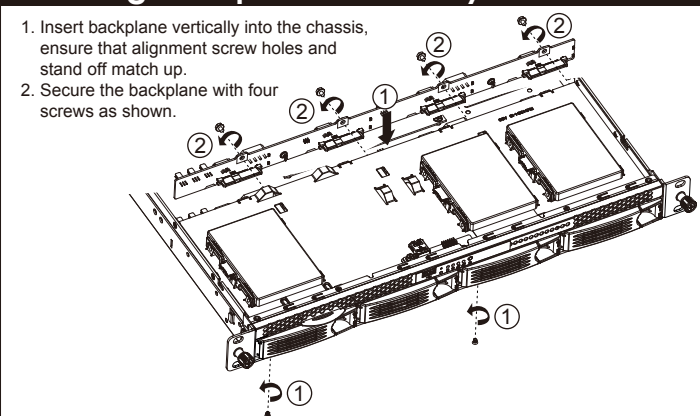
Rear Window Configuration



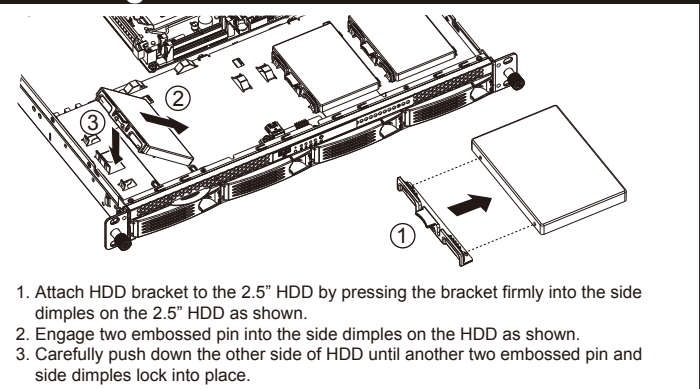
Top Cover Opening



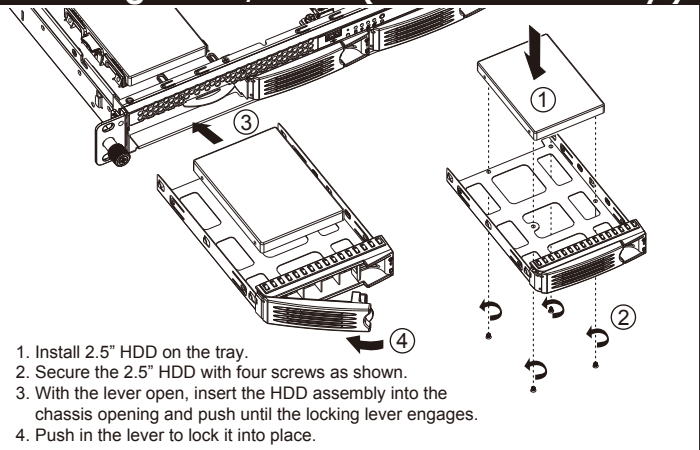
Installing Backplane Assembly



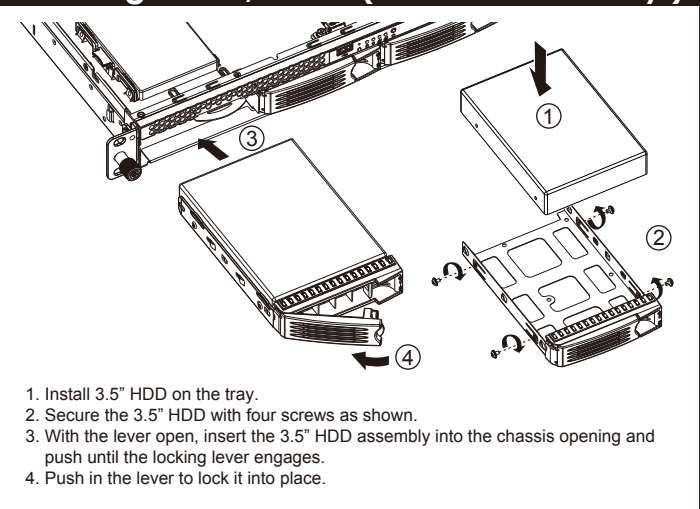
Installing 2.5" Internal HDD



Installing 2.5" H/S HDD (Tool-less HDD Tray)



Installing 3.5" H/S HDD (Tool-less HDD Tray)



Installing Power Supply

